

TELEPHONE SETS

881A105, 881A106, 881A107, 881A108, 881B105, 881B106, 881B107, AND 881B108

1. GENERAL

1.01 This section provides identification, installation, and connection information for the DESIGN LINE* telephone sets (*Candlestick***) (Fig. 1).

*Trademark AT&TCo.

**Registered Trademark of American Telecommunication Corporation.

Warning: Telephone apparatus or wiring shall not be installed in location where minimum separation from other wiring as specified in Section 460-300-149 cannot be maintained.

1.02 This section is reissued to:

- Add information for the 881B105, 106, 107, and 108 modular telephone sets
- Change Fig. 7 and 8
- Add Fig. 9 and 10.

1.03 The customer's premises must be properly wired with an appropriate connecting block or jack in order to accept the D4BU-29 plug-ended mounting cord or 225A adapter furnished with each telephone set.

2. IDENTIFICATION

2.01 The 881A105, 881A106, 881A107, and 881A108 (rotary dial) equipped telephone sets are new DESIGN LINE telephone sets being made available to the customer. †The 881B105, 106, 107, and 108 telephone sets, are the (rotary dial) equipped modular telephone sets. ‡ The customer buys the housing from the telephone company and



Fig. 1—881A105 or 881B105 DESIGN LINE Telephone Set

NOTICE

Not for use or disclosure outside the
Bell System except under written agreement

the telephone company retains ownership of the transmission and signaling components. (Fig. 2 and 3).

Ordering Guide (Refer to Table A)

2.02 Basic Telephone Set Ordering Information:

Example: Set, Telephone, 881A105† is a black set equipped with a rotary dial (Fig. 1).

†Refer to Table A for available codes and ordering guide.

2.03 These telephone sets are intended to be used as single line or two-party desk sets and are not recommended for use on four- and eight-party service.

3. INSTALLATION AND CONNECTIONS

3.01 These telephone sets are furnished from the factory fully assembled and wired for bridged ringing. To connect the telephone set, plug the mounting cord into a 625A jack or if the existing jack is a 548A or equivalent, use the 225A adapter furnished with each set.

3.02 The internal connections for the 881A- and 881B-type telephone sets, for nonkey system use, are shown in Fig. 7 and 9.

3.03 Connections for 1A KTS do not require any telephone set modifications and are wired same as Fig. 7.

3.04 Connections for use with 1A1 or 1A2 KTS are shown in Fig. 8 and 10. Table C includes necessary wiring modification required for 1A1 or 1A2 key telephone system use.

3.05 To gain access to the interior of these sets for wiring changes, refer to Part 4.

3.06 Line and Ringer Connections:

- (1) For single line and two-party service, refer to Table B.
- (2) For adjustments and ringer cutoff feature of the P1A ringer, refer to Section 501-259-101.

4. REMOVAL OF TELEPHONE COMPANY-OWNED COMPONENTS

4.01 When it is desired to discontinue telephone service of these DESIGN LINE telephone sets, proceed as follows:

Note: Remove telephone company-owned components that can be easily removed. Refer to Fig. 3 for identification of company-owned components.

- (1) Remove four base mounting screws from the bottom of the telephone set and remove bottom base (Fig. 4).
- (2) Remove one dial frame and two line switch mounting screws from the base and remove dial frame and line switch (Fig. 5).
- (3) Remove one network, two ringer and three dial mounting screws from the base and remove network, ringer and dial (Fig. 6).
- (4) Unscrew transmitter and receiver caps and remove T1 transmitter and U3 receiver units.
- (5) Replace dial frame and base using four screws removed in Step (1), see Fig. 4.

4.02 Follow local procedures for returning telephone company-owned components.

4.03 When it is desired to return a set to Western Electric for repair, it should be packed using the D-180600 Kit of Parts which contains packing materials and instructions.



Fig. 2—Customer-Owned Components

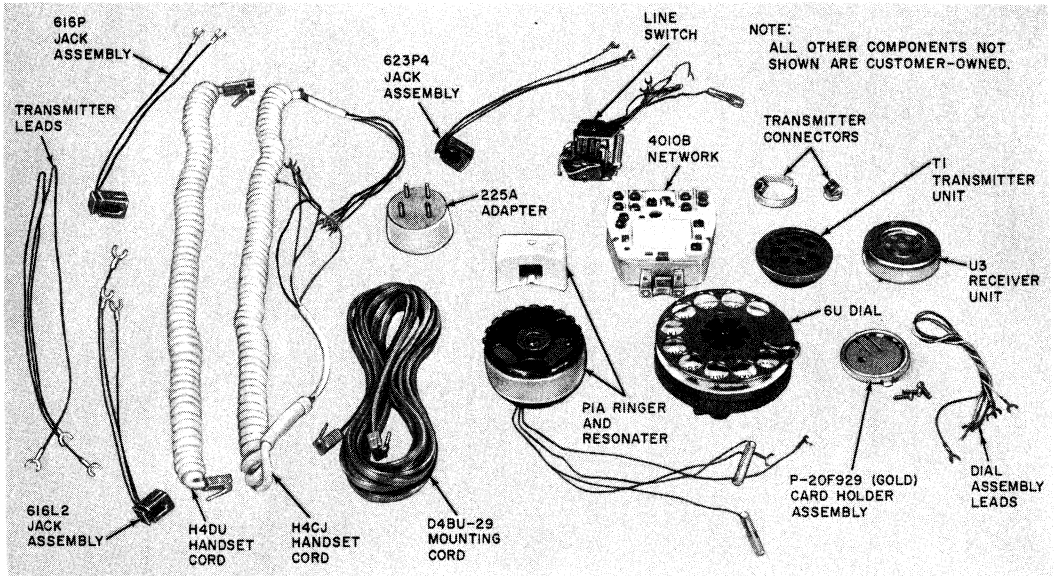


Fig. 3—Telephone Company-Owned Components

◆TABLE A◆
AVAILABLE CODES AND ORDERING GUIDE

TEL SET CODE	DIAL	TRMTR UNIT	RCVR UNIT	MTG CORD	HANDSET CORD	DESCRIPTION
881B105	6U-120 or 6UA-120	T1	U3	D4BU-29	H4DU-03	Rotary Dial Black Candlestick
881B106					H4DU-53	Rotary Dial Red Candlestick
881B107					H4DU-58	Rotary Dial White Candlestick
881B108					H4DU-58	Rotary Dial Stars and Stripes Candlestick
881A105*	6U-120	T1	U3	D4BU-29	H4CJ-03	Rotary Dial Black Candlestick
881A106*					H4CJ-53	Rotary Dial Red Candlestick
881A107*					H4CJ-58	Rotary Dial White Candlestick
881A108*					H4CJ-58	Rotary Dial Stars and Stripes Candlestick

*MD

TABLE B
LINE AND RINGER CONNECTIONS †

WIRE OR LEAD	COLOR	INDIVID. OR BRIDGED	RING PARTY	TIP PARTY		
				NO IDENT GROUND	IDENTIFYING GROUND	
					1000Ω	2650Ω
Inside Wire at Jack	R	R	R	R	R	R
	G	G	G	G	G	G
	Y	Y	Y	Y	Y	Y
	BK	B	B	B	B	B
623P4 Line Jack Assy	R	A	A	L1	F	F
	G	L1	L1	A	L2	L2
	Y	G	G	G	G	G
	BK	L2	L2	L2	*	*
Ringer	R	K	K	K	K	K
	S-R	*	*	*	*	L1
	S	*	*	*	L1	*
	BK	L1	G	G	G	G
Line Switch	Y	A	A	A	L2	L2
	W	F	F	F	B	B

* Insulated and stored.

† For access to set wiring follow applicable steps in Part 4.

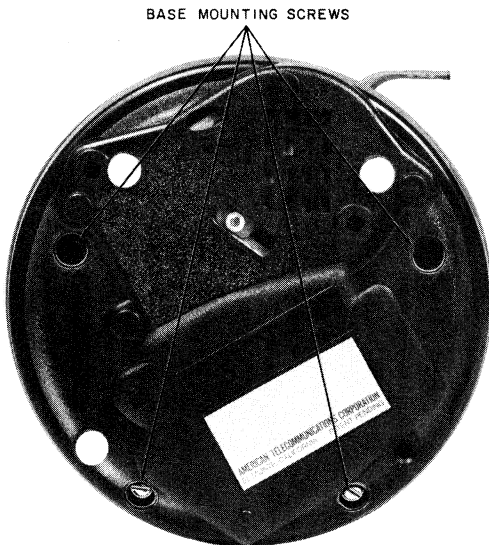


TABLE C
MODIFICATIONS FOR 1A1 OR 1A2 KTS *

LEAD	COLOR	NETWORK TERMINAL	
		REMOVE FROM	CONNECT TO
Line Switch	S	A	L2
	Y	A	L2
	BR	C	G
	G	L1	A
	W	F	C
623P4 Line Jack Assy	G	L1	F
Ringer	BK	L1	F

* For access to telephone set wiring follow applicable steps in Part 4.

Fig. 4—881A105, 881A106, 881A107, or 881A108 Telephone Set, Bottom View

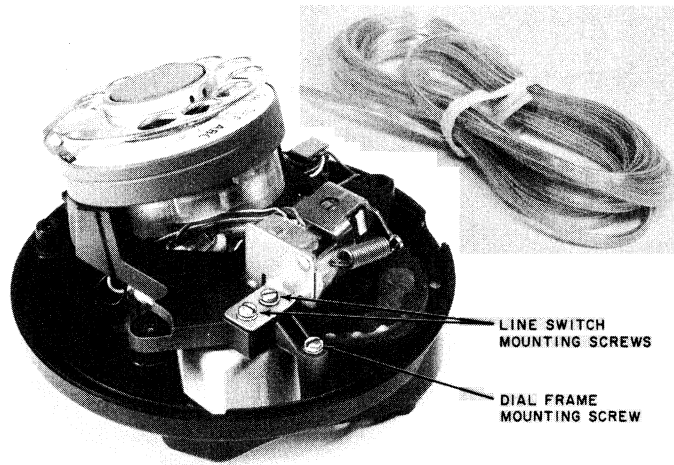


Fig. 5—Removing Line Switch and Dial Mounting Frame

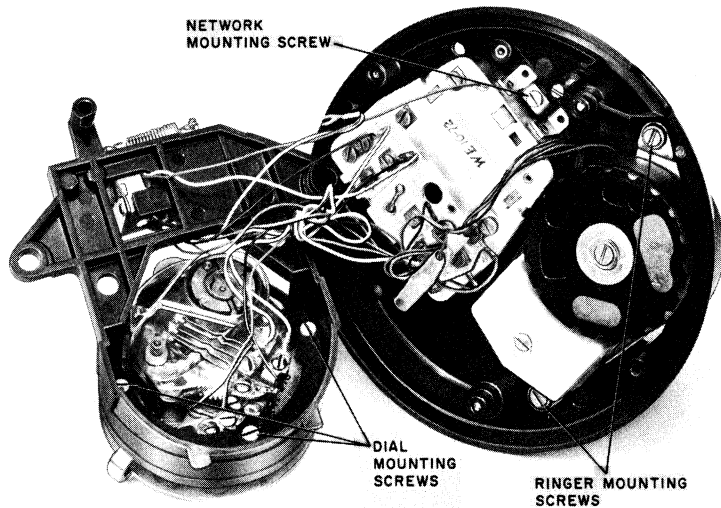
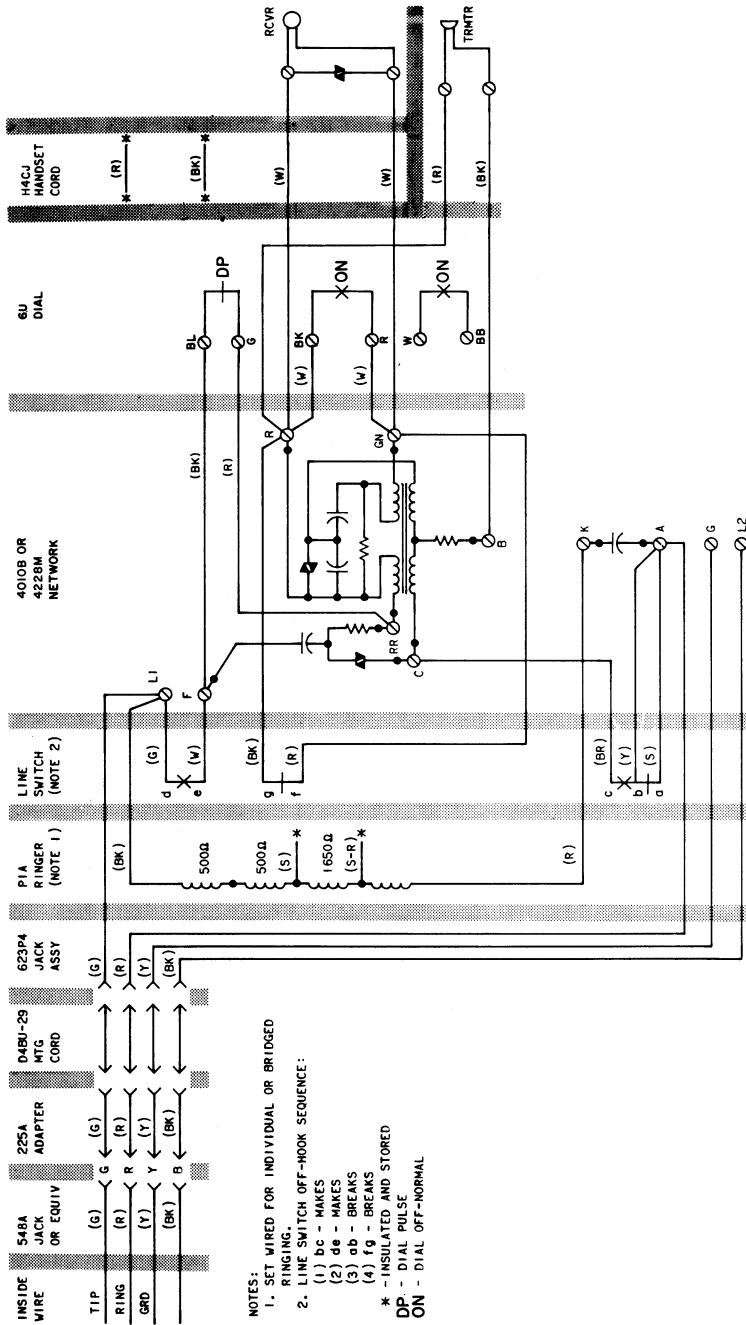
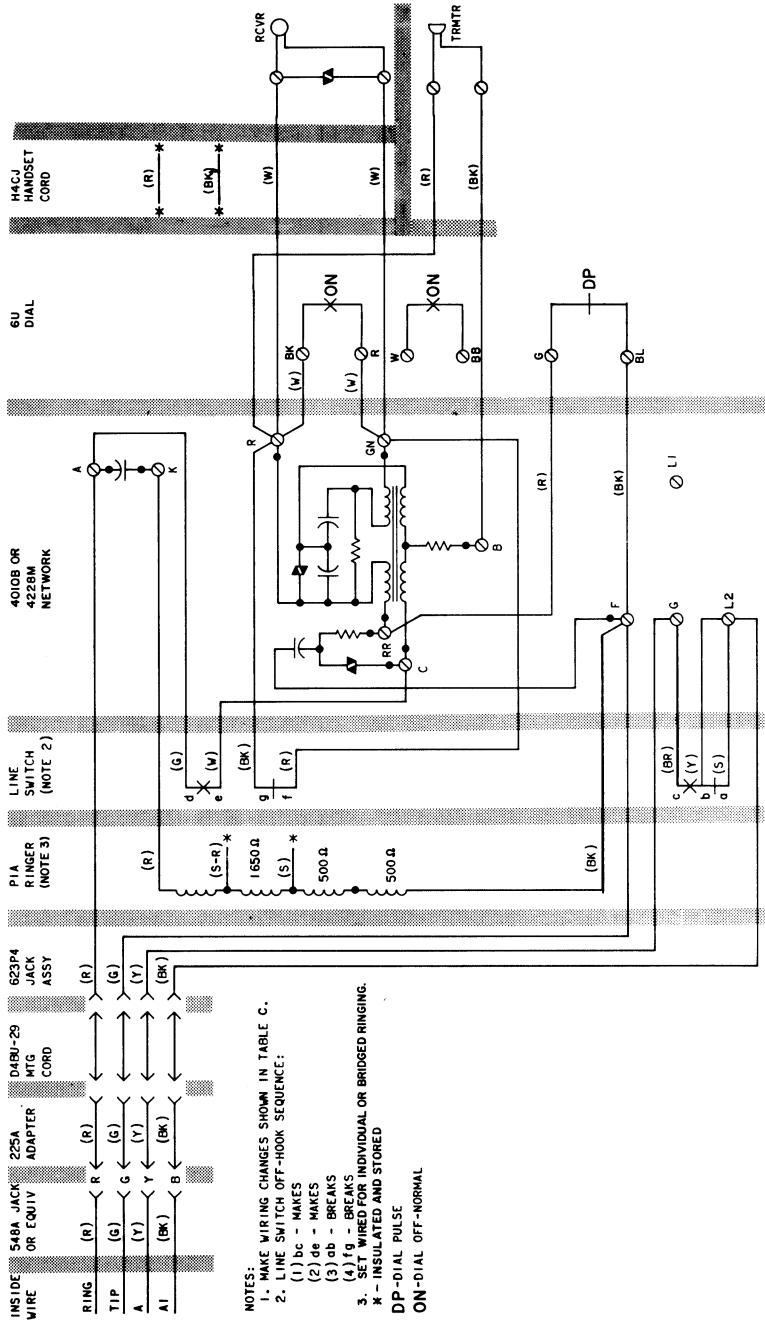


Fig. 6—Removing Dial, Network, and Ringer



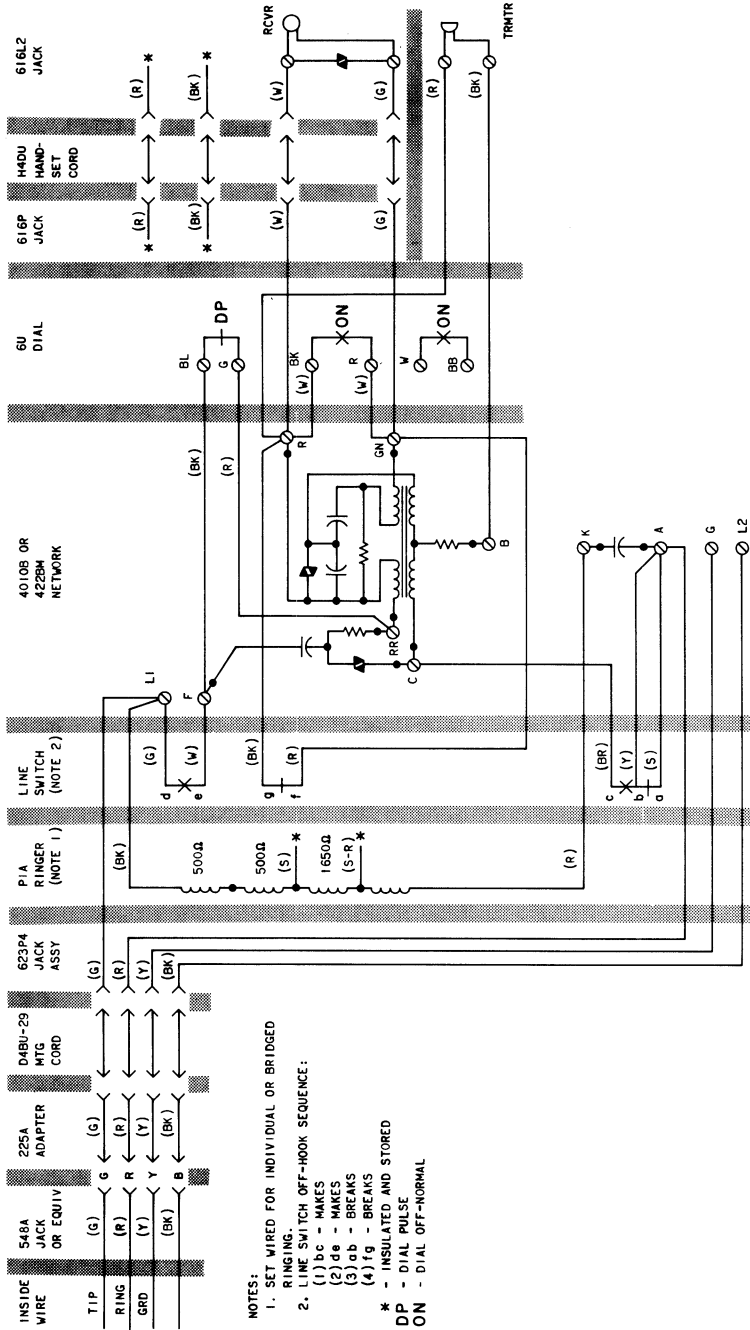
- NOTES:
1. SET WIRED FOR INDIVIDUAL OR BRIDGED RINGING.
 2. LINE SWITCH OFF-HOOK SEQUENCE:
 - (1) bc - MAKES
 - (2) ab - MAKES
 - (3) cd - BREAKS
 - (4) fg - BREAKS
- * - INSULATED AND STORED
 DP - DIAL PULSE
 ON - DIAL OFF-NORMAL

Fig. 7—881A105, 881A106, 881A107, or 881A108 Telephone Set, Connections



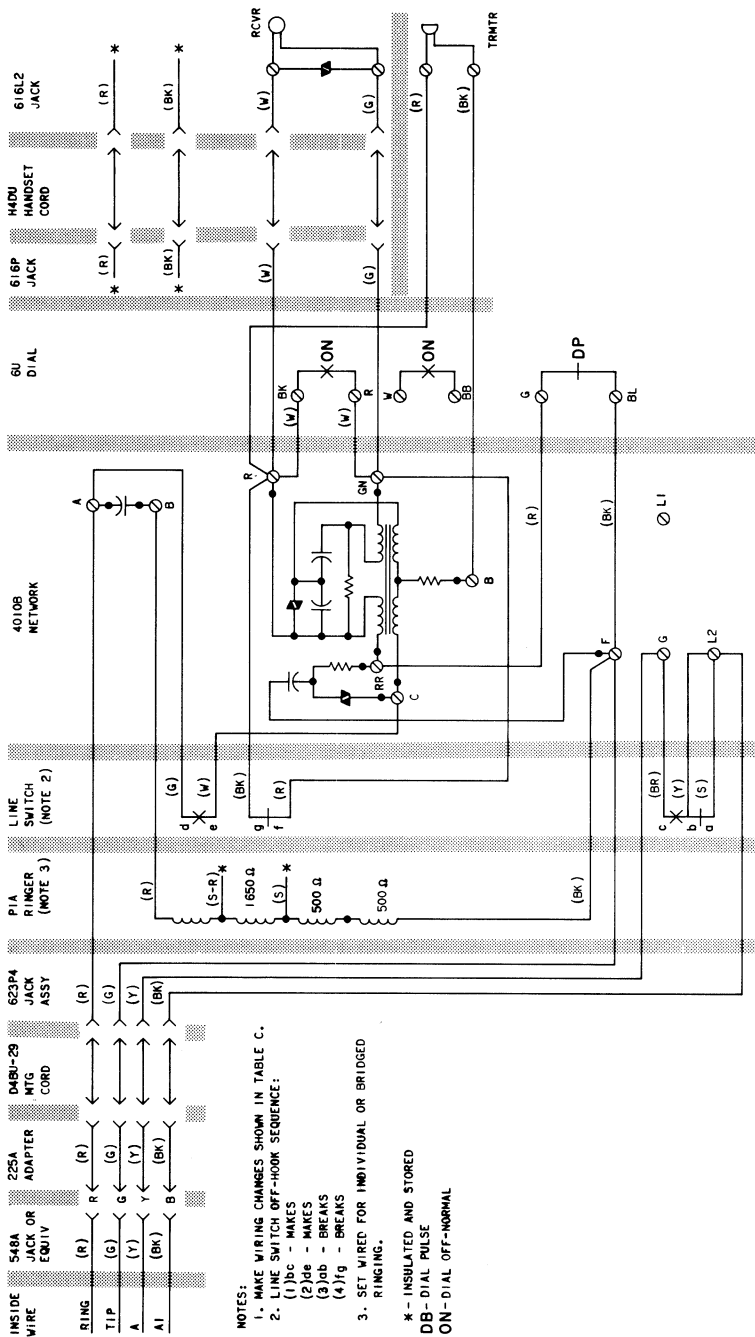
- NOTES:
1. MAKE WIRING CHANGES SHOWN IN TABLE C.
 2. LINE SWITCH OFF-HOOK SEQUENCE:
 - (1) bc - MAKES
 - (2) de - MAKES
 - (3) ab - BREAKS
 - (4) fg - BREAKS
 3. SET WIRED FOR INDIVIDUAL OR BRIDGED RINGING.
- * - INSULATED AND STORED
 DP - DIAL PULSE
 ON - DIAL OFF-NORMAL

Fig. 8—881A105, 881A106, 881A107, or 881A108 Telephone Set Wired for 1A1 or 1A2 KTS



- NOTES:
1. SET WIRED FOR INDIVIDUAL OR BRIDGED RINGING.
 2. LINE SWITCH OFF-HOOK SEQUENCE:
 - (1) bc - MAKES
 - (2) de - MAKES
 - (3) ab - BREAKS
 - (4) fg - BREAKS
- * - INSULATED AND STORED
 DP - DIAL PULSE
 ON - DIAL OFF-NORMAL

Fig. 9—881B105, 881B106, 881B107, or 881B108 Telephone Set, Connections



- NOTES:
1. MAKE WIRING CHANGES SHOWN IN TABLE C.
 2. LINE SWITCH OFF-HOOK SEQUENCE:
 (1) DC - MAKES
 (2) DC - MAKES
 (3) DB - BREAKS
 (4) LG - BREAKS
 3. SET WIRED FOR INDIVIDUAL OR BRIDGED RINGING.

* - INSULATED AND STORED
 DB - DIAL PULSE
 ON - DIAL OFF-NORMAL

Fig. 10—881B105, 881B106, 881B107, or 881B108 Telephone Set Wired for 1A1 or 1A2 KTS