

SERVICE
702B AND 702BM TELEPHONE SETS
CONNECTIONS

1. GENERAL

1.01 This section contains information on the 702B (MD) and 702BM telephone sets (Fig. 1, 2, and 3).

1.02 The reasons for reissuing this section are listed below. Revision arrows are used to emphasize the more significant changes.

- Revise grounding information (Note 1, Fig. 1 and 2)

- Show new line switch contacts (d', e') in Fig. 2

- Add D-181059 Kit of Parts (dial illumination, Fig. 3).

1.03 Refer to Tables A, B, and C for line and ringer connections.

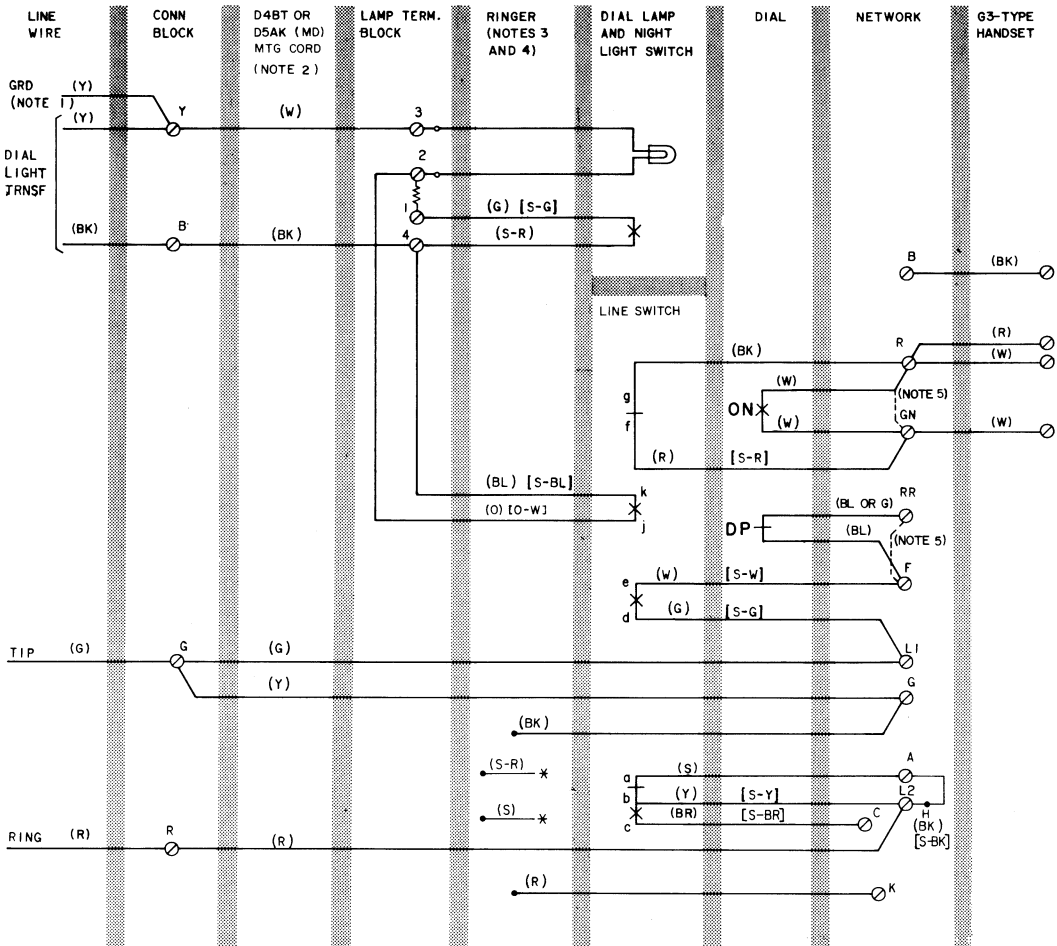
1.04 Figure 4 or 5 indicates the termination of the D4BT mounting cord in sets equipped with 4010- or 4228-type networks, respectively.

1.05 Refer to Section 501-320-100 if conversion to four- or eight-party ringing is required.

NOTICE

Not for use or disclosure outside the
Bell System except under written agreement

SECTION 502-721-402

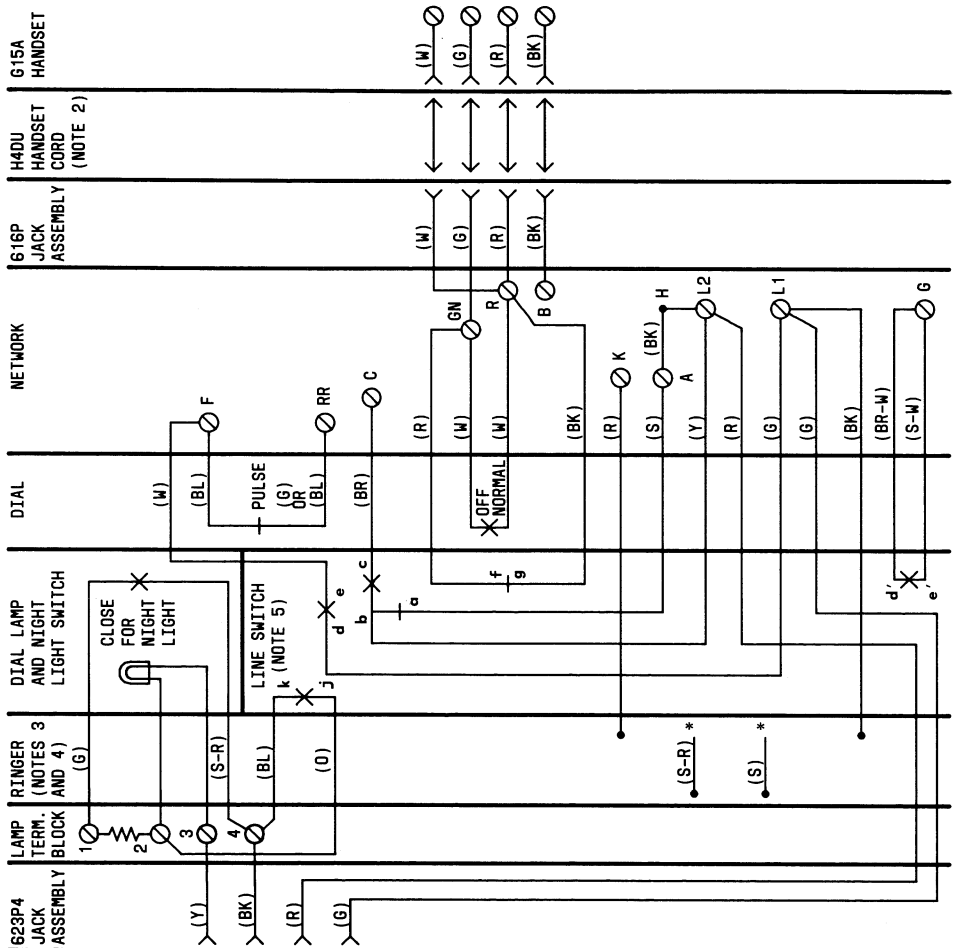


NOTES:

1. INSIDE WIRE CONDUCTOR SHALL BE CONNECTED TO THE GROUND TERMINAL AT THE PROTECTOR OR EQUIVALENT ONLY IF REQUIRED FOR SERVICE BEING INSTALLED.
2. CONNECTIONS SHOWN FOR D5AK MOUNTING CORD. IF D4BT MOUNTING CORD IS USED, REFER TO TABLE B.
3. WIRED FOR BRIDGED RINGING, SEE TABLE A OR B FOR OTHER CLASSES OF SERVICE.
4. TO SILENCE RINGER PERMANENTLY REFER TO THE APPROPRIATE RINGER SECTION IN DIVISION 501.
5. DASHED LINES INDICATE MANUAL SET CONNECTIONS.

() CURRENT COLOR CODE
 [] MD COLOR CODE
 * INSULATED AND STORED
 DP- DIAL PULSE
 ON- OFF NORMAL

Fig. 1—702B (MD) Telephone Set, Connections



- NOTES:
1. INSIDE WIRING CONDUCTOR SHALL BE CONNECTED TO THE GROUND TERMINAL AT THE PROTECTOR OR EQUIVALENT ONLY IF REQUIRED FOR SERVICE BEING INSTALLED.
 2. ORDERED SEPARATELY.
 3. SET IS FACTORY WIRED FOR BRIDGED SERVICE. FOR OTHER CLASSES OF SERVICE SEE TABLE C.
 4. TO SILENCE RINGER PERMANENTLY REFER TO THE APPROPRIATE RINGER SECTION IN DIVISION 501.
 5. CURRENT PRODUCTION SETS HAVE CONTACTS d', e', AND ASSOCIATED (BR-W) AND (S-W) LEADS.

* INSULATED AND STORED

Fig. 2.—702BM Telephone Set, Connections

NOTES:

1. P/O D-181059 KIT OF PARTS.
2. INSIDE WIRE CONDUCTOR SHALL BE CONNECTED TO THE GROUND TERMINAL AT THE PROTECTOR OR EQUIVALENT ONLY IF REQUIRED FOR SERVICE BEING INSTALLED.
3. CORD FROM TELEPHONE SET AND TRANSFORMER CAN BE PLUGGED INTO EITHER JACK OF 338A ADAPTER.
4. ORDERED SEPARATELY.
5. SET IS FACTORY WIRED FOR BRIDGED SERVICE. FOR OTHER CLASSES OF SERVICE SEE TABLE C.
6. TO SILENCE RINGER PERMANENTLY REFER TO THE APPROPRIATE RINGER SECTION IN DIVISION 501.
7. CURRENT PRODUCTION SETS HAVE CONTACTS d', e' AND ASSOCIATED (BR-W) AND (S-W) LEADS.

* INSULATED AND STORED.

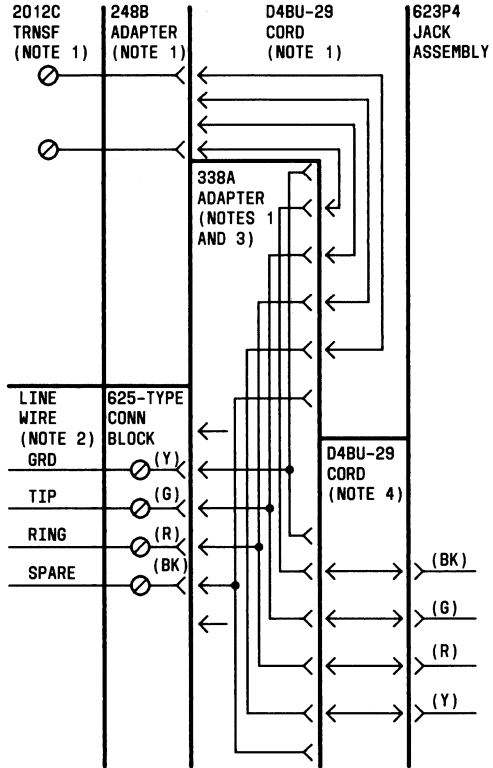


Fig. 3— Φ 702BM Telephone Set, Connections Using D-181059 Kit of Parts (Sheet 1 of 2) Φ

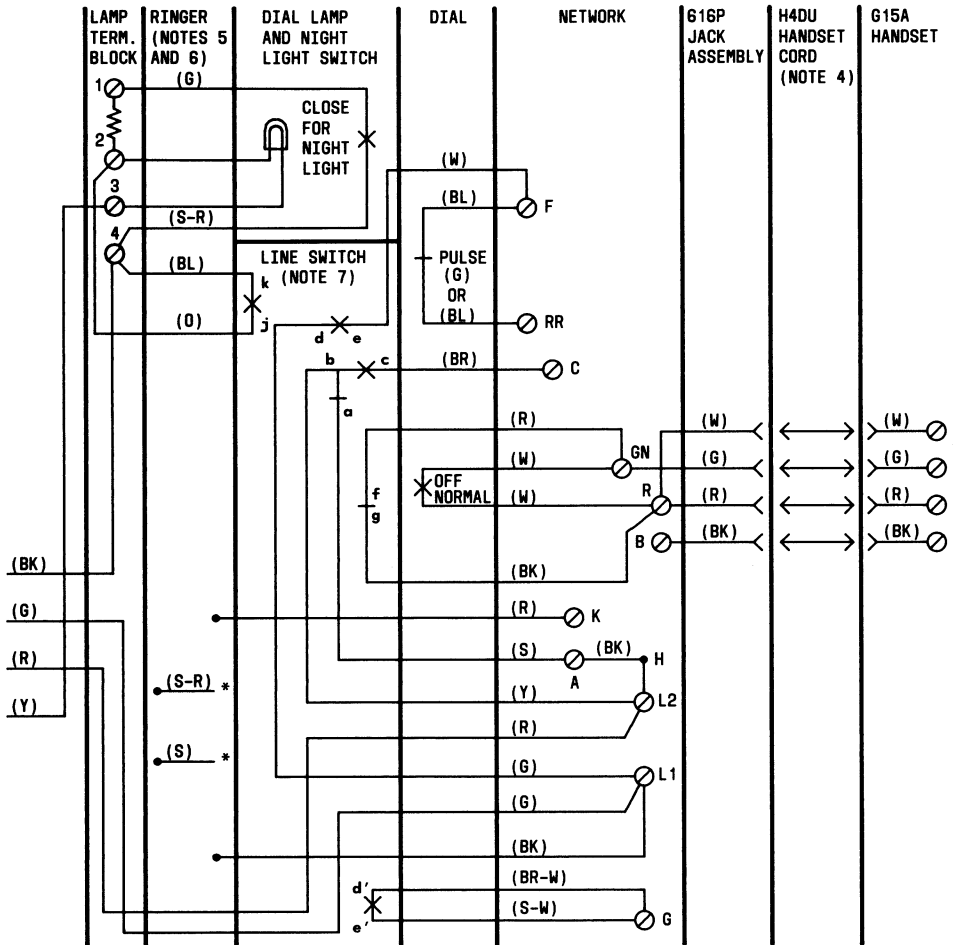


Fig. 3—702BM Telephone Set, Connections Using D-181059 Kit of Parts (Sheet 2 of 2)†

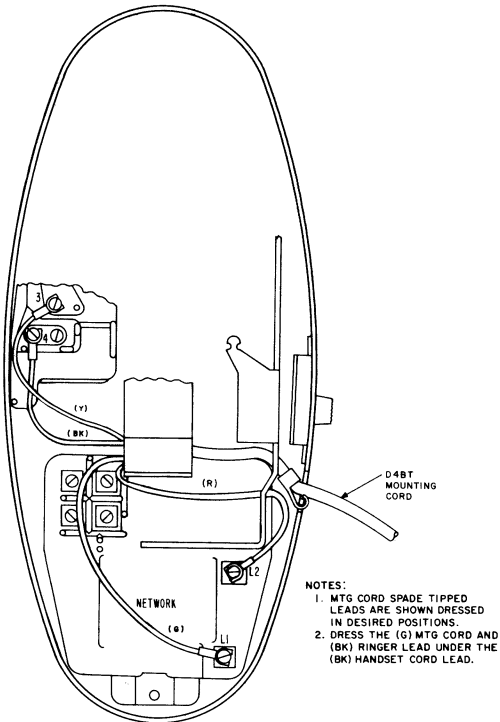


Fig. 4—Method of Terminating D4BT Mounting Cord on Sets With 4010-Type Network (See Notes 1 and 2)

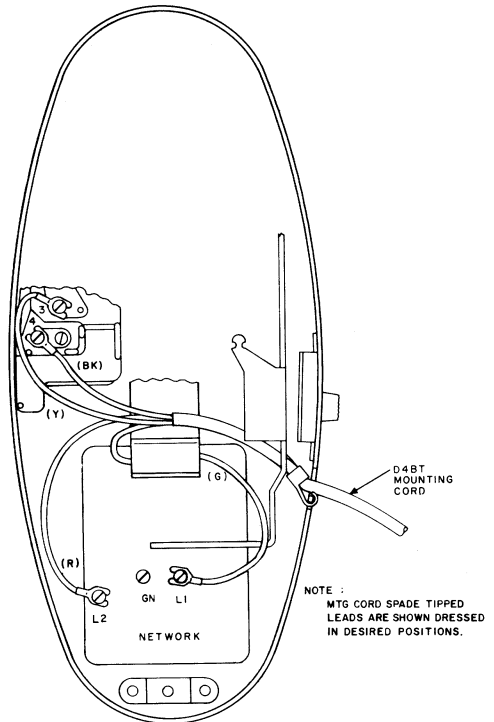


Fig. 5—Method of Terminating D4BT Mounting Cord on Sets With 4228-Type Network (See Note)

TABLE A
LINE AND RINGER CONNECTIONS
702B (MD) TELEPHONE SET WITH D5AK (MD) MOUNTING CORD

WIRE OR LEAD		INDIVIDUAL OR BRIDGED ‡	RING PARTY ‡	TIP PARTY		
				NO IDENT GRD	IDENTIFYING GROUND	
					1000 OHMS	2650 OHMS
Inside Wire at Conn Block	Ring	R	R	R	R	R
	Tip	G	G	G	G	G
	Grd	Y	Y	Y	Y	Y
Dial Light Transformer	1	Y	Y	Y	Y	Y
	2	B	B	B	B	B
D5AK Mtg Cord at Conn Block	(R)	R	R	G	G	G
	(G)	G	G	R	R	R
	(Y)	G	Y	Y	Y	Y
	(BK)	B	B	B	B	B
	(W)	Y	Y	Y	Y	Y
D5AK Mtg Cord at Set Terminals (Note 2)	(R)	L2	L2	L2	L2	L2
	(G)	L1	L1	L1	F	F
	(Y)	G	G	G	G	G
	(BK)	4†	4†	4†	4†	4†
	(W)	3†	3†	3†	3†	3†
Ringer Leads (Note 1)	(R)	K	K	K	K	K
	(BK)	G	G	G	G	G
	(S)	*	*	*	L1	*
	(S-R)	*	*	*	*	L1
Line Switch	(W)	F	F	F	B	B
Strap from H	(BK)	A	A	A	*	*

Note 1: To silence ringer for all classes of service, refer to the appropriate ringer section in Division 501.

Note 2: When connecting the D5AK mounting cord leads for tip party identifying ground, use D-161488 connectors and M1W straps as required to extend conductor leads.

- * Insulated and stored.
- † Terminals on lamp terminal block.
- ‡ Factory-wired for bridged or ring party

TABLE B
LINE AND RINGER CONNECTIONS
702B (MD) TELEPHONE SET WITH D4BT MOUNTING CORD

WIRE OR LEAD		INDIVIDUAL OR BRIDGED	RING PARTY	TIP PARTY		
				NO IDENT GRD	IDENTIFYING GROUND	
					1000 OHMS	2650 OHMS
Inside Wire at Conn Block	Ring	R	R	R	R	R
	Tip	G	G	G	G	G
	Grd	Y	Y	Y	Y	Y
Dial Light Transformer	1	Y	Y	Y	Y	Y
	2	B	B	B	B	B
D4BT Mtg Cord at Conn Block	(R)	R	R	G	G	G
	(G)	G	G	R	R	R
	(Y)	Y	Y	Y	Y	Y
	(BK)	B	B	B	B	B
D4BT Mtg Cord at Set Terminals	(R)	L2	L2	L2	L2	L2
	(G)	L1	L1	L1	F	F
	(Y)	3†	3†	3†	3†	3†
	(BK)	4†	4†	4†	4†	4†
Ringer Leads (Note)	(R)	K	K	K	K	K
	(BK)	L1	3†	3†	3†	3†
	(S)	*	*	*	L1	*
	(S-R)	*	*	*	*	L1
Line Switch	(W)	F	F	F	B	B
Strap from H	(BK)	A	A	A	*	*

Note: To silence ringer for all classes of service, refer to the appropriate ringer section in Division 501.

* Insulated and stored.

† Terminals on lamp terminal block.

TABLE C
702BM TELEPHONE SET LINE AND RINGER CONNECTIONS

WIRE OR LEAD		INDIVIDUAL OR BRIDGED (NOTE 3)	RING PARTY	TIP PARTY		
				NO IDENT GRD	IDENTIFYING GROUND (NOTE 1)	
					1000 OHMS	2650 OHMS
Dial Light Transformer	1	Y	Y	Y	Y	Y
	2	B	B	B	B	B
623P4 Jack Assembly in Set	(R)	L2	L2	L1	F	F
	(G)	L1	L1	L2	L2	L2
	(BK)	4†	4†	4†	4†	4†
	(Y)	3†	3†	3†	3†	3†
Ringer Leads (Note 2)	(R)	K	K	K	K	K
	(BK)	L1	3†	3†	3†	3†
	(S)	*	*	*	L1	*
	(S-R)	*	*	*	*	L1
Line Switch	(W)	F	F	F	B	B
Strap from H of Net.	(BK)	A	A	A	*	*

Notes:

1. For tip party service with identifying ground, remove insulate and store (BK) strap between network terminals A and H.
2. To silence ringer for all classes of service, refer to the appropriate ringer section in Division 501.
3. Sets are factory-wired for bridged service.

*Insulated and stored.

†Terminals on lamp terminal block.