

SERVICE

500C/D AND 500DM TELEPHONE SETS

CONNECTIONS

1. GENERAL

1.01 This section contains information on the 500C/D (MD) and 500DM telephone sets.

1.02 This section is reissued to:

- Show 500C and D telephone sets MD

- Remove information on 500CM telephone set, never manufactured
- Revise Fig. 2 to update information.

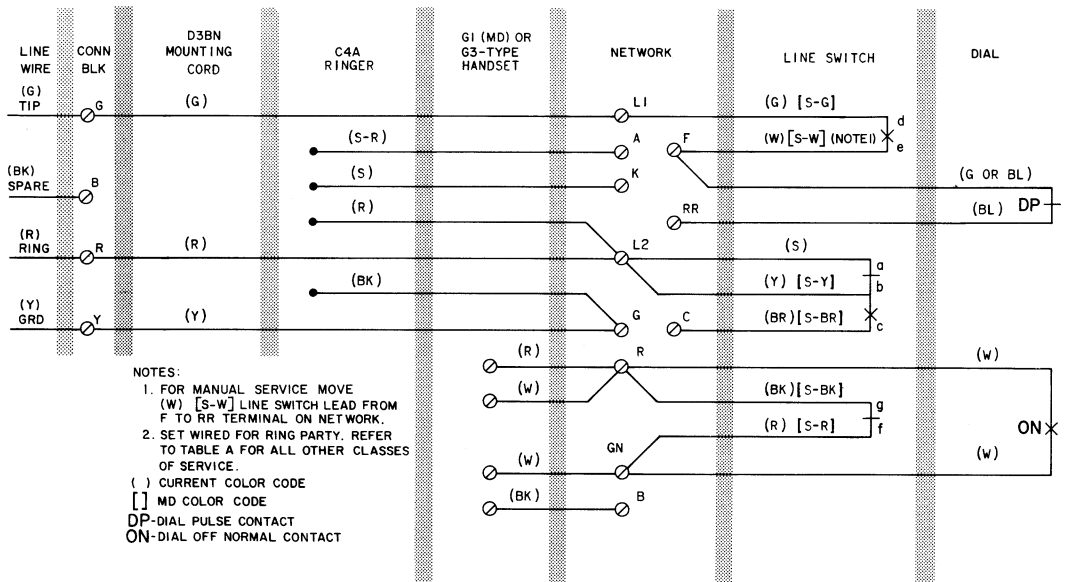


Fig. 1—500C/D (MD) Telephone Set, Connections

NOTICE

Not for use or disclosure outside the Bell System except under written agreement

◆ TABLE A ◆

500C/D (MD) TELEPHONE SET, CONNECTIONS

WIRE OR LEAD	COLOR	INDIV OR BRIDGED	RING PARTY	TIP PARTY NO IDENT GRD	TIP PARTY IDENT	
					1000Ω	2650Ω
Ringer Leads (See Note)	R	L2	L2	L2	K	B
	BK	G	G	G	G	B
	S	K	K	K	B	K
	S-R	A	A	A	B	G
Line Switch	S	L2	L2	L2	A	A
Mounting Cord at Conn Block	R	R	R	G	G	G
	G	G	G	R	R	R
	Y	G	Y	Y	Y	Y

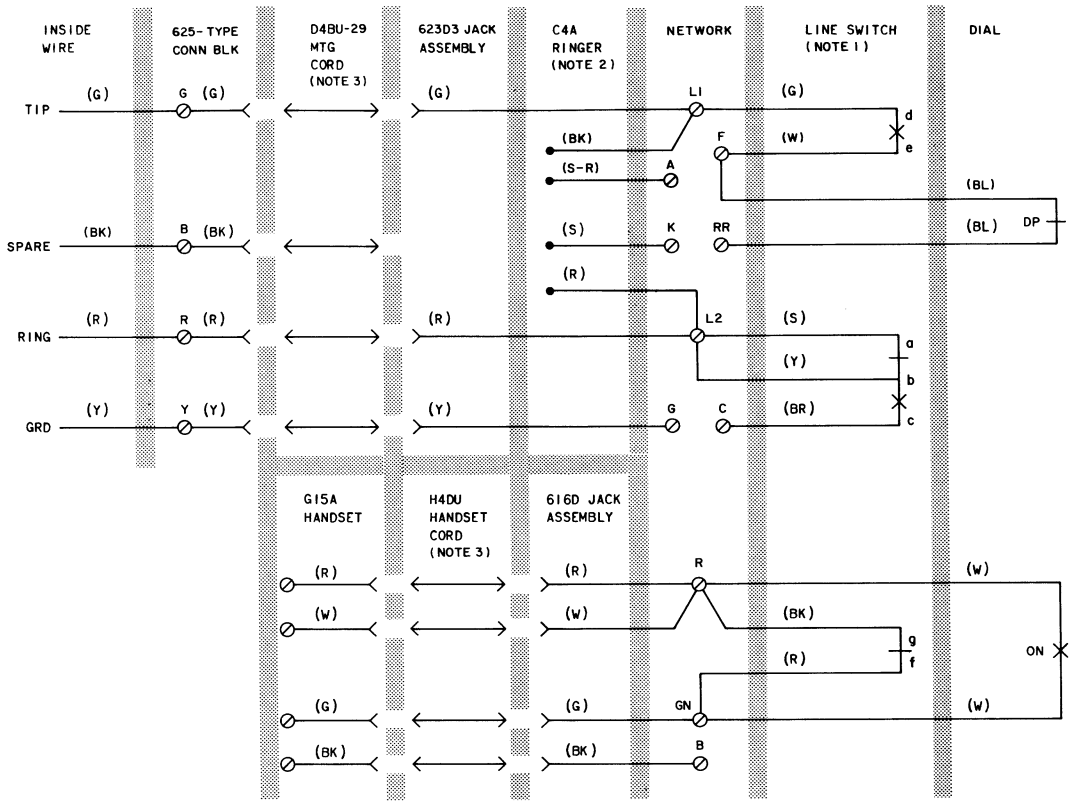
Note: To silence ringer for all classes of service, refer to Section 501-250-303.

◆ TABLE B ◆

500DM TELEPHONE SET LINE AND RINGER CONNECTIONS

WIRE OR LEAD	COLOR	INDIV OR BRIDGED	RING PARTY	TIP PARTY NO IDENT GRD	TIP PARTY IDENT GRD			
					NORMAL CONN		WHEN CONN TO L.L. EQUIP	
					1000Ω	2650Ω	1000Ω	2650Ω
Ringer Leads (See Note)	R	L2	L2	L1	K	B	B	G
	BK	L1	G	G	G	B	B	K
	S	K	K	K	B	K	G	B
	S-R	A	A	A	B	G	K	B
Line Switch Lead	S	L2	L2	L2	A	A	A	A
623D3 Jack Assembly in Set	R	L2	L2	L2	L1	L1	L1	L1
	G	L1	L1	L1	L2	L2	L2	L2
	Y	G	G	G	G	G	G	G

Note: To silence ringer for all classes of service, refer to Section 501-250-303.



NOTES:

1. FOR MANUAL SERVICE, MOVE (W) LINE SWITCH LEAD FROM F TO RR TERMINAL ON NETWORK.
2. SET FACTORY WIRED FOR INDIVIDUAL OR BRIDGED RINGING. SEE TABLE B FOR OTHER CLASSES OF SERVICE.
3. MUST BE ORDERED SEPARATELY.

DP - DIAL PULSE CONTACT
 ON - DIAL OFF-NORMAL CONTACT

Fig. 2—500DM Telephone Set, Connections