

PARTS MANUAL

Model

**RGV7500
GENERATOR**

PUB-GP1292
Rev. 12/99

GROUP INDEX

Group Name	Page
GENERATOR - RGV7500	4
PIPE FRAME -RECOIL START	6
PIPE FRAME - ELECTRIC START	8
CONTROL BOX	10
FUEL TANK.....	14
MUFFLER	16
CRANKCASE GROUP	18
CRANKSHAFT and PISTON GROUP	20
INTAKE and EXHAUST	22
GOVERNOR, OPERATE GROUP	24
COOLING and STARTING GROUP	26
FUEL, LUBRICANT GROUP	28
ELECTRIC DEVICE GROUP	30
STARTING MOTOR GROUP	32
SOLENOID GROUP	34

Robin America, Inc.

940 Lively Blvd. • Wood Dale, IL 60191 • Phone: 630-350-8200 • Fax: 630-350-8212
e-mail: sales@robinamerica.com • www.robinamerica.com

© Copyright 1999 Robin America, Inc.

FIG. 1 GENERATOR - RGV7500

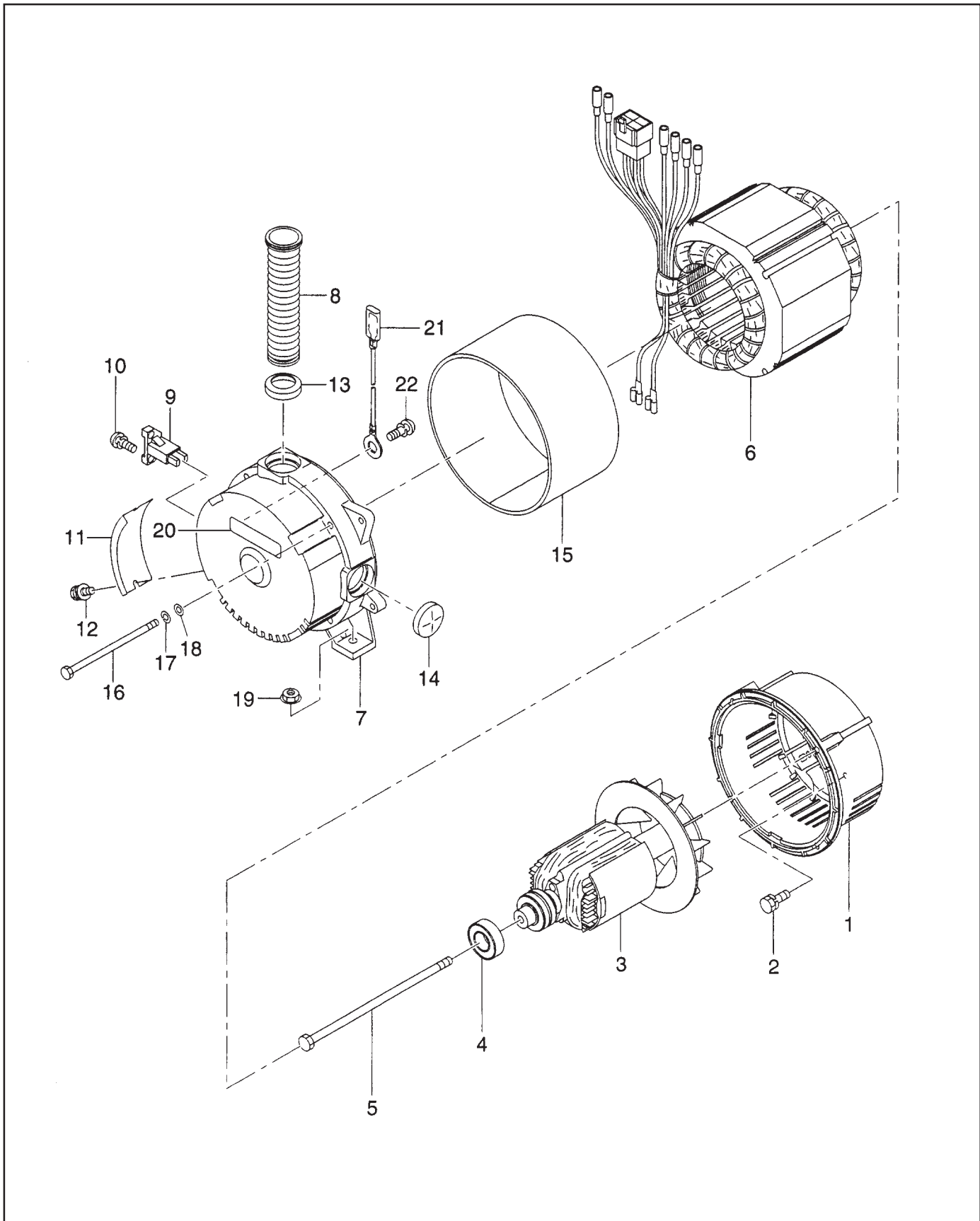


FIG. 2-1 PIPE FRAME (For Recoil starter type) - RGV7500

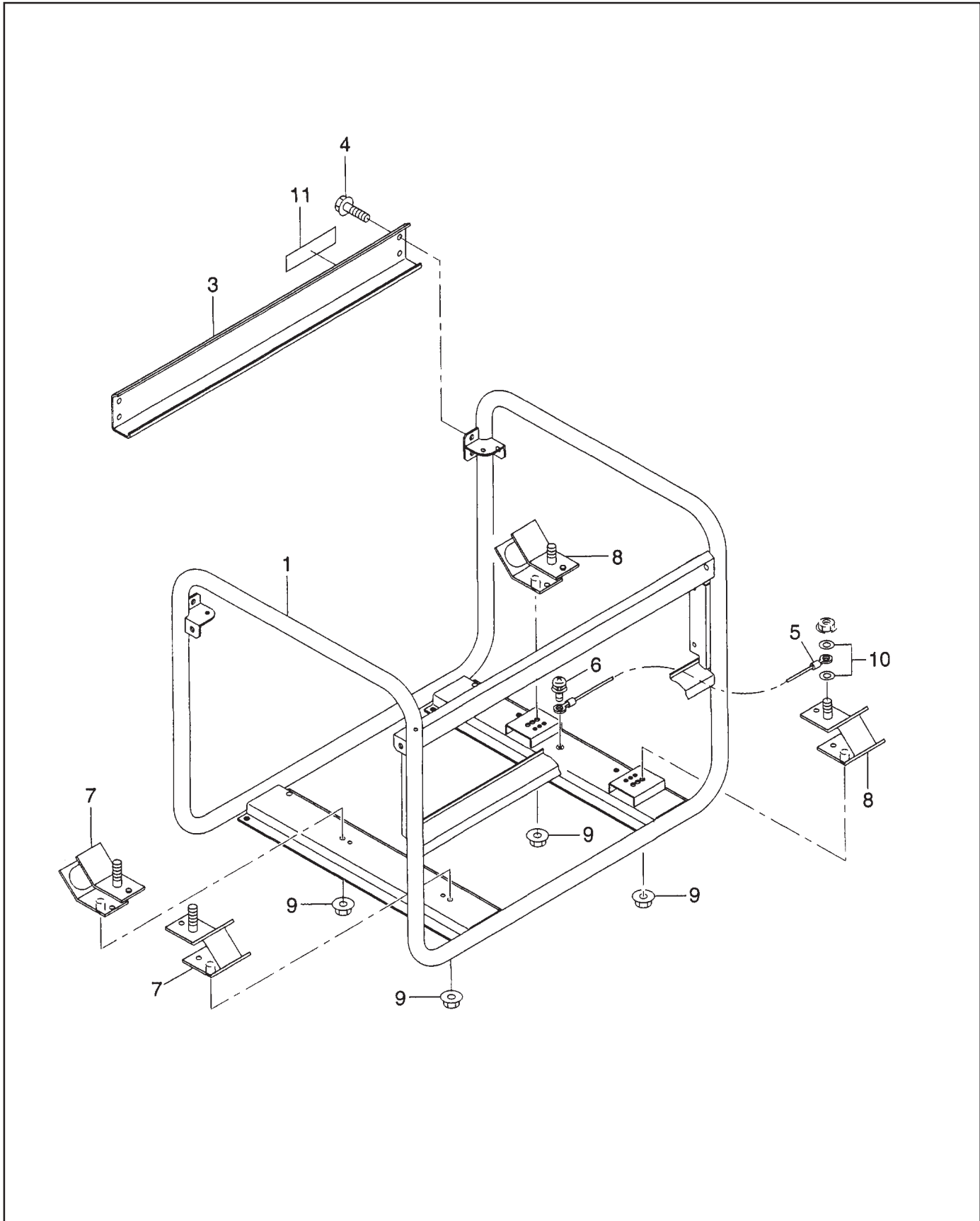


FIG. 2-2 PIPE FRAME (For Electric starter type) - RGV7500

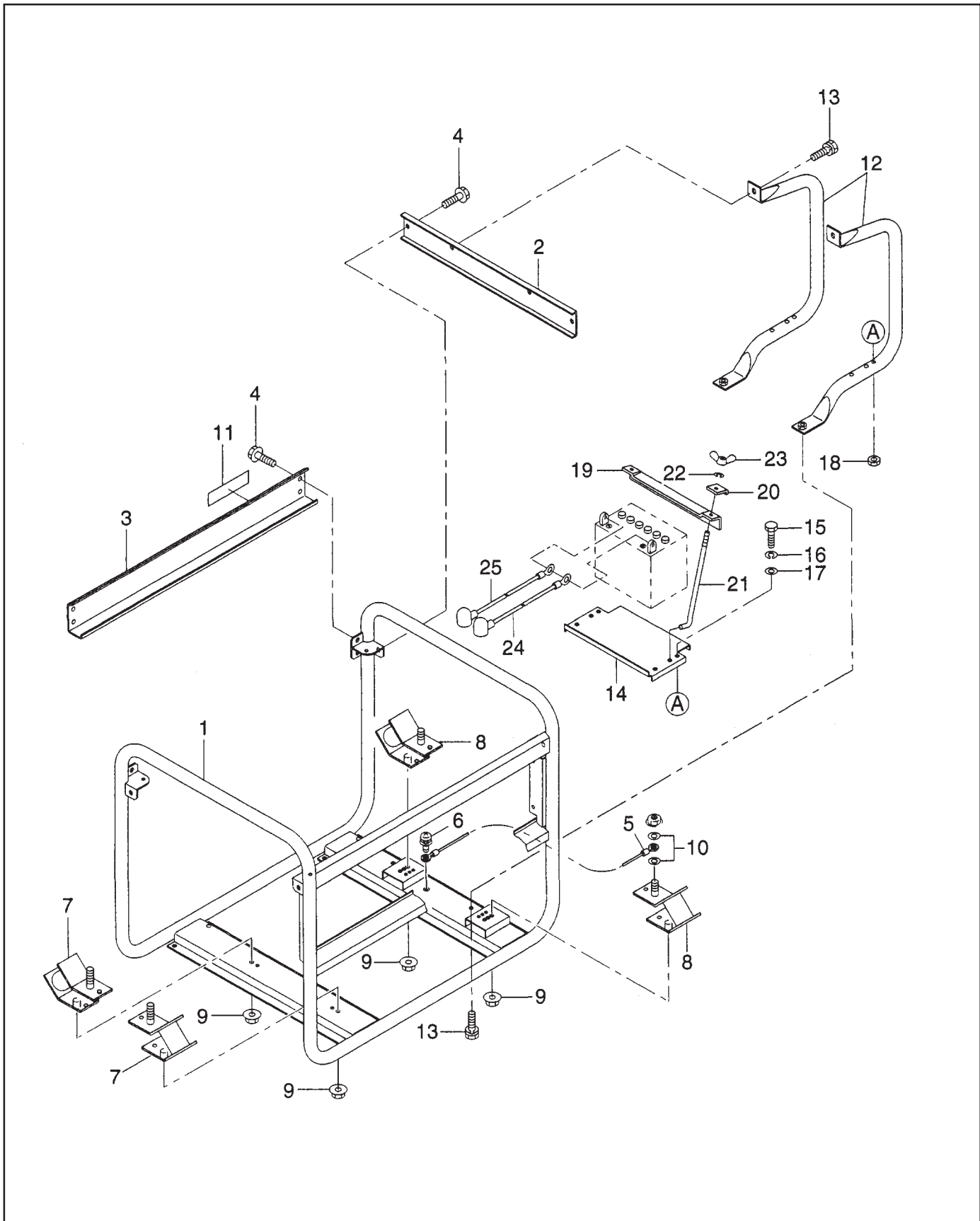


FIG. 3 CONTROL BOX - RGV7500

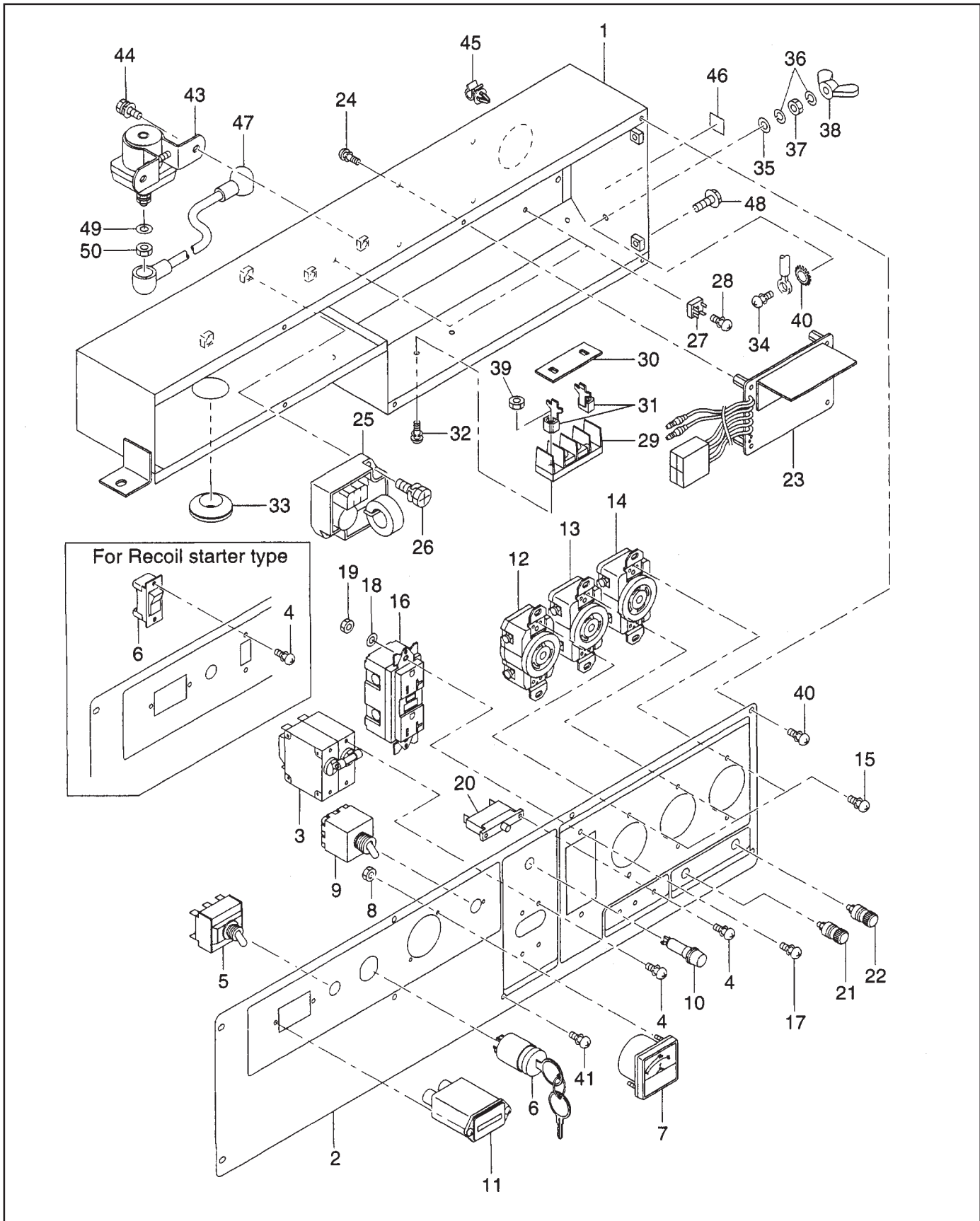


FIG. 3 CONTROL BOX - RGV7500

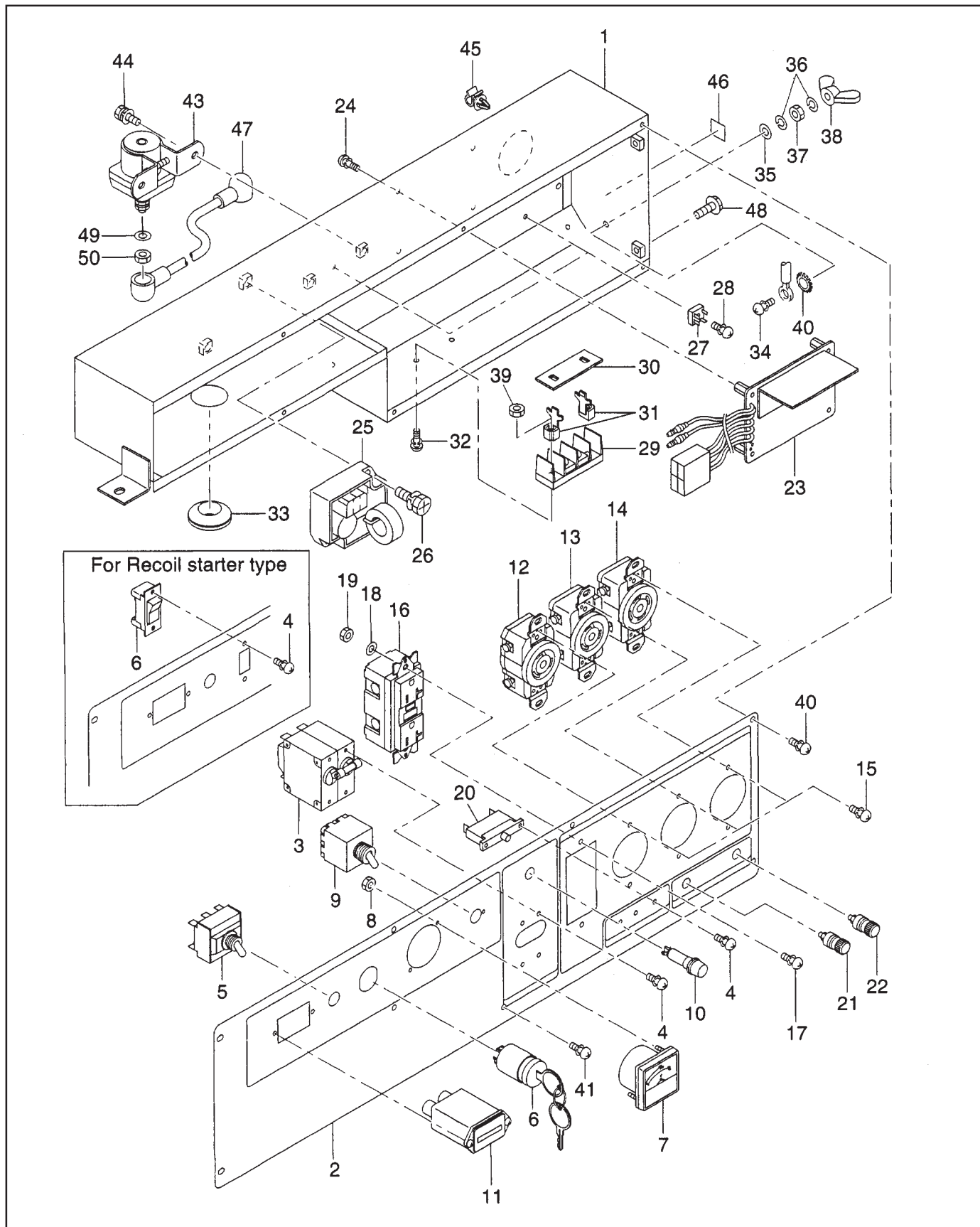


FIG. 5 FUEL TANK - RGV7500

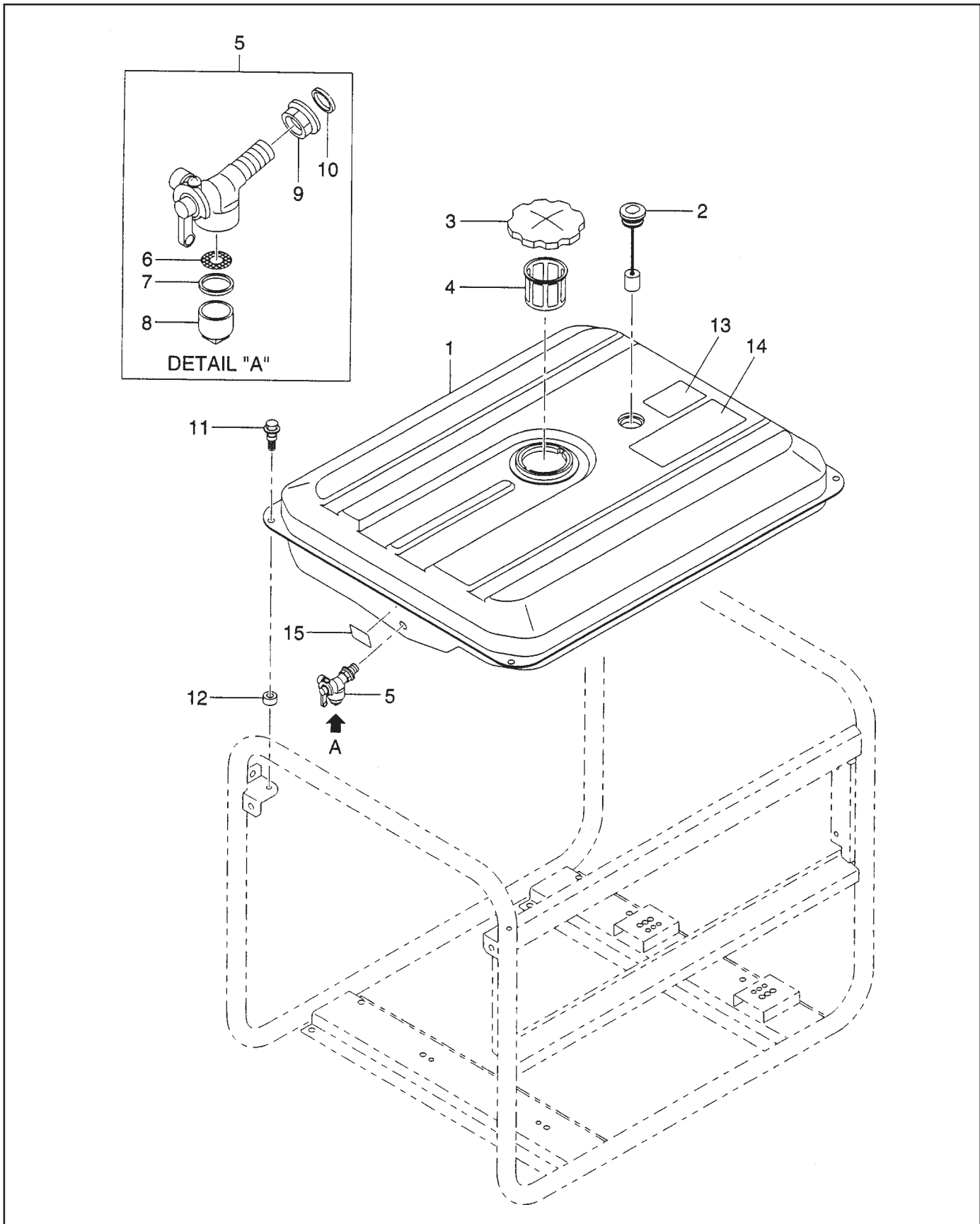


FIG. 6 MUFFLER - RGV7500

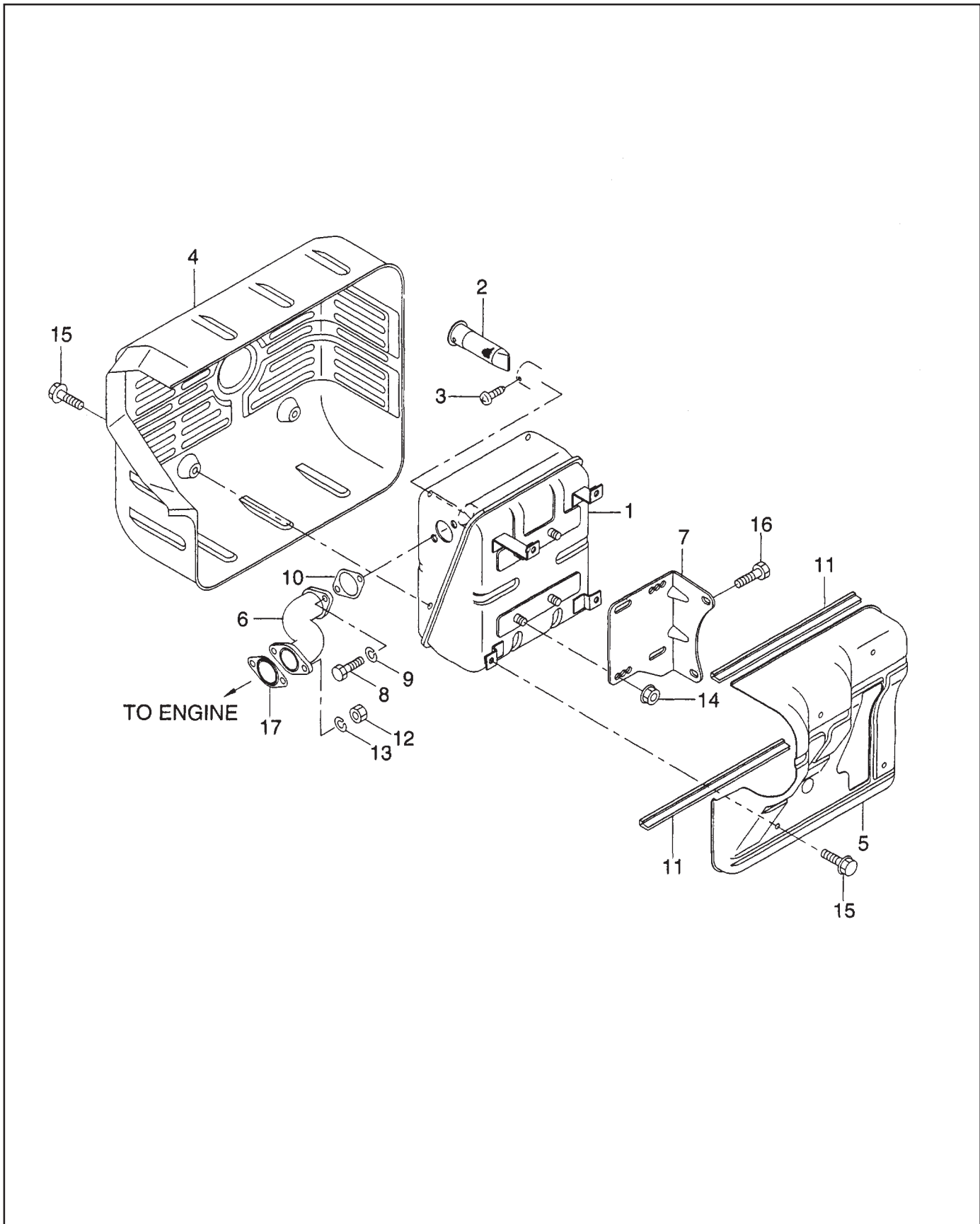


FIG. 7 CRANKCASE GROUP - RGV7500

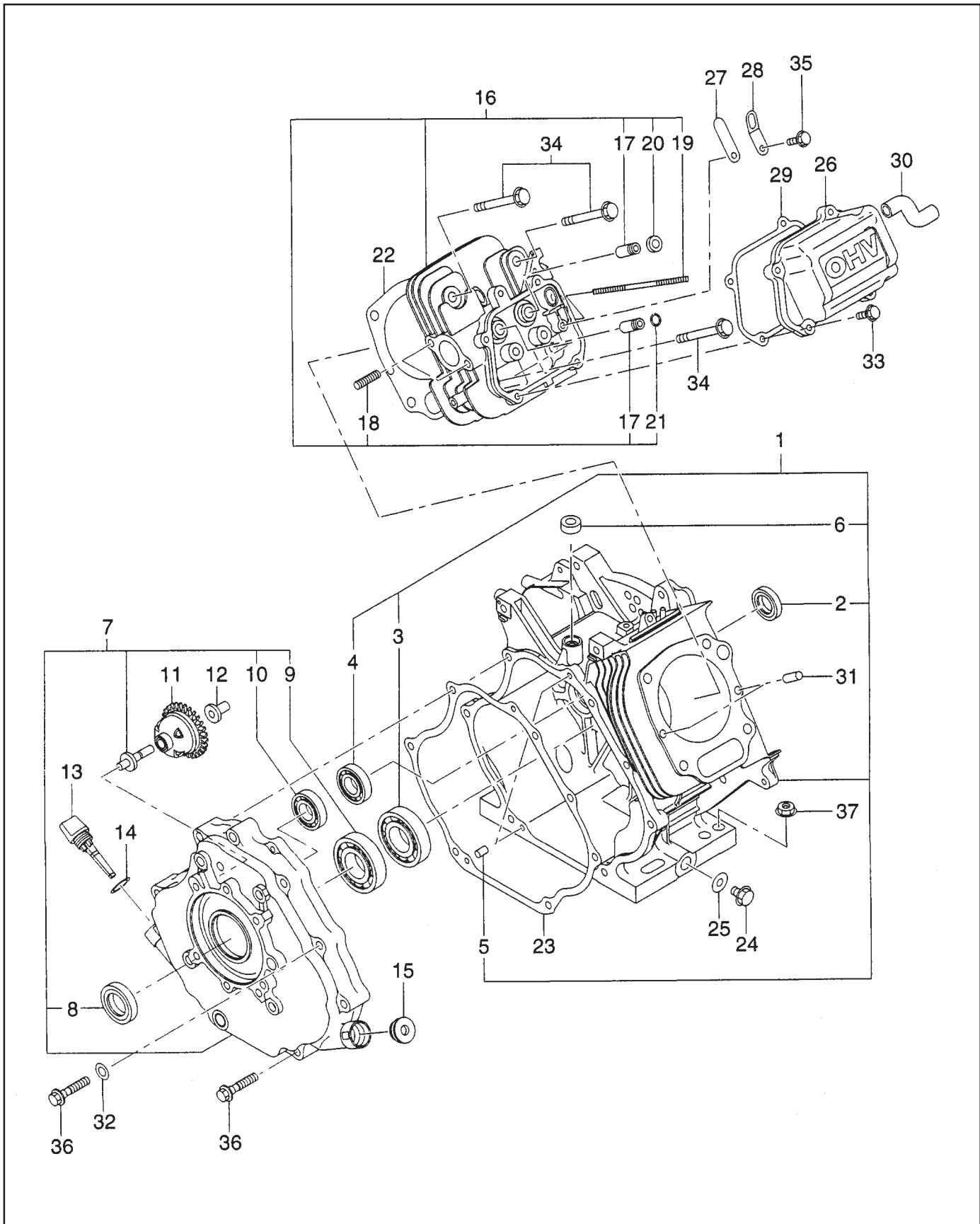


FIG. 8 CRANKSHAFT and PISTON GROUP - RGV7500

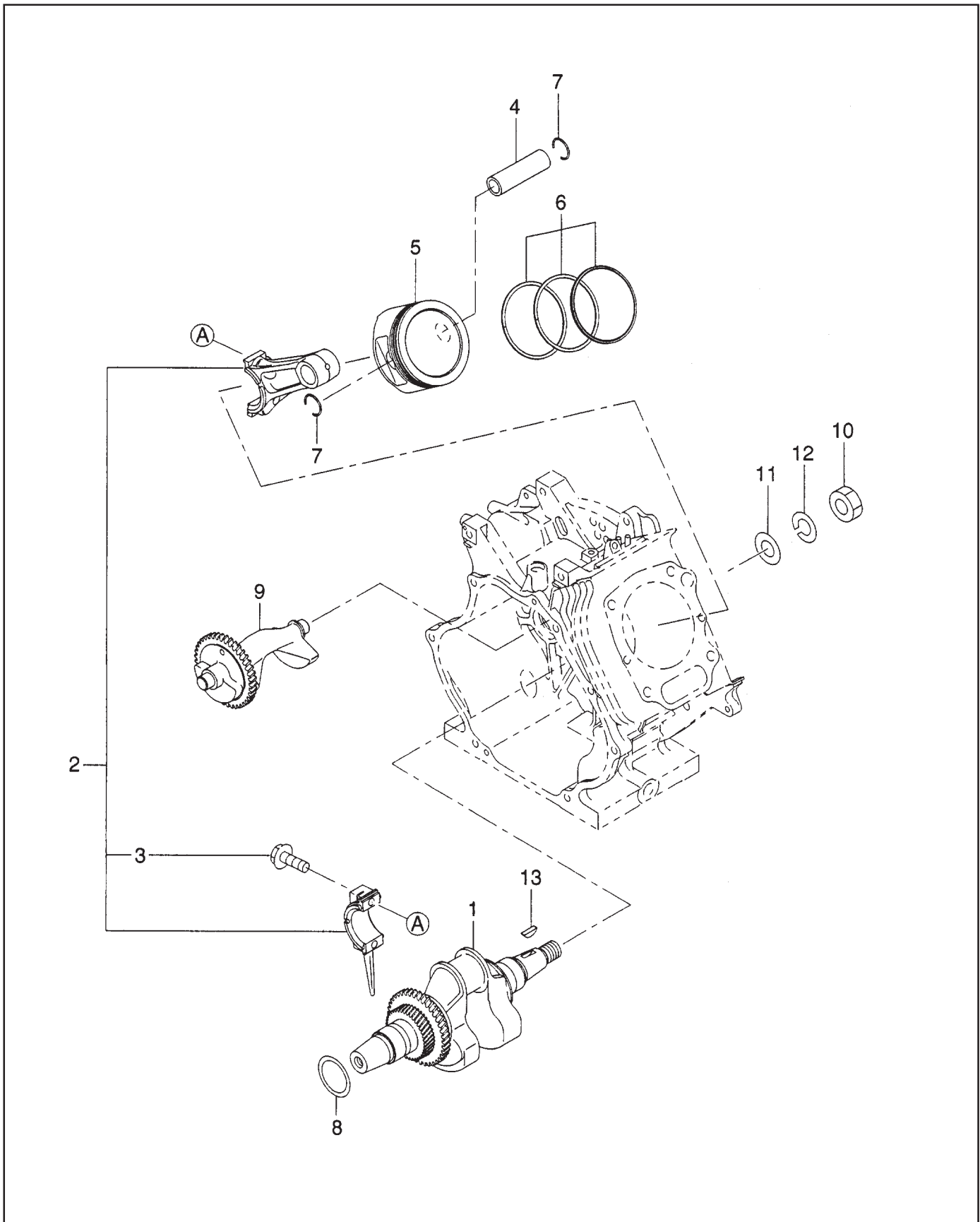


FIG. 9 INTAKE and EXHAUST GROUP - RGV7500

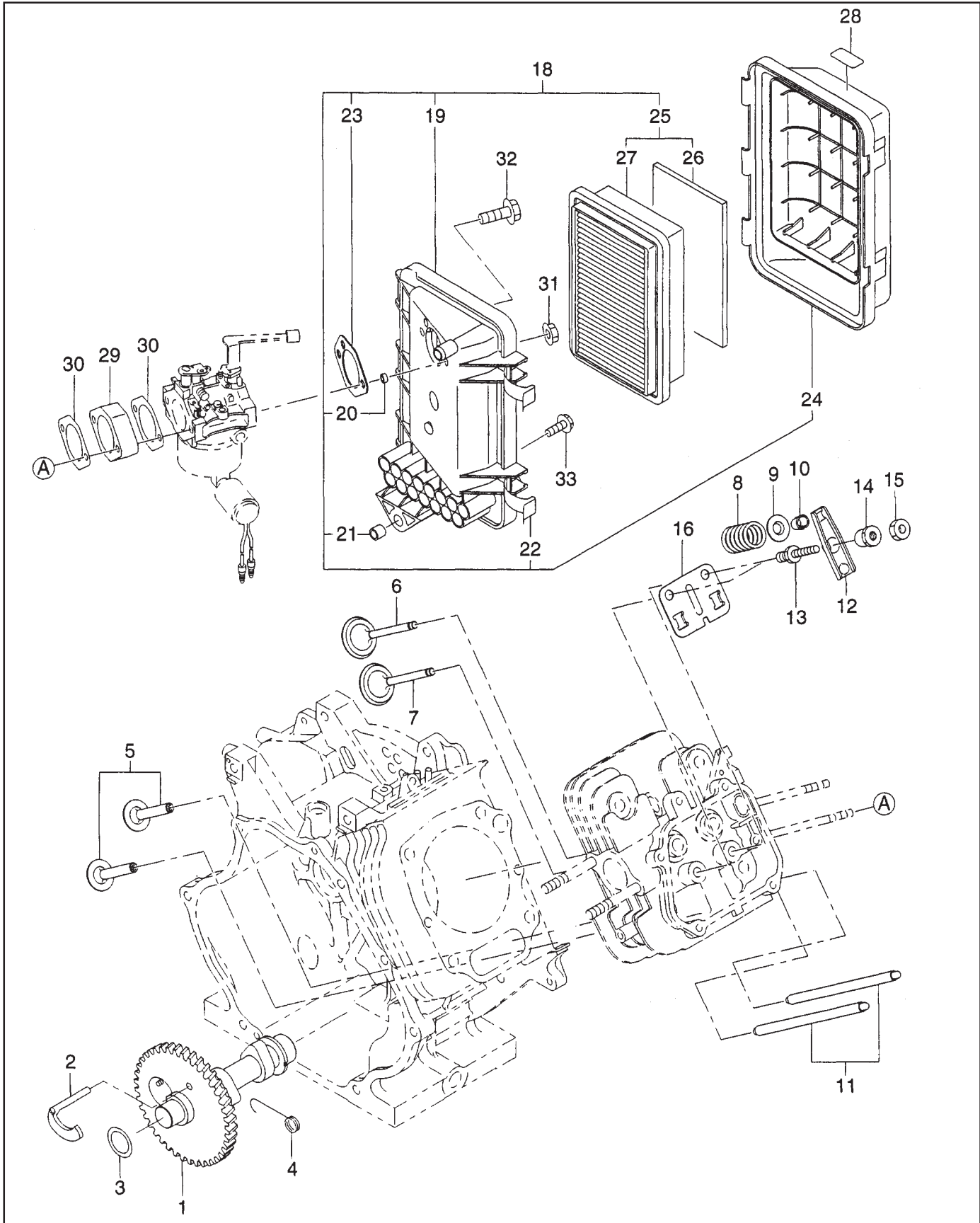


FIG. 10 GOVERNOR, OPERATE GROUP - RGV7500

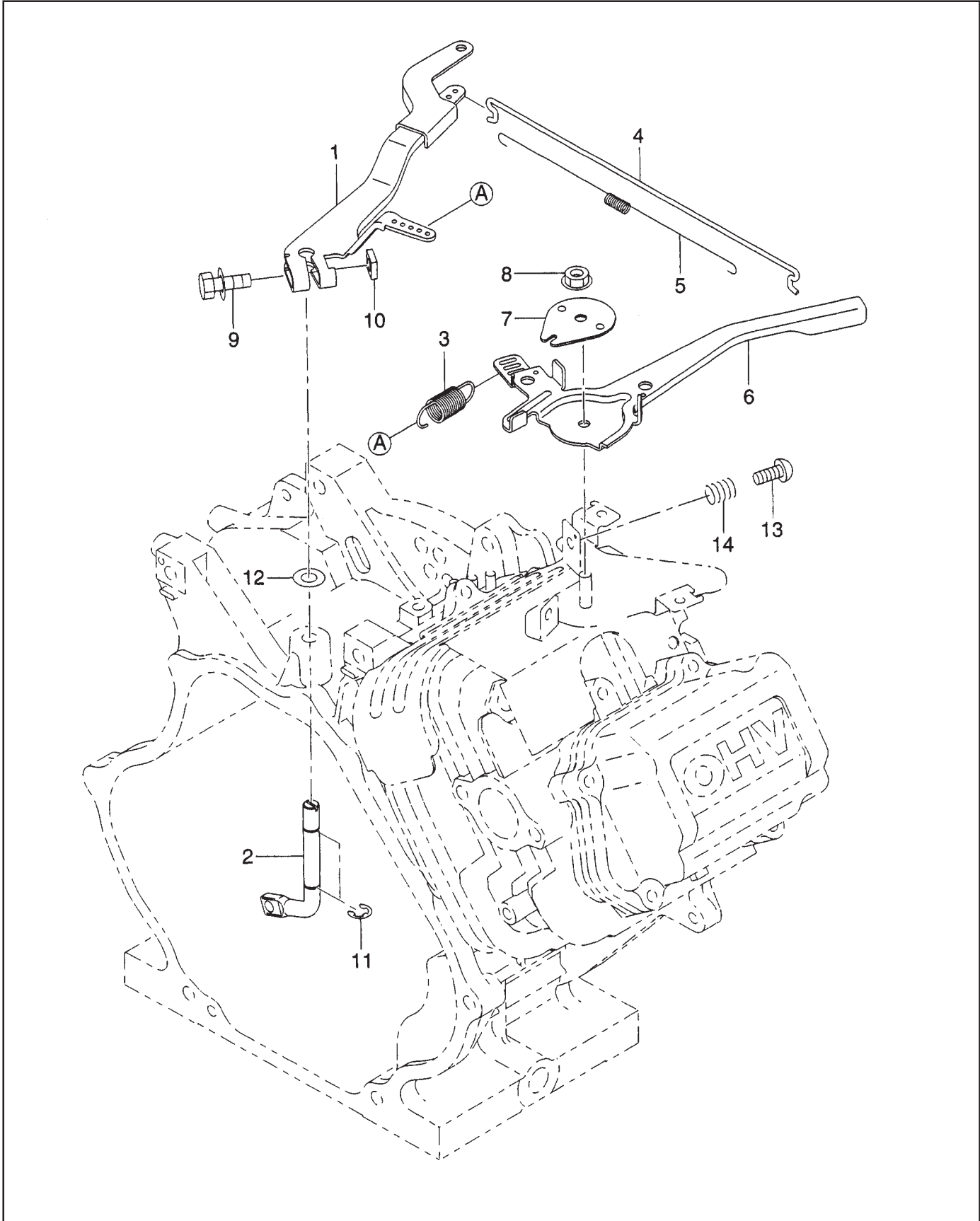


FIG. 11 COOLING and STARTING GROUP - RGV7500

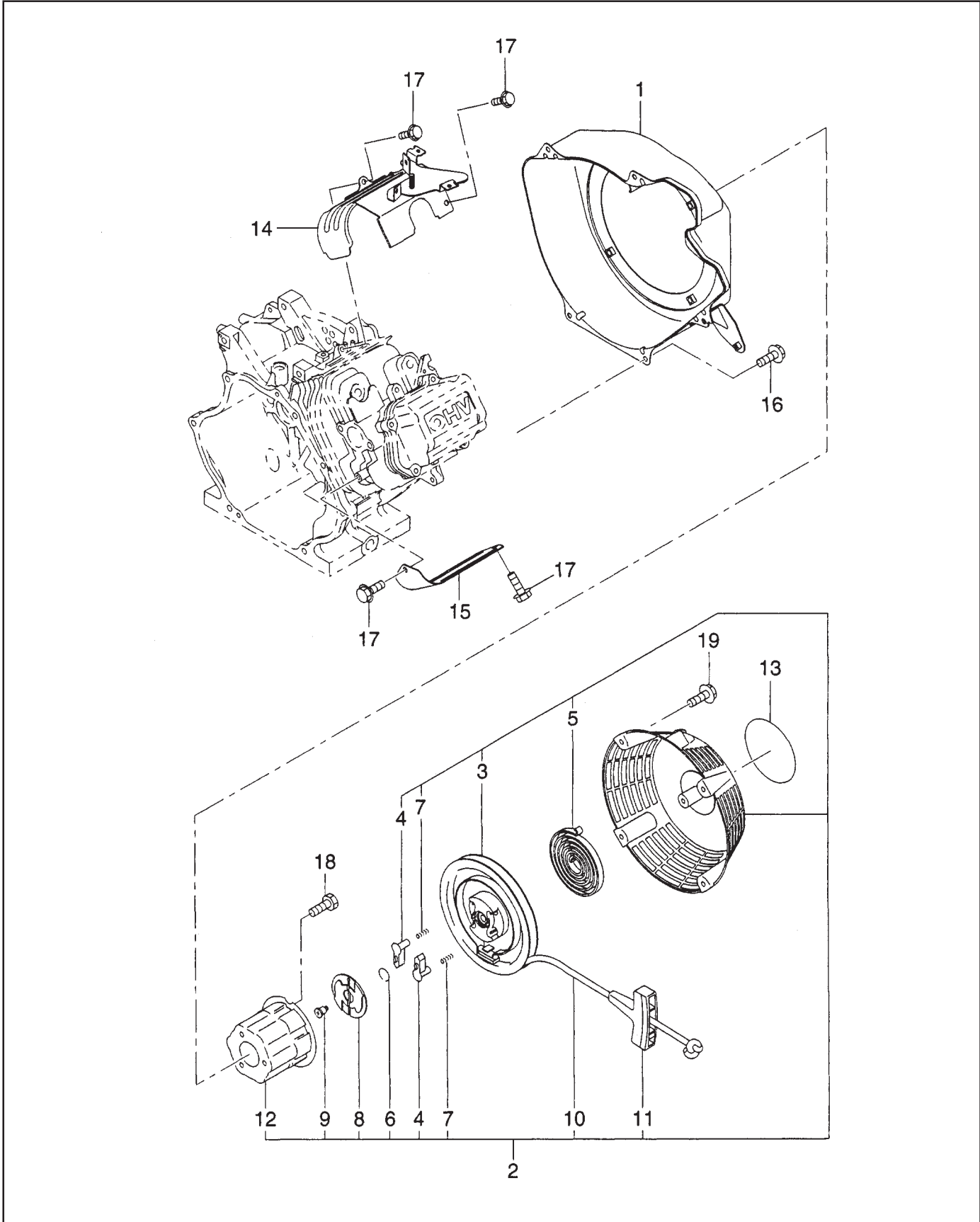


FIG. 12 FUEL, LUBRICANT GROUP - RGV7500

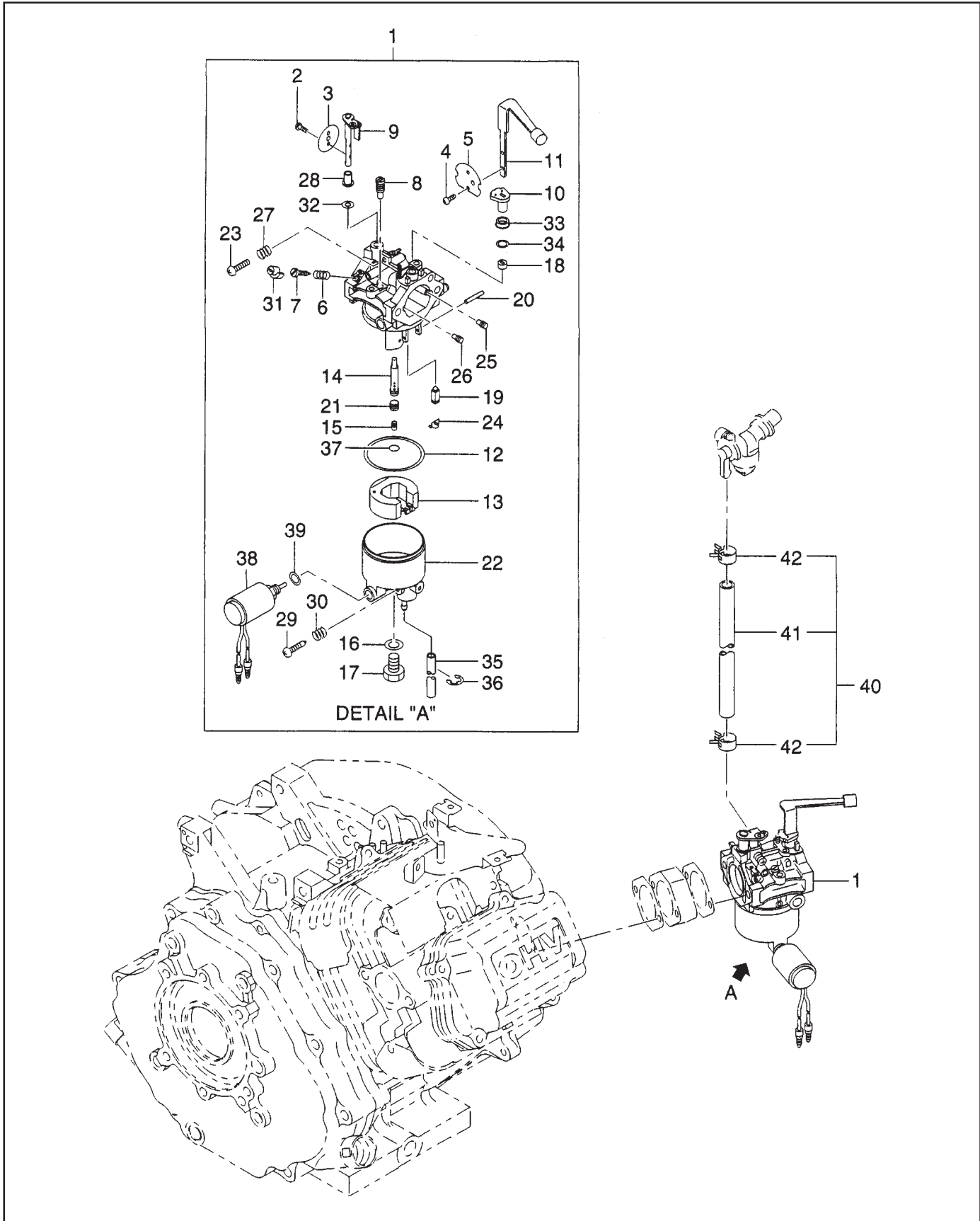


FIG. 12 FUEL, LUBRICANT GROUP - RGV7500

REF	PART NUMBER	DESCRIPTION	QTY	REMARKS
*1	267-62310-00	CARBURETOR ASS'Y	1	Includes items 2 thru 39
2	209-62351-08	SCREW	2	
3	267-62535-08	THROTTLE VALVE (#125)	1	
4	237-62451-08	SCREW	2	
5	267-62526-08	CHOKE VALVE	1	
6	206-62446-08	SPRING	1	
7	246-62436-08	ADJUSTER	1	
8	227-62422-08	PILOT JET (#50)	1	
9	267-62531-08	THROTTLE SHAFT ASS'Y	1	
10	239-62560-08	RING	1	
11	267-62521-08	CHOKE LEVER ASS'Y	1	
12	206-62540-08	PACKING	1	
13	234-62506-08	FLOAT ASS'Y	1	
14	267-62440-08	MAIN NOZZLE	1	
15	254-62403-08	MAIN JET (#97.5)	1	
16	248-62451-08	WASHER	1	
17	150-62358-08	BOLT	1	
18	226-62550-08	RING	1	
19	224-62312-18	NEEDLE VALVE	1	
20	214-62515-08	PIN	1	
21	248-62425-08	JET HOLDER	1	
22	267-62550-08	FLOAT BODY ASS'Y	1	
23	224-62452-08	SCREW	1	
24	224-62569-18	CLIP	1	
25	106-62411-08	AIR JET	1	
26	246-62410-08	AIR JET	1	
27	230-62446-08	SPRING	1	
28	267-62450-08	RING	1	
29	214-62454-08	ADJUT SCREW	1	
30	205-62447-08	SPRING	1	
31	246-62551-08	CAP	1	
32	106-62392-08	SEAL	1	
33	247-62550-08	CAP	1	
34	236-62680-08	SEAL	1	
35	267-62570-08	HOSE	1	
36	138-62354-08	CLIP	1	
37	242-62313-08	O RING	1	
38	247-62561-08	SOLENOID ASS'Y	1	
39	247-62565-08	WASHER	1	
*40	227-62644-01	FUEL PIPE, compl.	1	Includes items 41 and 42
41	085-10600-00	RUBBER PIPE (Ø6 x Ø12 x 180mm)	1	
42	056-11100-20	HOSE CLAMP	2	

FIG. 13 ELECTRIC DEVICE GROUP - RGV7500

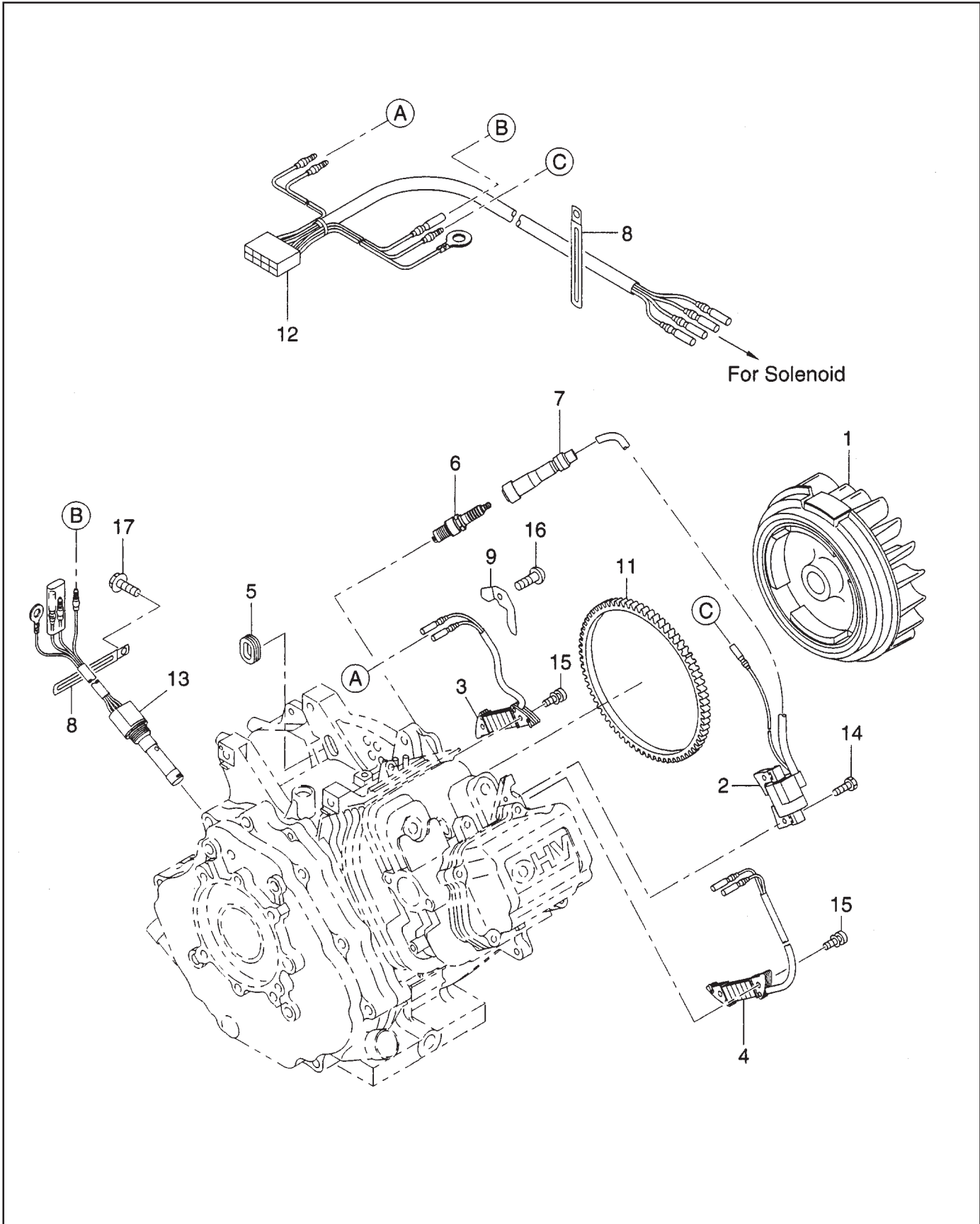


FIG. 14 STARTING MOTOR GROUP - RGV7500

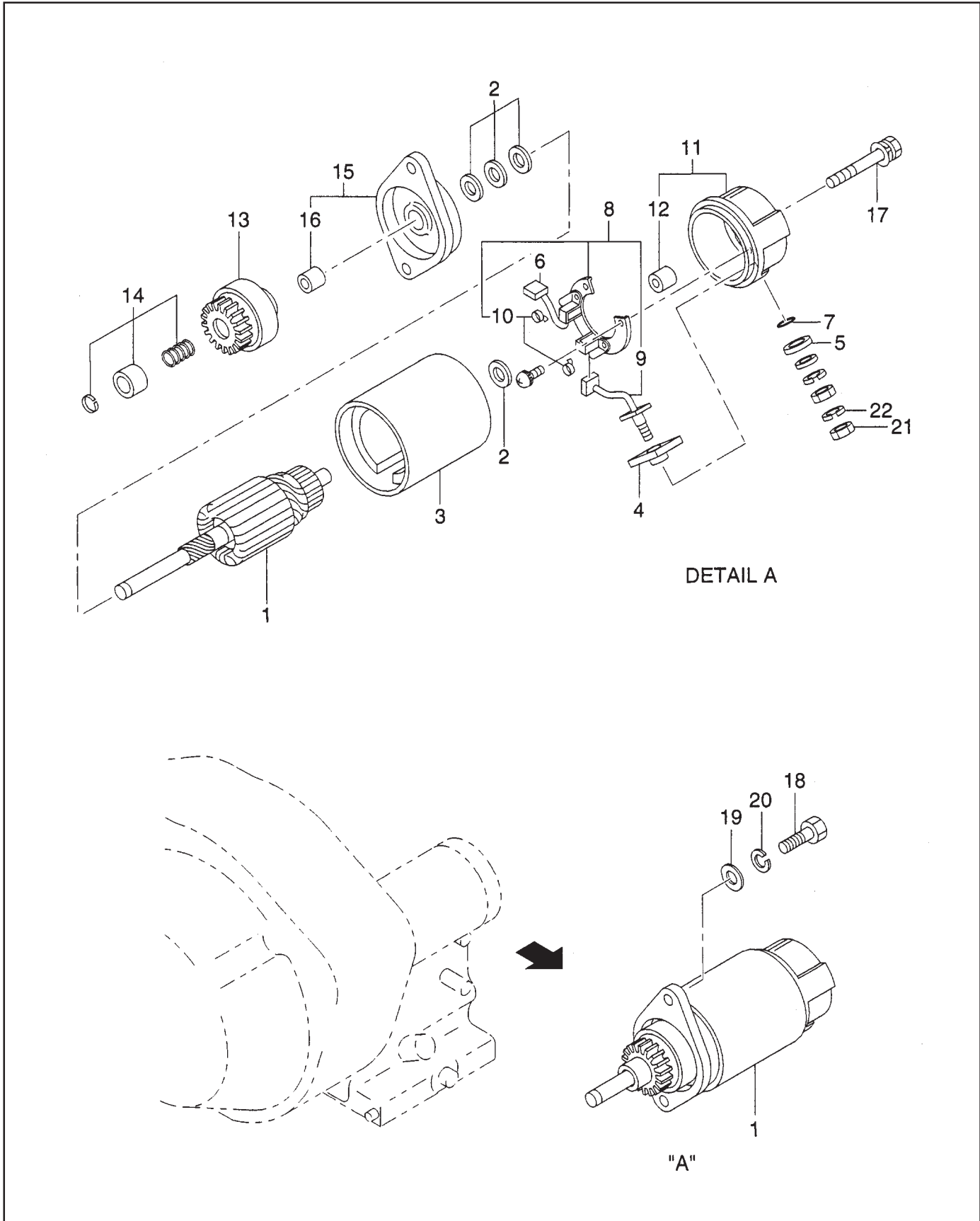
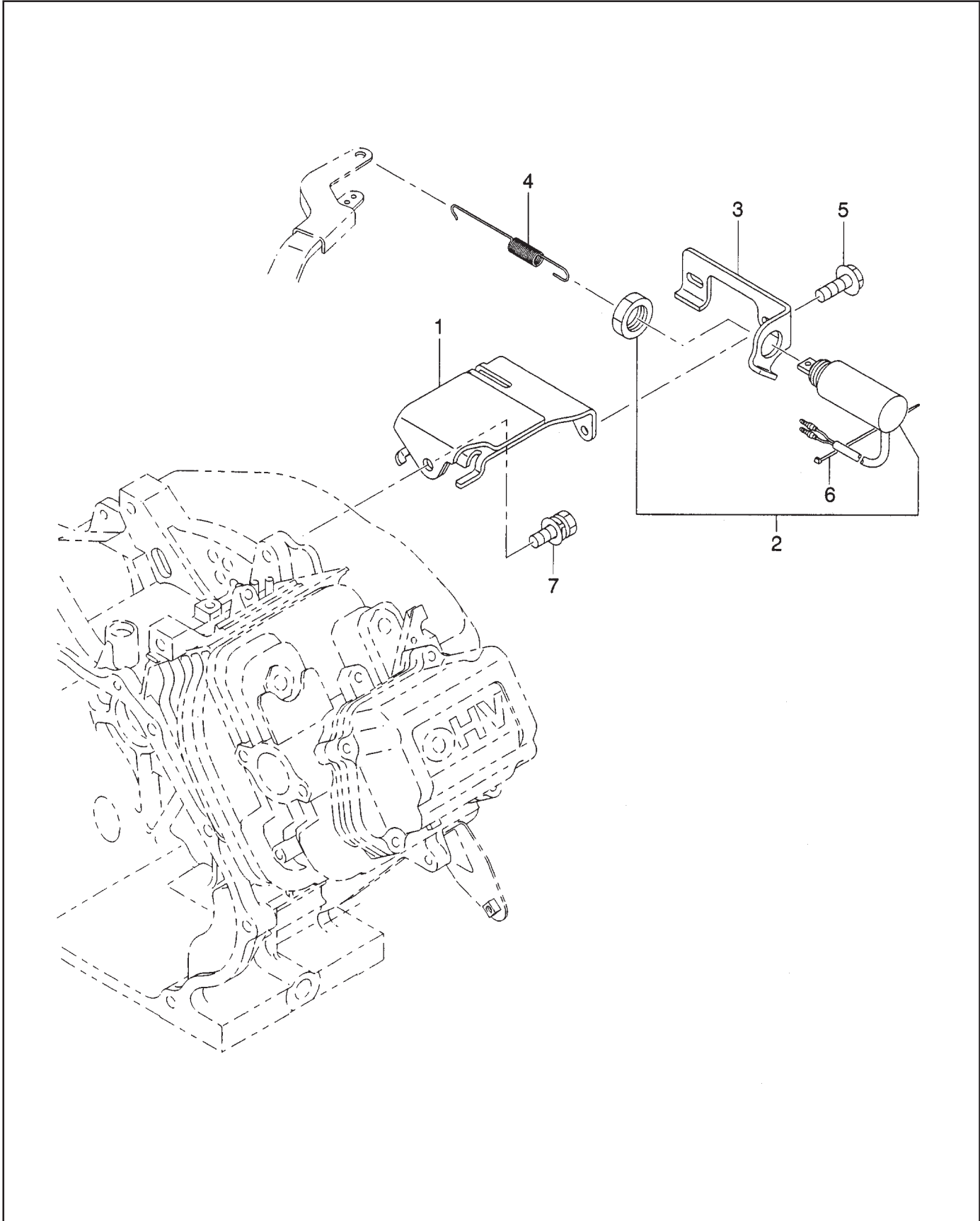


FIG. 15 SOLENOID GROUP - RGV7500



PRINTED IN THE USA