



SERVICE MANUAL

IC-R7000
COMMUNICATIONS RECEIVER

ICOM INCORPORATED

FOREWORD

The most sophisticated, continuous coverage receiver on the market today, the **IC-R7000** is the result of both advanced ICOM engineering and state-of-the-art computer interface technology from ICOM such as the new CI-V System: a feature that allows for easy and convenient computer control of your IC-R7000.

Equipped with 99 internal memories that are completely owner-programmable, the **IC-R7000** is unmatched in scanning and coverage versatility within the 25 to 1300MHz range and may even cover frequencies up to 2000MHz. Low band, aircraft, marine, business, FM, amateur radio, emergency services, government, and television bands - all are conveniently available and immediately accessible with the **IC-R7000**.



ASSISTANCE

Five separate versions of the **IC-R7000** have been designed for use in the U.S.A., Europe, France, Australia, and Germany. This service manual covers every version. When using the manual each model can be referred to by the following assigned version numbers:

- #02 U.S.A. version
- #03 Europe version
- #04 France version
- #05 Australia version
- #06 Germany version

If you require assistance or information regarding the operation and capabilities of the **IC-R7000**, please contact your nearest authorized ICOM Dealer or ICOM Service Center.

TABLE OF CONTENTS

SECTION	1	SPECIFICATIONS	1 - 1
SECTION	2	OUTSIDE AND INSIDE VIEWS	2 - 1 ~ 4
	2-1	FRONT PANEL	2 - 1
	2-2	REAR PANEL.....	2 - 2
	2-3	INSIDE VIEW (PLL UNIT)	2 - 2
	2-4	INSIDE VIEW (MAIN UNIT).....	2 - 3
	2-5	INSIDE TOP VIEW (RF AND IF UNITS).....	2 - 3
	2-6	INSIDE BOTTOM VIEW (POWER SUPPLY AND DC-DC CONVERTER UNITS)	2 - 4
	2-7	INSIDE BOTTOM VIEW (LOGIC UNIT)	2 - 4
SECTION	3	BLOCK DIAGRAM	3 - 1
SECTION	4	CIRCUIT DESCRIPTION	4 - 1 ~ 10
	4-1	RECEIVER CIRCUITS	4 - 1 ~ 6
	4-2	POWER SUPPLY CIRCUITS	4 ~ 6
	4-3	PLL CIRCUITS	4 - 7 ~ 8
	4-4	LOGIC CIRCUITS.....	4 - 8 ~ 10
	4-5	DISPLAY CIRCUITS.....	4 - 10
	4-6	KEYBOARD CIRCUITS	4 - 10
SECTION	5	MECHANICAL PARTS AND DISASSEMBLY	5 - 1 ~ 5
	5-1	FRAME DISASSEMBLY	5 - 1
	5-2	FRONT PANEL DISASSEMBLY	5 - 2
	5-3	REAR PANEL DISASSEMBLY	5 - 3
	5-4	TOP SIDE CONNECTOR CONNECTIONS.....	5 - 4
	5-5	BOTTOM SIDE CONNECTOR CONNECTIONS	5 - 5
SECTION	6	MAINTENANCE AND ADJUSTMENT	6 - 1 ~ 11
	6-1	PREPARATION BEFORE SERVICING.....	6 - 1
	6-2	PLL ADJUSTMENT	6 - 2 ~ 3
	6-3	LOCAL OSCILLATOR ADJUSTMENT	6 - 4 ~ 5
	6-4	RECEIVER ADJUSTMENT.....	6 - 6 ~ 11
SECTION	7	BOARD LAYOUTS	7 - 1 ~ 19
	7-1	INTERCONNECTION.....	7 - 1
	7-2	FRONT UNITS	7 - 2 ~ 3
	7-3	MAIN UNIT.....	7 - 4 ~ 5
	7-4	IF UNIT.....	7 - 6 ~ 7
	7-5	RF UNIT	7 - 8 ~ 9
	7-6	LOGIC UNIT	7 - 10 ~ 11
	7-7	PLL UNIT	7 - 12 ~ 13
	7-8	DISPLAY UNIT.....	7 - 14 ~ 15
	7-9	REG AND DL-REG UNITS.....	7 - 16 ~ 17
	7-10	DC-DC, EF AND KEYBOARD UNITS	7 - 18 ~ 19
SECTION	8	PARTS LIST	8 - 1 ~ 31
SECTION	9	VOLTAGE DIAGRAMS	9 - 1 ~ 4
	9-1	IC-R7000.....	9 - 1 ~ 2
	9-2	TV-R7000 (OPTION).....	9 - 3
	9-3	RC-12 (OPTION).....	9 - 4
SECTION	10	SCHEMATIC DIAGRAM	SEPARATE

SECTION 1 SPECIFICATIONS

• Receive frequency range

VERSION	FREQUENCY COVERAGE (MHz)
#02, #03	25~ 999.999 *1025~1999.999
#04, #05	**25~ 999.999 *1025~1999.999
#06	28.0~29.7, 144.0~146.0 430.0~440.0

* Specifications guaranteed from 1240~1300MHz.

** Excluding 87.5~108MHz.

• Receive modes

: A3E (AM), F3E (FM), J3E (SSB)

• Sensitivity

: 25~999.999 MHz FM : Less than -113dBm for 12dB SINAD
 FM (wide) : Less than -107dBm for 12dB SINAD
 AM : Less than -107dBm for 10dB S/N
 SSB : Less than -117.5dBm for 10dB S/N
 1240~1300 MHz FM : Less than -113dBm for 12dB SINAD
 FM (wide) : Less than -101dBm for 12dB SINAD
 AM : Less than -101dBm for 10dB S/N
 SSB : Less than -117.5dBm for 10dB S/N

• Squelch sensitivity

: FM (Threshold) Less than -101dBm for noise squelch
 FM (Tight) More than -17dBm for meter squelch at S9+60dB
 SSB (Threshold) More than -97.5dBm for meter squelch

• Selectivity

: FM, AM ± 7.5 kHz minimum at -6dB
 FM (narrow), AM (narrow) ± 3.0 kHz minimum at -6dB
 FM (wide) ± 75 kHz minimum at -6dB
 SSB ± 1.4 kHz minimum at -6dB

• Spurious and image response rejection

: More than 60dB

• Frequency stability

: 25~999.999 MHz ± 5 ppm at 0°C~+50°C
 1240~1300 MHz ± 10 ppm at 0°C~+50°C

• Receive system

: 25~999.999 MHz : FM, AM, SSB Triple-conversion superheterodyne
 FM (wide) Double-conversion superheterodyne
 1240~1300 MHz : FM, AM, SSB Quadruple-conversion superheterodyne
 FM (wide) Triple-conversion superheterodyne

• Intermediate frequencies

: 25~512 MHz : 1st 778.7MHz
 2nd 10.7MHz
 3rd 455kHz excluding FM (wide) mode
 512~999.999 MHz: 1st 266.7MHz
 2nd 10.7MHz
 3rd 455kHz excluding FM (wide) mode

• Frequency control

: CPU based 100Hz step digital PLL synthesizer

• Number of memory channels

: 99 channels

• Supply voltage

: 117V (#02), 230V (#03, #04, #05), 220V (#06) AC (50/60Hz)

• Current drain

: Receiving 1.7A at maximum audio output
 Squelched 1.4A

• Antenna impedance

: 50Ω

• Audio output

: More than 2.5W at 10% distortion with an 8Ω load

• Audio output impedance

: 4~8Ω

• Usable temperature

: -10°C~+60°C

• Dimensions

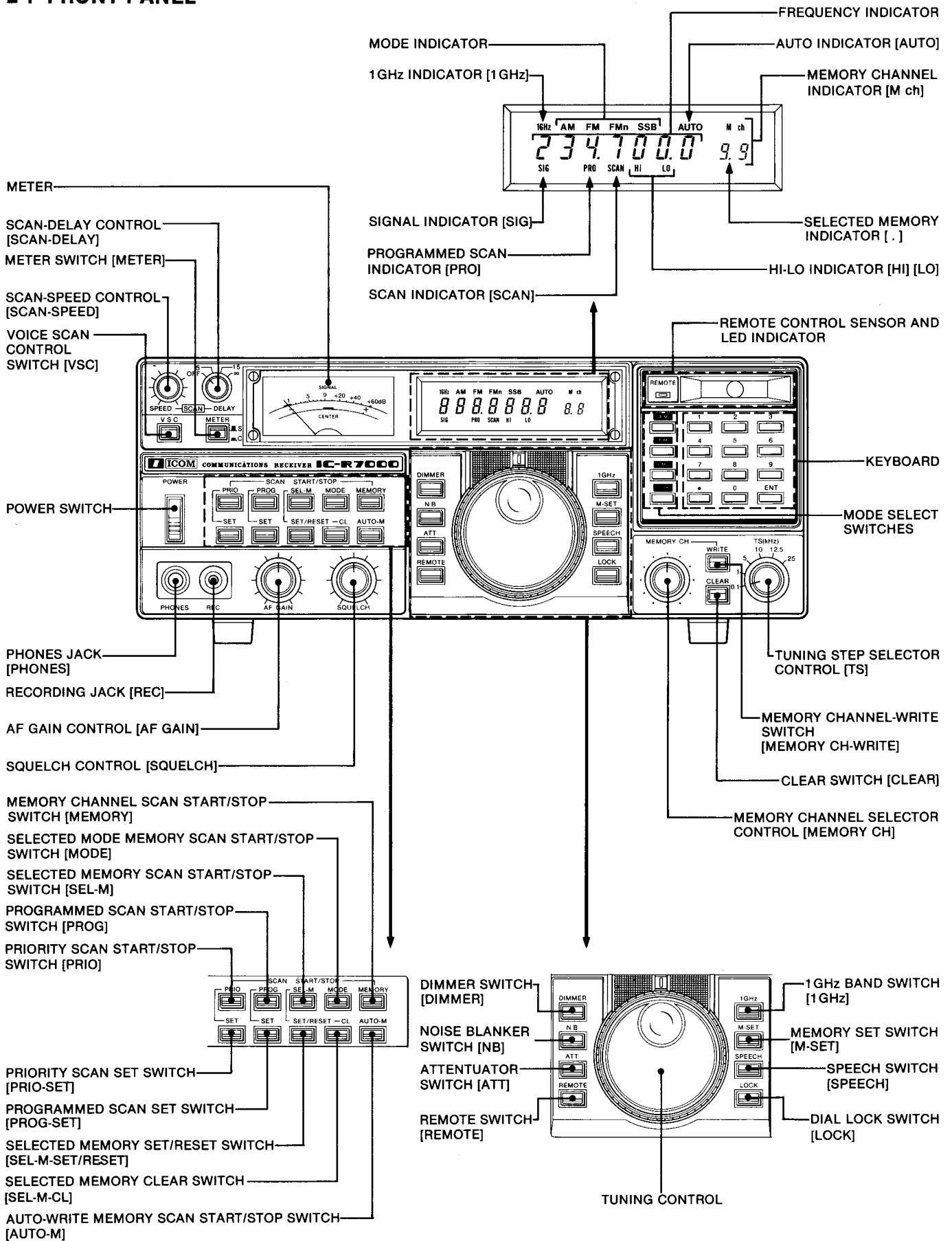
: 286(303)mm(W) × 110(127)mm(H) × 276(319)mm(D)
 Bracketed values include projections.

• Weight

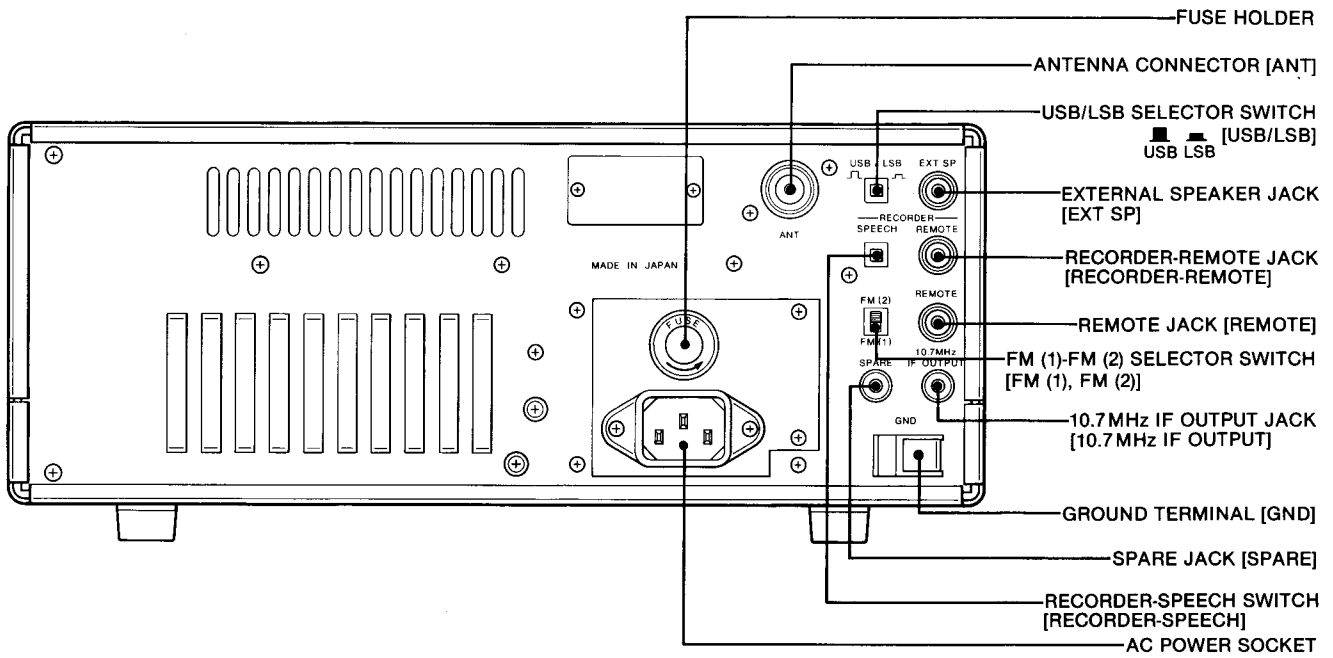
: Approximately 8.0kg (excluding options)

All stated specifications are approximate and subject to change without notice or obligation.

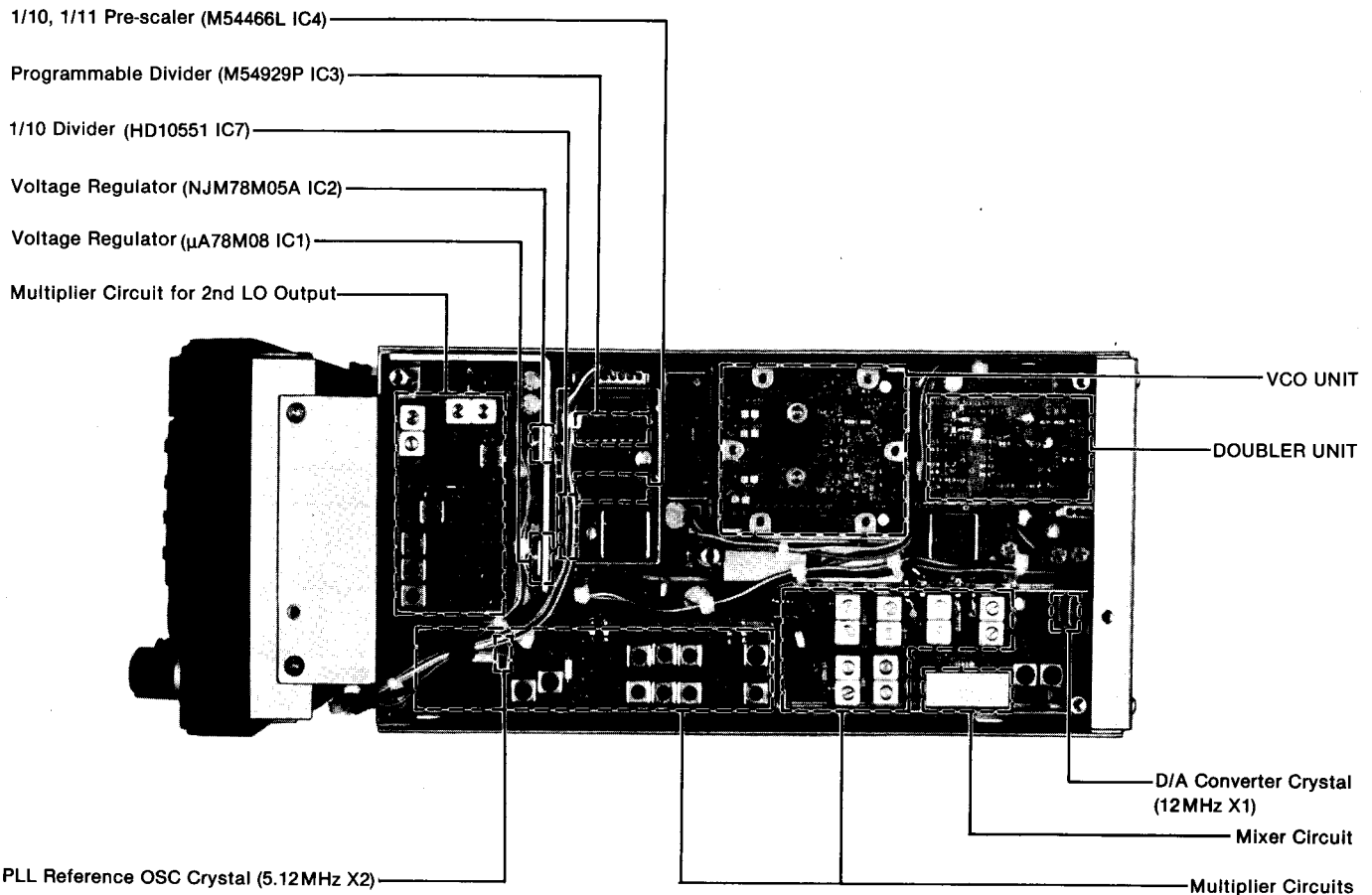
2-1 FRONT PANEL



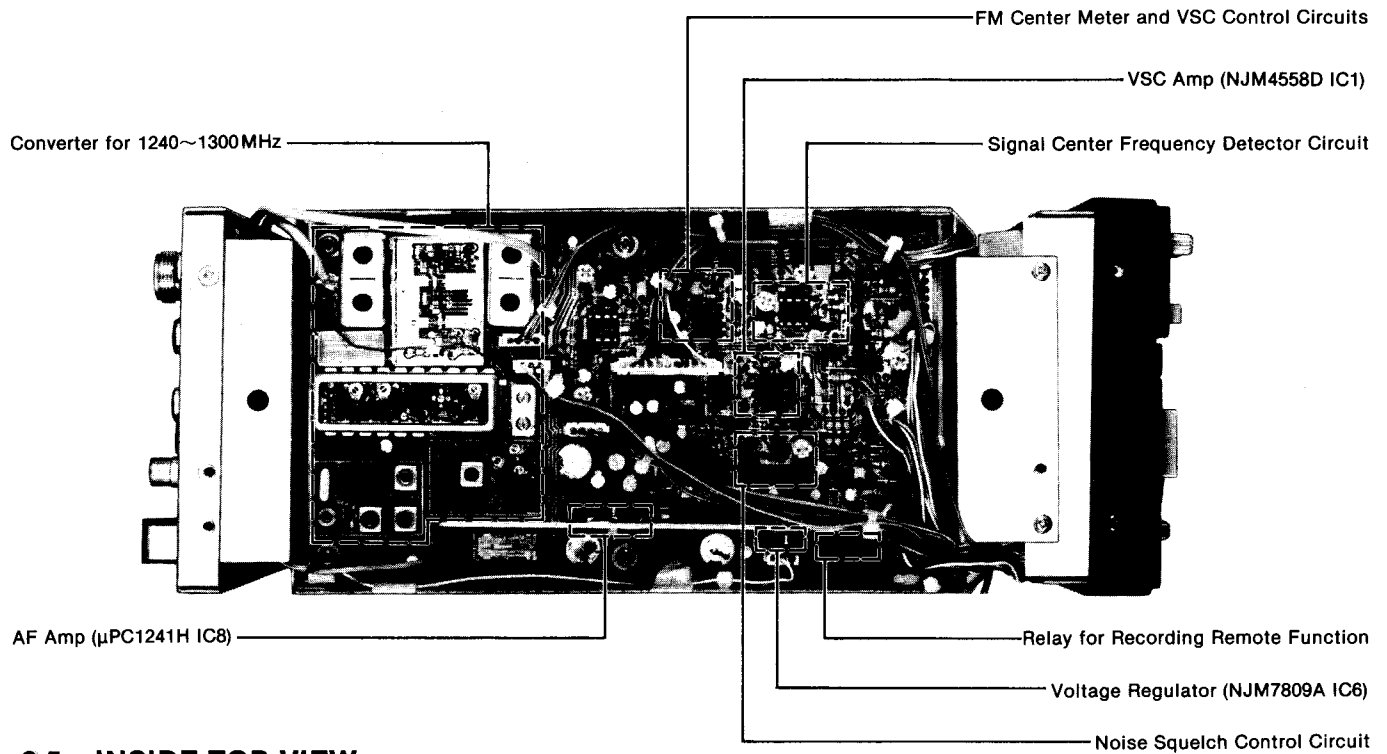
2-2 REAR PANEL



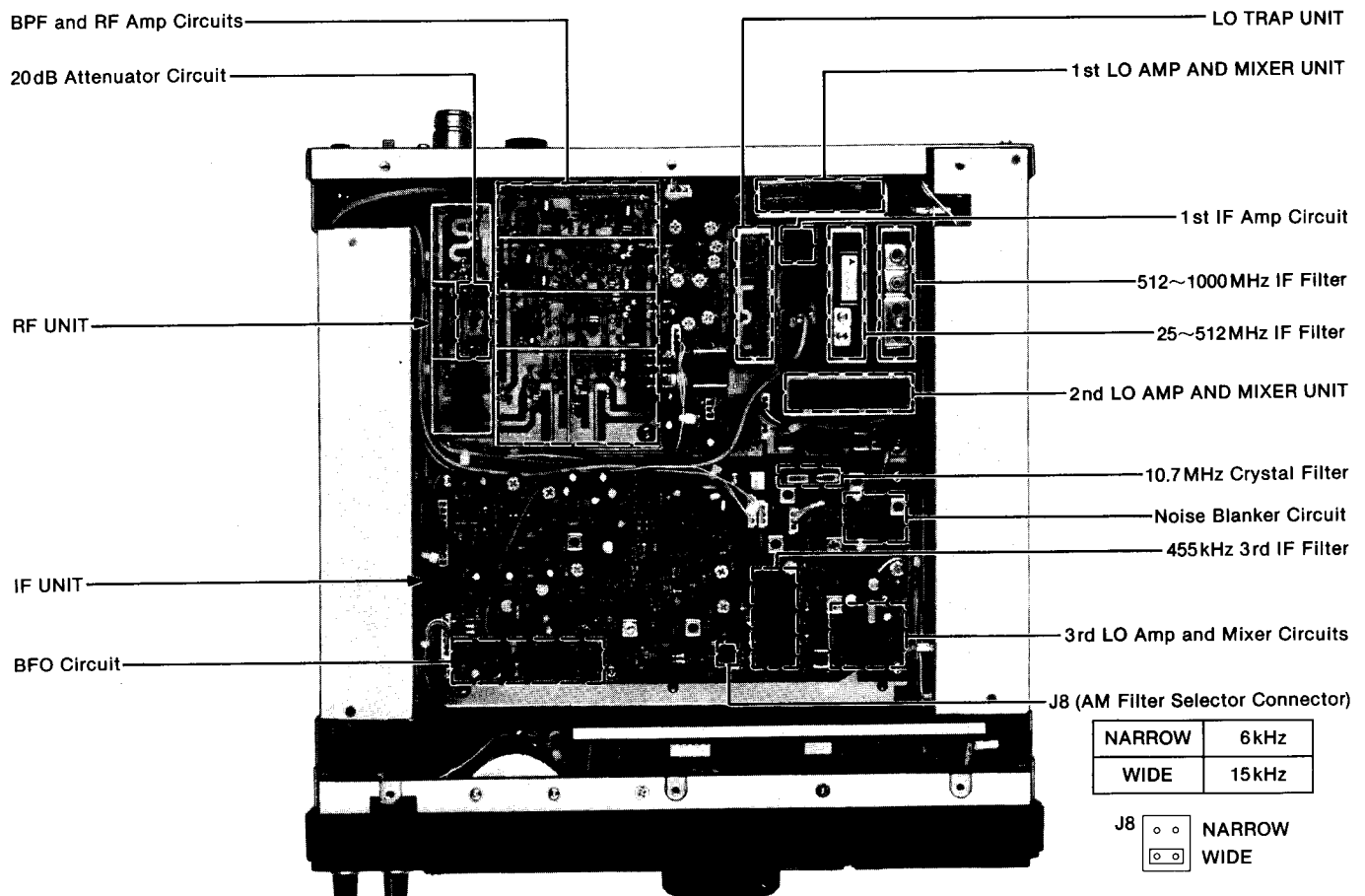
2-3 INSIDE VIEW (PLL UNIT)



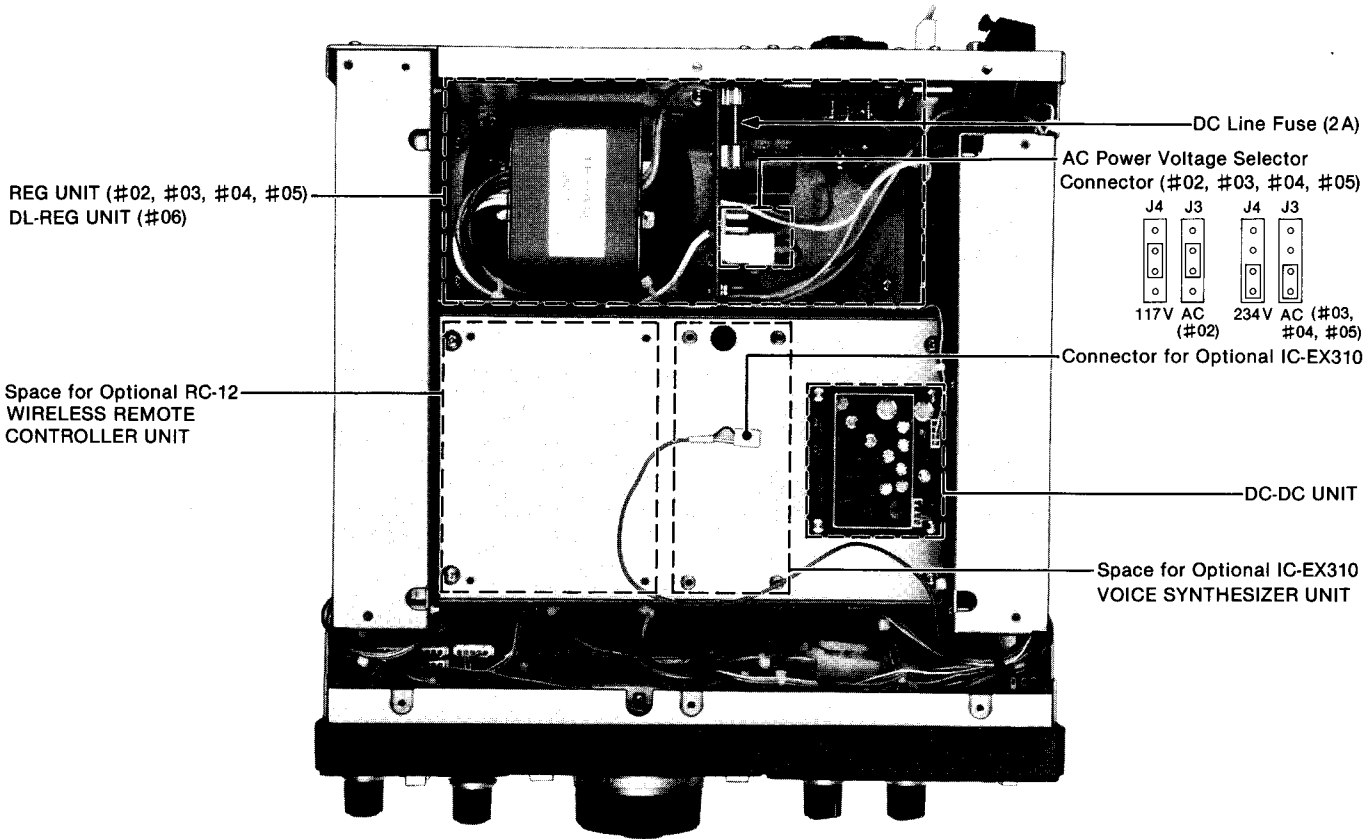
2-4 INSIDE VIEW (MAIN UNIT)



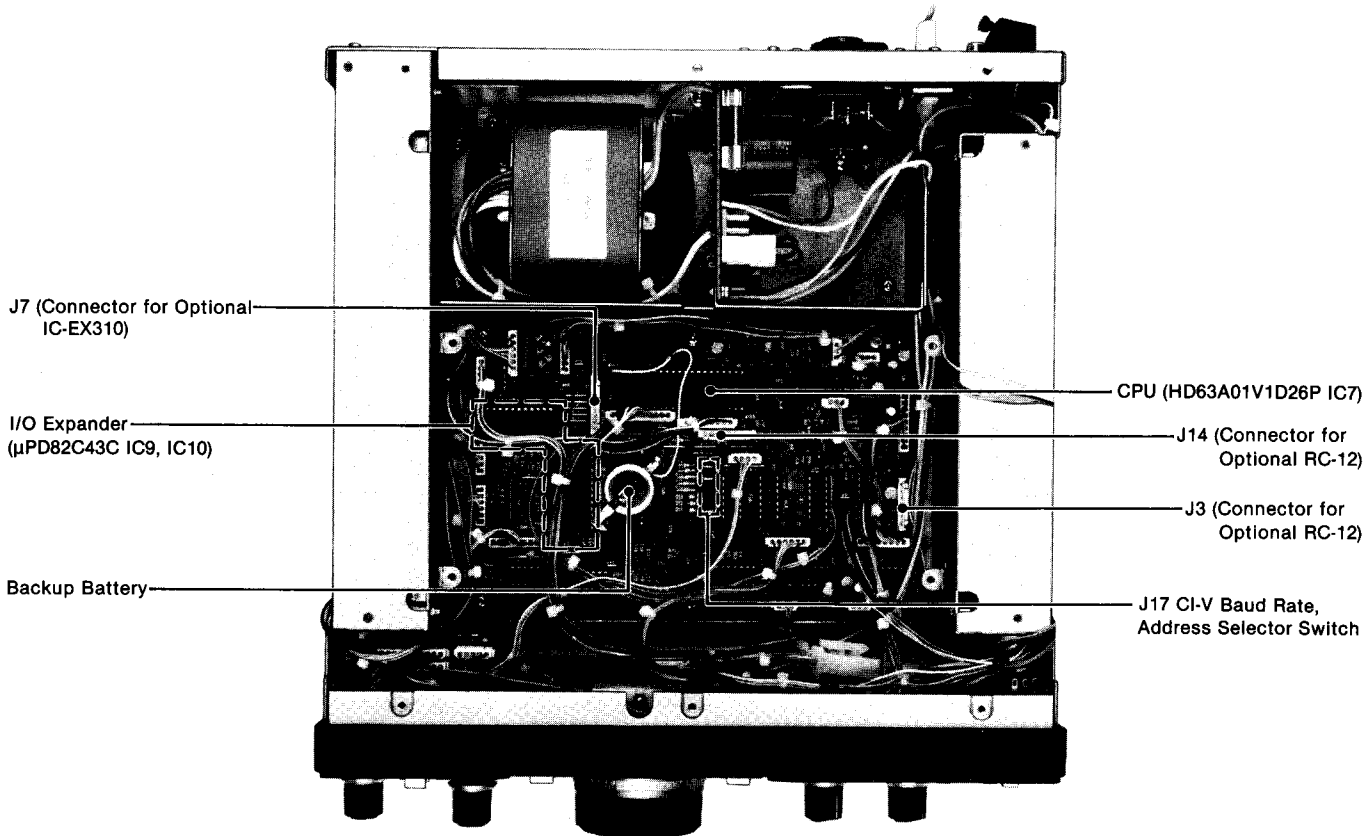
2-5 INSIDE TOP VIEW (RF AND IF UNITS)



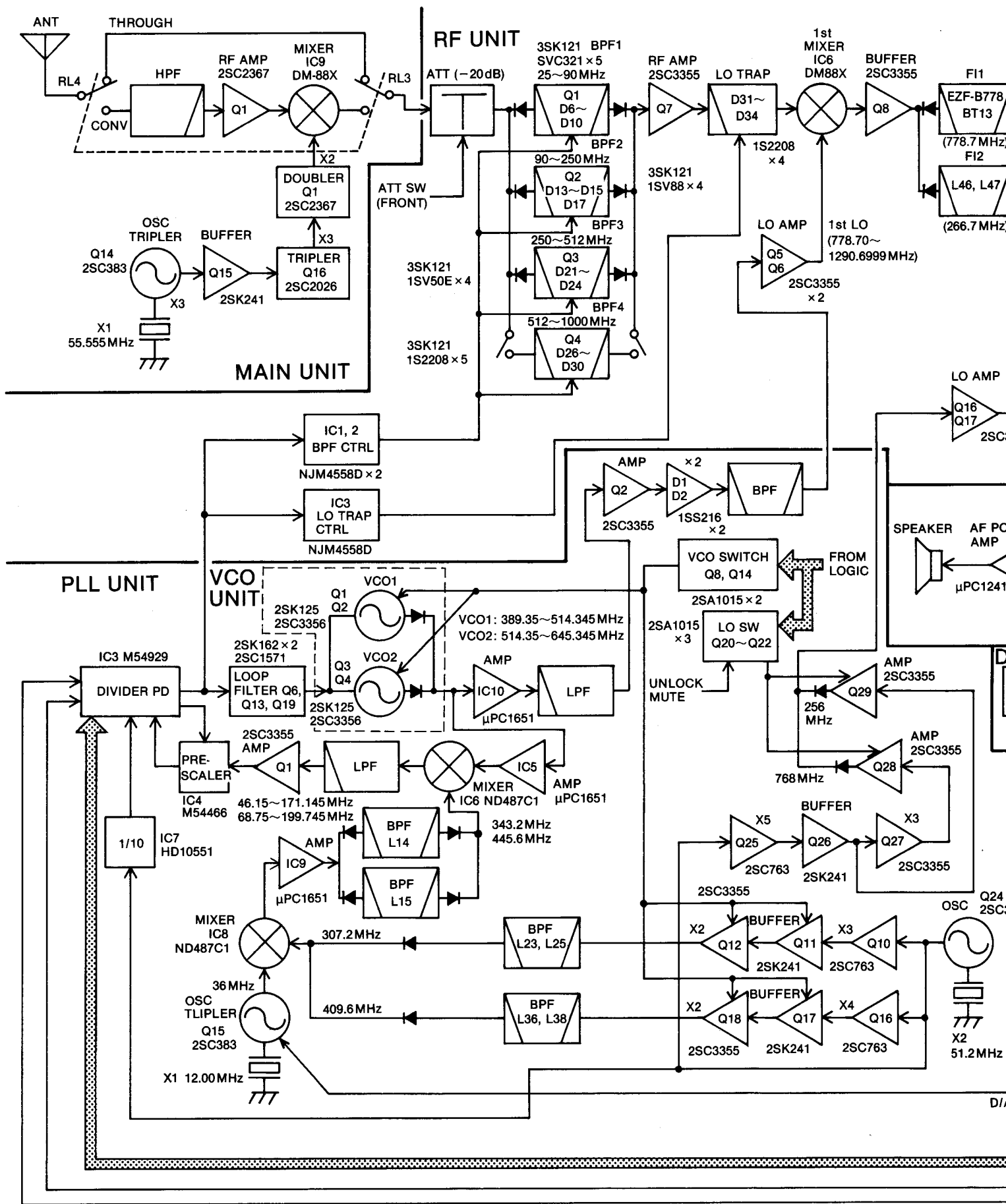
2-6 INSIDE BOTTOM VIEW (POWER SUPPLY AND DC-DC CONVERTER UNITS)

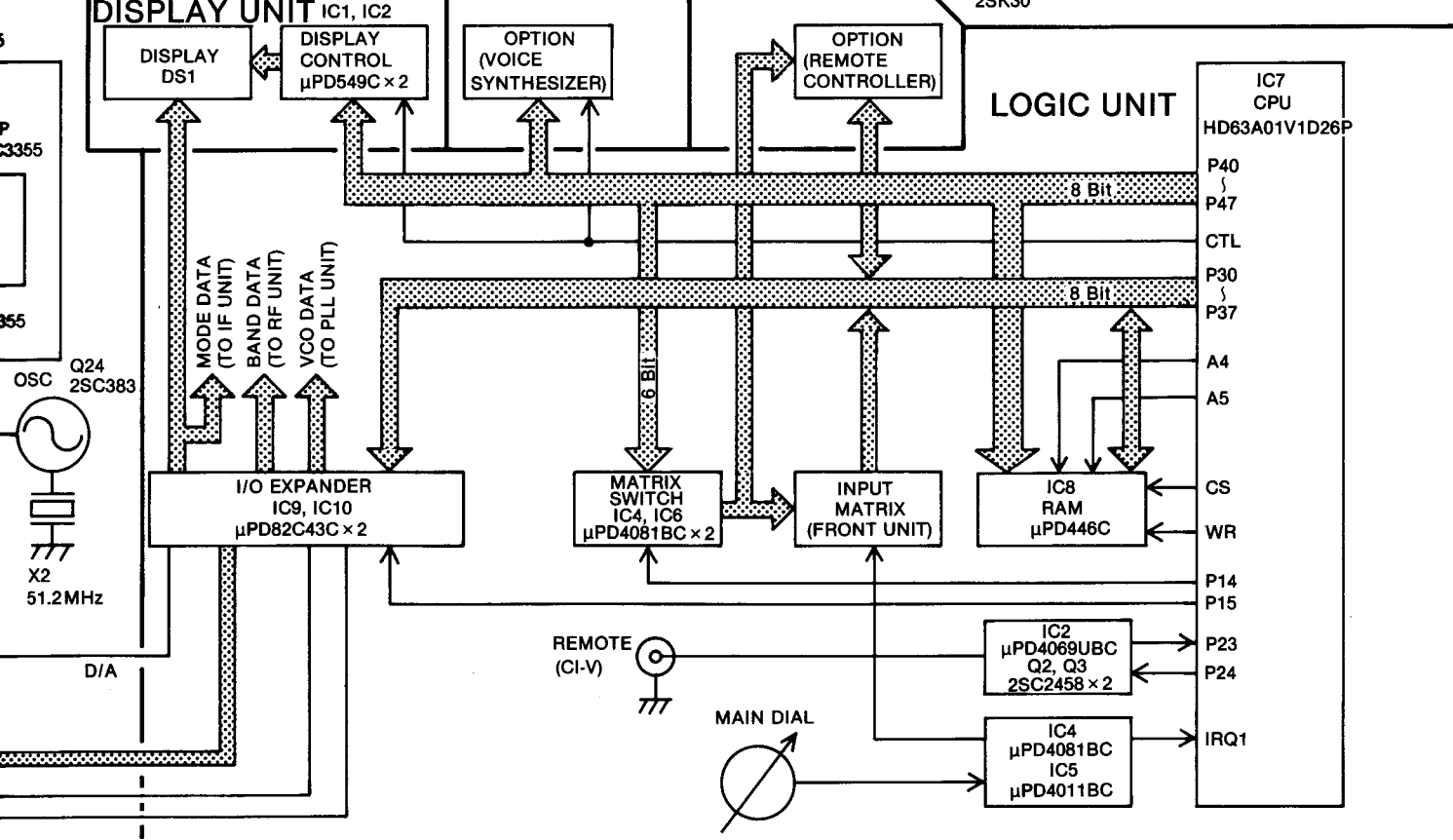
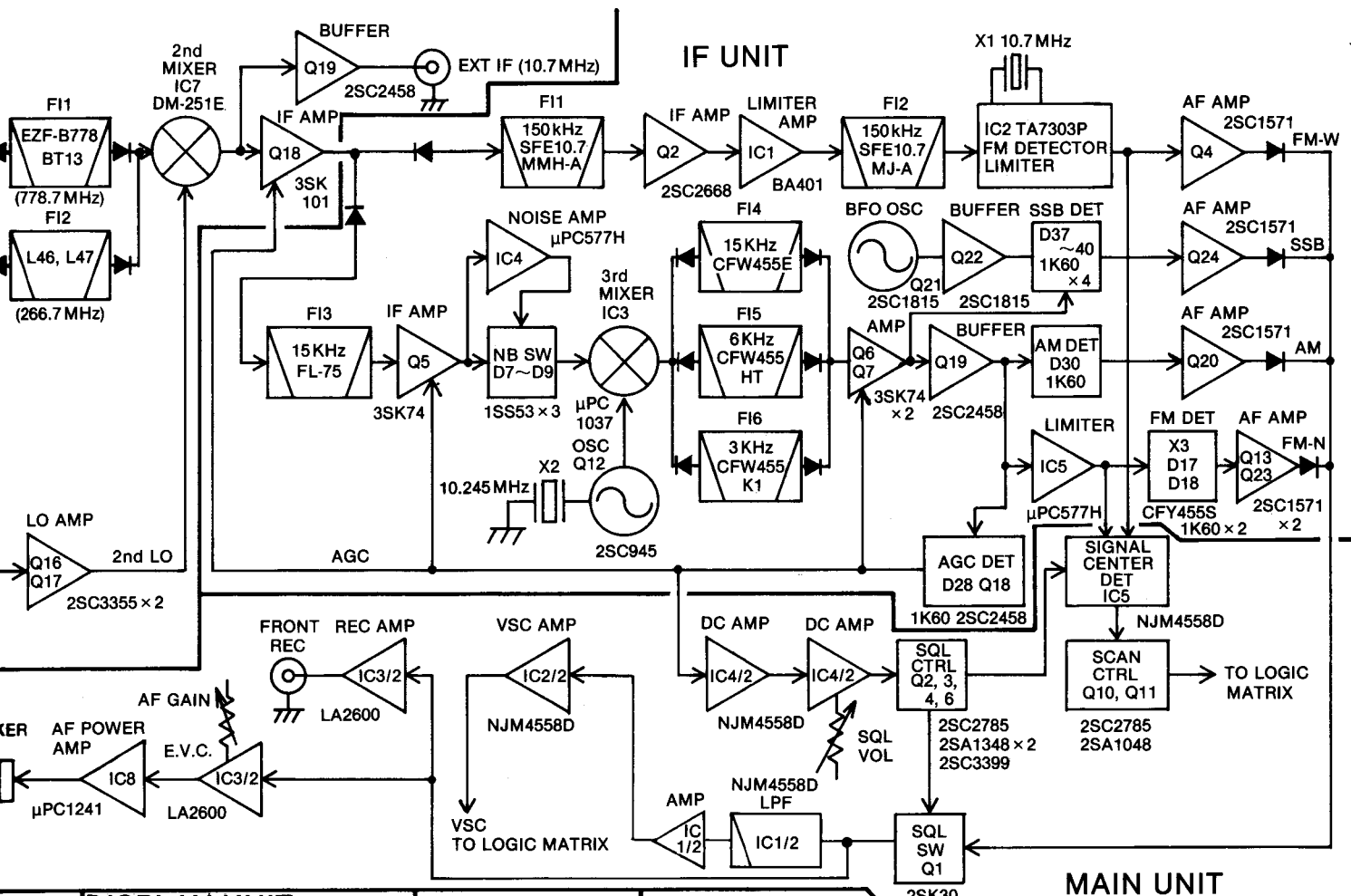


2-7 INSIDE BOTTOM VIEW (LOGIC UNIT)



SECTION 3 BLOCK DIAGRAM





4-1 RECEIVER CIRCUITS

4-1-1 CONVERTER CIRCUIT (MAIN UNIT)

Input signals from the ANTENNA CONNECTOR are switched by RF relays RL3 and RL4 on the MAIN UNIT either to through or to the converter circuit according to receive frequency.

When the receive frequency is 1025~1999.9999MHz, receive signals are applied to the converter circuit for heterodyning. This circuit converts 1025~1999.9999MHz receive signals to 25~999.9999MHz.

A HPF consisting of L9 and C87~C89 attenuates strong interfering signals in the 200MHz band.

When the receive frequency is higher than 1025MHz, signals from the ANTENNA CONNECTOR are applied to the HPF UNIT. This unit consists of a HPF and an RF amplifier. The HPF consists of a strip line, C1~C6, C8 and C10~C16. The HPF attenuates signals with frequencies below 1200MHz and prevents LO signals (1GHz) from leaking through the ANTENNA CONNECTOR. Q1 is an RF amplifier and has a gain of approximately 10dB at 1200MHz.

X1 and Q14 oscillate a frequency of 55.555MHz. Output from Q14 is multiplied by three at L3~L5, C31, C44 and C46 to form a frequency of 166.66MHz. The 166.66MHz frequency is amplified by Q15. Output from Q15 is multiplied by three at Q16 to form a frequency of 500MHz, and then the 500MHz signal (0dBm) is applied to the MAIN DOUBLER UNIT.

In the MAIN DOUBLER UNIT, output from Q16 on the MAIN UNIT is multiplied by two at Q1 to form a LO signal (1000MHz, 10dBm) for the double balanced mixer IC9.

4-1-2 20dB ATTENUATOR CIRCUIT (RF UNIT)

Receive signals from the MAIN UNIT are applied to a BPF consisting of a strip line, L3 and C1~C6. This circuit attenuates signals that exit the passband of the BPF.

IC5 switches receive signals through or to the attenuator.

The attenuator consisting of R2~R8 provides attenuation of approximately 20dB.

4-1-3 RF AMPLIFIER CIRCUIT (RF UNIT)

Receive signals are switched by diodes D5, D11, D12, D18, D19 and D25 to each RF amplifier. With frequencies higher than 512MHz, RF relays RL1 and RL2 are used for the switching.

Receive signals of 25~999.9999 or 1025~1999.9999 MHz are quadrisectioned as indicated in Table 1, and then each signal is applied to the RF amplifiers.

Each tuned amplifier has approximately 10dB gain.

Table 1 shows the relation among receive frequencies (F_{RX}) and RF amplifiers.

RECEIVE FREQUENCY F_{RX} [MHz]	RF AMPLIFIER
25~ 89.9999 1025~1089.9999	BPF1 (Q1)
90~ 249.9999 1090~1249.9999	BPF2 (Q2)
250~ 519.9999 1250~1519.9999	BPF3 (Q3)
512~ 999.9999 1512~1999.9999	BPF4 (Q4)

Table 1

(a) BPF1

Receive signals via D5 are fed to parallel resonance circuit D6, L11 and C15 to attenuate interference signals which frequencies are half of receive frequencies.

Receive signals via D6, L11 and C15 are then applied to the RF amplifier. The input tuning circuit of the RF amplifier is composed of varicaps D7, D8 and L12~L14. The output tuning circuit is composed of varicaps D9, D10 and L16~L18.

These circuits are tuned by the tuning voltage from IC1(A). In addition, D50 prevents varicaps from being charged over their maximum rated voltage.

(b) BPF2

Receive signals via D12 are fed to a parallel resonance circuit consisting of D13, L22 and C25. The circuit attenuates the interference signals which frequencies are half of receive frequencies.

A series-parallel resonance circuit is composed of varicap D14, L70 and C61. The circuit attenuates strong signals of FM and TV broadcasts in a frequency range of 80~110MHz.

The input tuning circuit of the RF amplifier is composed of Q4, varicap D15, L23~L25 and C119. The output tuning circuit is composed of D17, L27~L29 and C120.

These tuning circuits are tuned by the tuning voltage from IC1(B). In addition, D51 protects varicap from being negatively charged.

(c) BPF3

Receive signals via D19 are fed to a HPF consisting of L32, L69, C34, C35, C51 and C133. The cut-off frequency of the HPF is 240MHz.

The receive signals are then input to the RF amplifier. The input tuning circuit of the RF amplifier (Q3) is composed of D21, D22, L33 and L34. The output tuning circuit is composed of D23, D24, L36 and L37.

These circuits are tuned by the tuning voltage from IC2(A).

(d) BPF4

Receive signals via RL1 are fed to the parallel resonance circuit consisting of varicap D26, L39 and C45. The circuits attenuate interference signals to half of the receive frequency.

Input and output tuning circuits of the RF amplifier are composed of a strip line and varicaps D27~D30. By utilizing the strip line, stable operations are maintained at high frequencies.

These circuits are tuned by the tuning voltage from IC2(B).

4-1-4 RF AMPLIFIER (RF UNIT)

Signals from BPF are then applied to wide frequency band amplifier Q7 with a gain of approximately 10dB.

4-1-5 LO TRAP (TUNED NOTCH) CIRCUIT (RF UNIT)

The LO trap circuit consisting of a strip line and D31~D34 prevents the 1st LO signal leakage to the ANTENNA CONNECTOR.

The notch frequency is controlled by a control voltage from IC3(B), matching the 1st LO frequency.

A LPF consisting of a strip line and C78, C82, C89 and C137 attenuates higher harmonics of the 1st LO signal.

4-1-6 1ST LO AND 1ST MIXER CIRCUITS (RF UNIT)

A BPF consisting of a strip line, L78, C134, C59, C77 and C53~C55 attenuates unnecessary signals from the PLL UNIT.

Table 2 shows the relation among receive frequencies (F_{RX}) and 1st LO frequencies ($F_{1st LO}$).

RECEIVE FREQUENCY F_{RX} [MHz]	1st LO FREQUENCY $F_{1st LO}$ [MHz]
25~ 89.9999 1025~1089.9999	803.7~ 868.6999
90~ 249.9999 1090~1249.9999	868.7~1028.6999
250~ 519.9999 1250~1519.9999	1028.7~1290.6999
512~ 999.9999 1512~1999.9999	778.7~1266.6999

Table 2

Q5 and Q6 amplify the 1st LO signal from the PLL UNIT to approximately 10dBm. The output of Q6 is applied to IC6.

A DBM (double-balanced mixer) IC6 converts receive signals to 1st IF (778.7MHz or 266.7MHz) signals.

4-1-7 1ST IF CIRCUIT (RF UNIT)

(a) 1st IF AMPLIFIER

1st IF signals from IC6 are amplified at Q8 and they are applied to F11 or F12.

Table 3 shows the relation among receive frequencies (F_{RX}) and 1st IF frequencies ($F_{1st IF}$).

RECEIVE FREQUENCY F_{RX} [MHz]	1st IF $F_{1st IF}$ [MHz]
25~ 89.9999 1025~1089.9999	778.7 (F11)
90~ 249.9999 1090~1249.9999	778.7 (F11)
250~ 519.9999 1250~1519.9999	778.7 (F11)
512~ 999.9999 1512~1999.9999	266.7 (F12)

Table 3

(b) F11 CIRCUIT

The F11 circuit is a BPF with a center frequency of the passband at 778.7MHz and a pass-bandwidth of 5MHz. The image interference signal (757.3MHz) is attenuated by a notch filter consisting of L51, and C79.

(c) F12 CIRCUIT

The F12 circuit is a BPF with a center frequency of the passband at 266.7MHz and a pass-bandwidth of 5MHz. The image interference signal (245.3MHz) is attenuated by a notch filter consisting of L67, L68, and C88. Series resonance circuits consisting of L73, C86, L74, and C90 sufficiently attenuate off-band signals.

1st IF signals from the F11 or F12 circuits pass through a LPF consisting of a strip line and C139~C141. 1st IF signals are then fed to IC7.

4-1-8 2ND MIXER CIRCUIT (RF UNIT)

The 2nd LO signal (256MHz or 768MHz) from the PLL UNIT is fed to a LPF consisting of a strip line, C104, C105, and C146. The 2nd LO signal is amplified by Q16 and Q17 to approximately 10dBm, and is then fed to a 3dB attenuator (ATT) consisting of R116~R118.

Table 4 shows the relation among receive frequencies (F_{RX}) and 2nd LO frequencies ($F_{2nd LO}$).

RECEIVE FREQUENCY F_{RX} [MHz]	2nd LO FREQUENCY $F_{2nd LO}$ [MHz]
25~ 89.9999 1025~1089.9999	768
90~ 249.9999 1090~1249.9999	768
250~ 519.9999 1250~1519.9999	768
512~ 999.9999 1512~1999.9999	256

Table 4

A double-balanced mixer IC7 converts 1st IF signals to 2nd IF (10.7MHz) signals.

A LPF consisting of C142~C144 attenuates higher harmonics of 2nd LO signal from IC7. Q18 amplifies 2nd IF signals from IC7, and the output of Q18 is fed to the IF UNIT.

A part of 2nd IF signals from IC7 is buffer-amplified at Q19, then is applied to a LPF consisting of L60 and C114~C116. These signals are then fed to the [10.7MHz IF OUTPUT] JACK.

4-1-9 TUNED CONTROL CIRCUIT (RF UNIT)

This circuit converts the lock voltage from the PLL UNIT to tuned voltages for the LO trap (tuned notch) circuit and BPF1~BPF4.

Fig. 1 shows the relation among receive frequencies, the control voltage, the tuned voltage for BPFs and the tuned voltage for the LO trap circuit.

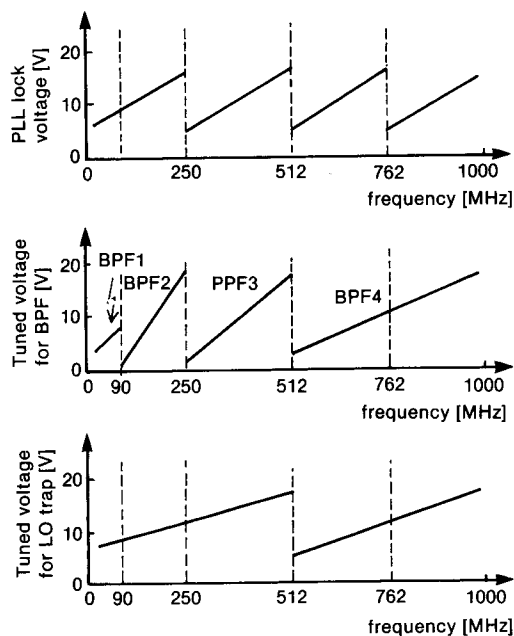


Fig. 1

IC3(A) DC-amplifies the CV from the PLL UNIT, and IC3(A) supplies IC1(A), IC1(B), IC2(A), and IC2(B) with control voltage.

IC1(A) supplies BPF1 with a tuned voltage. The gain and offset voltage of IC1(A) are controlled by R68 and R66, respectively.

IC1(B) supplies BPF2 with a tuned voltage. D53 and R157 adjust the gain of IC1(B) to fit the characteristics of BPF2.

IC2(A) supplies BPF3 with a tuned voltage.

IC2(B) supplies BPF4 with a tuned voltage. The gain and offset voltage of IC2(B) are switched by Q9 and Q10, respectively, to convert the variations of two PLL lock voltages to a continuous tuned voltage.

IC3(B) supplies a tuned voltage with the LO trap (tuned notch) circuit. The offset voltages of IC3(B) are switched by Q11 to convert the variations of two PLL lock voltages to a continuous tuned voltage.

4-1-10 POWER SOURCE SWITCHING CIRCUIT (RF UNIT)

IC5 switches the power source of each RF amplifier and attenuators by signals from the LOGIC UNIT.

Q21 and D52 are voltage converters and regulators of the power source for IC5.

An inverter circuit consisting of Q12 and R106 reverses ATT signals from the LOGIC UNIT to make THROUGH signal.

Q14 and Q15 are power source switches for RF relays RL1 and RL2. Q14 and Q15 turn ON via BPF4 signals.

BPF4 signals control IC4, and IC4 outputs positive voltage to pin 7 (when the receive frequency is 25~511.9999 or 1025~151.9999MHz) or pin 1 (when the receive frequency is 512~999.9999 or 1512~1999.9999MHz).

4-1-11 AGC BUFFER CIRCUIT (RF UNIT)

An AGC voltage buffer Q20 converts AGC voltage variation (4~0V) to the voltage variation that is required for Q1~Q4.

4-1-12 FM (wide) CIRCUIT (IF UNIT)

In FM (wide) mode, 2nd IF signals (10.7MHz) from the RF UNIT are impedance-converted at L1, and fed to F11. 2nd IF signals from F11 are amplified at Q2 and IC1. The gain of Q2 and IC1 is approximately 40dB.

2nd IF signals are then applied to IC2, and are limiter amplified and then detected to obtain AF signals.

AF signals from IC2 are applied to buffer amplifier Q4. This circuit switches AF signals and matches the level of AF signals with other modes.

4-1-13 AGC CIRCUIT FOR FM (wide) MODE (IF UNIT)

IC2 (pin 3) generates a voltage corresponding to the signal strength of IF signals. Q30 is a buffer for DC voltage. When IF signals are strong, Q30 turns Q26 ON to cut off the AGC voltage.

When IF signals become stronger the AGC maintains the voltage of IC2 (pin 3) at a constant value.

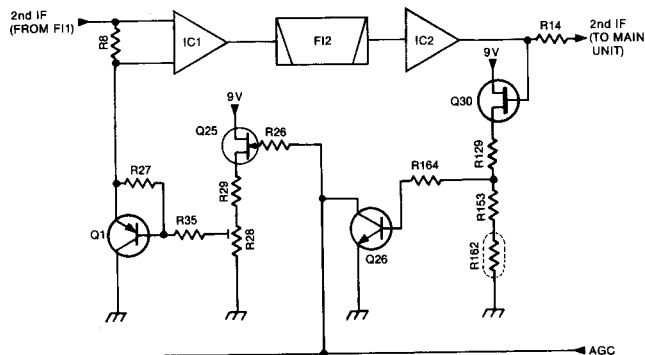


Fig. 2

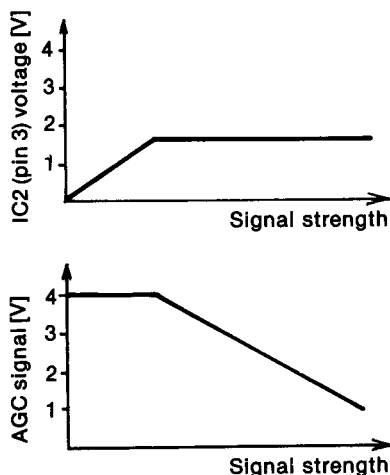


Fig. 3

4-1-14 2ND IF CIRCUIT FOR FM (narrow), SSB AND AM MODES (IF UNIT)

In FM (narrow) mode, SSB mode, or AM mode, 2nd IF signals (10.7MHz) are applied to FI3. FI3 sufficiently attenuates unrequired signals. The 2nd IF signals are then amplified at Q5. The gain from L4 to L5 is approximately 28dB.

4-1-15 NOISE BLANKER CIRCUIT (IF UNIT)

Part of the receive signals from Q5 is amplified by IC4 and detected by D32 and D33. AGC detector Q9 controls the gain of IC4 via DC amplifier Q29. The time constant of the noise blanker circuit is determined by R156, R157 and C65. Q10 turns ON or OFF according to the detected pulses. While pulse-type noise is received, Q10 turns Q11 ON. The noise blanker switch consisting of D7 and D9 is reverse-biased, and the 2nd IF signals are cut OFF.

4-1-16 3RD MIXER AND 3RD LO CIRCUIT (IF UNIT)

2nd IF signals from the noise blanker switch are applied to double-balanced mixer IC3. IC3 converts 2nd IF signals (10.7MHz) to 3rd IF (455kHz) signals utilizing 3rd LO signals (10.245MHz) which are oscillated by X2 and Q12.

Output signals from IC3 is impedance-converted by L13 and C25, and is fed to the 3rd IF circuit.

4-1-17 3RD IF CIRCUIT (IF UNIT)

3rd IF (455kHz) signals from the noise blanker switch are then applied to filters corresponding to each mode.

FI4 (pass-bandwidth 15kHz) is a filter for FM (narrow) and AM modes. FI5 (pass-bandwidth 6kHz) is a filter for AM mode. FI6 is a filter for SSB mode. (pass-bandwidth 2.8kHz.) Cermaic filters are used for all of these.

In AM mode, FI4 and FI5 can be selected by J8 on the IF UNIT.

Q6 and Q7 amplify 3rd IF signals. R165 is a thermistor for temperature compensation.

4-1-18 BFO (BEAT FREQUENCY OSCILLATOR) CIRCUIT AND SSB DETECTOR CIRCUIT (IF UNIT)

A BFO (Beat Frequency Oscillator) consists of Q21 and Q22 and supplies to the SSB detector circuit a beat frequency signal.

In LSB mode, Q31 is turned ON by the LSB mode (LSB) signal from the EF UNIT, and the capacitance of C133 and C134 is added to L15, C130, and C119 to shift the oscillation frequency 3kHz up.

Output signal from the 3rd IF circuit and a beat frequency signal from the BFO circuit are applied to the SSB detector circuit consisting of D37~D40. This circuit detects SSB signals.

AF amplifier Q24 switches AF signals from the SSB detector circuit and Q24 matches the level of AF signals with other modes.

4-1-19 FM (narrow) DETECTOR CIRCUIT (IF UNIT)

In FM (narrow) mode, 3rd IF signals from Q7 are applied to Q19, and then are limiter-amplified by IC5 to remove AM components in 3rd IF signals. Ceramic discriminator X3 is used for FM detection to obtain AF signals.

Q13 and Q23 form a deemphasis circuit and a HPF to attenuate low frequency (below 200Hz) components in AF signals.

4-1-20 AM DETECTOR CIRCUIT (IF UNIT)

In AM mode, 3rd IF signals from Q19 are detected at D30. AF signals from D30 are amplified by Q20.

4-1-21 AGC CIRCUIT FOR FM (narrow), SSB AND AM MODES (IF UNIT)

In FM (narrow) mode, SSB mode and AM mode, a part of 3rd IF signals from Q19 are applied to AGC detector circuit D28 to rectify 3rd IF signals. The DC voltage from D28 is DC-amplified at Q18.

In AM mode and SSB mode, Q16 turns Q17 ON and C89 is applied to C91, resulting in a longer time constant than in FM (narrow) mode. The rise (attack) time constant for AGC is determined by C89, C91 and R114, and the fall (delay) time constant is determined by R113.

The AGC voltage (when the IC-R7000 receives no signal) is offset by approximately 4V by R117 and R116.

Q18 supplies IF, RF and MAIN UNITS with the AGC signal.

4-1-22 5kHz NOTCH CIRCUIT (IF UNIT)

AF signals in each mode are fed to a 5kHz notch filter consisting of IC6(A), R167~R172, and C135~C140. This circuit attenuates the 5kHz AF signal generated by leakage of the PLL reference frequency. In this circuit, the Q-factor can be adjusted by R171.

IC6 (A) sends the AF signals to the MAIN UNIT.

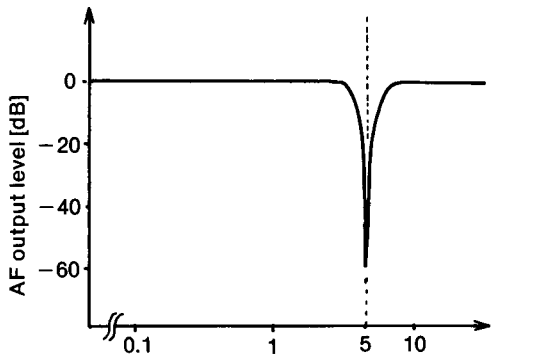


Fig. 4 Audio frequency [kHz]

4-1-23 POWER SUPPLY CIRCUIT (IF UNIT)

Q14 and Q15 switch 9V in FM (wide) mode and other modes. In FM (wide) mode, Q15 is switched ON, while Q14 is switched ON in other modes.

Mode signals from the LOGIC UNIT switch the AF amplifier of each mode and IF filters by the diode matrix composed of D22~D26, D29, D45 and D46.

4-1-24 NOISE SQUELCH CIRCUIT (IF UNIT)

Noise squelch operates in FM (narrow) mode and AM mode.

A part of AF signals from X3 is fed to active filter IC6(B). The noise components of AF signals pass through the active filter, and are double voltage rectified by D35 and D36. The voltage from D35 and D36 is then charged to C30. The voltage of C30 is fed to the squelch circuit in the MAIN UNIT as squelch voltage (SQLV).

(MAIN UNIT)

Noise voltage from the IF UNIT is DC-amplified at IC7(A). The output of IC7(A) passes through a voltage limiter circuit consisting of D28, D29 and R116, and then enters comparator IC7(B). The reference voltage of IC7(B) is varied by the [SQUELCH] CONTROL, and controls the squelch threshold level.

4-1-25 METER SQUELCH CIRCUIT (MAIN UNIT)

AGC signal from the IF UNIT is applied to IC4(A), and is inversion-amplified. Reference voltage of the meter squelch is varied by the [SQUELCH] CONTROL, and is applied to IC4(B) via Q9 and D19.

The meter squelch is switched ON and OFF depending on the output of the above comparator.

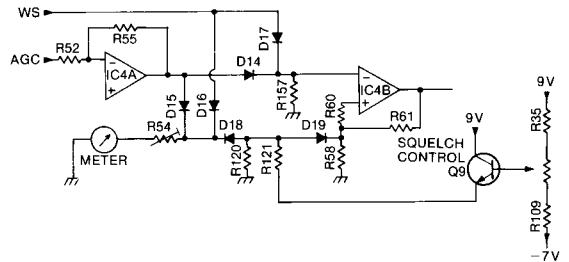


Fig. 5

4-1-26 CENTER DETECTOR CIRCUIT

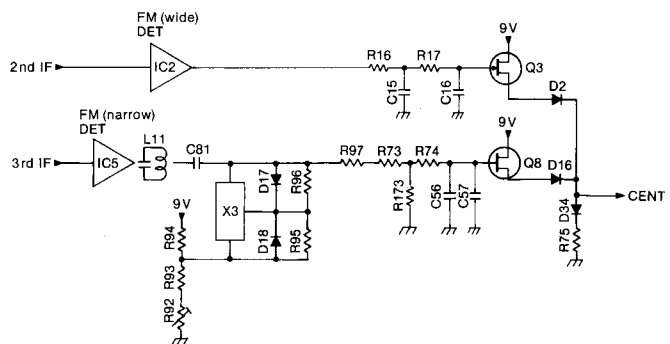


Fig. 6

(IF UNIT)

Output voltage of the FM (wide) and FM (narrow) detector circuits differ from each other in the center frequency of IF signals. Therefore, in FM (narrow) mode the offset voltage is applied to the output of the detector circuit by R92~R94, and is adjusted at R92 to the same output voltage of FM (wide) mode. Q3 and Q8 are DC voltage buffers.

(MAIN UNIT)

CENT signal is applied to a window comparator consisting of IC5(A) and IC5(B). The offset voltage is adjusted at R66 to make the window comparator output 0V when the IC-R7000 receives the center frequency of the signal. IC5(A) and IC5(B) output the STOP signal to the LOGIC UNIT.

4-1-27 SQUELCH SWITCH CIRCUIT (MAIN UNIT)

The base of Q2 receives output voltage from IC7(B) via D27 when the noise squelch is activated, or output voltage from IC4(B) via D20 when the meter squelch is activated. Q2 switches Q3. Q6 turns Q1 (the squelch switch) ON and OFF, and Q1 switches AF signals. The collector voltage of Q3 is applied to the base of Q4. The, and the output of Q4 lights up the "SIG" INDICATOR on the FREQUENCY DISPLAY.

4-1-28 VSC (Voice Scanning Control) CIRCUIT (MAIN UNIT)

This circuit sends the VSC signal to the LOGIC UNIT when the IC-R7000 receives signals with AF signal components.

Output from Q1 is fed to IC1(A). An active low-pass filter consisting of IC1(A), R7~R12, and C6~C10 blocks signals higher than 1kHz to prevent circuit malfunctions. Output from IC1(A) is amplified by IC1(B). D2 detects AF signal components in the output of IC1(B), and then the detected voltage is charged at C15. The voltage of C15 is applied to comparator IC2(A). IC2(A) outputs "HIGH" output to pin 7 only when receiving signals with AF signal components.

Q5 and Q7 control relay RL1 for the [RECORDER-REMOTE] JACK. RL1 turns ON when the squelch opens. VSC operation is given priority even when the squelch opens. When the VSC function is activated, the MO signal from the LOGIC UNIT is applied to Q7, and RL1 turns OFF.

4-1-29 SCANNING CONTROL CIRCUIT (MAIN UNIT)

Output from the center detector circuit and the MUTE signal from the LOGIC UNIT is applied to the base of Q10. Q10 turns OFF only when the CENT signal and MUTE signal is "LOW" (the squelch opens when the receiver is tuned to the center frequency). When Q10 turns OFF, a STOP signal is sent to the LOGIC UNIT via R72 and Q11, and scanning stops.

Q11 switches the STOP signal OFF when the [SQUELCH] CONTROL is turned fully counterclockwise.

4-1-30 METER CIRCUIT (MAIN UNIT)

(a) S-METER CIRCUIT

In FM (wide) mode, the METER receives S-meter (SM) signals via D16 when receiving a strong signal, or SM signals from IC4(A) via D15 when receiving a weak signal.

In FM (narrow), SSB or AM modes, the METER receives SM signals via D18.

(b) CENTER METER CIRCUIT

CENT signal from the IF UNIT is inversion-amplified at IC2(B). Output voltage from IC2(B) is applied to the METER as a center meter (CM) signal.

In SSB mode, Q17 turns the center (CENT) signal from IC5 and the center meter (CM) signal from IC2(B) OFF.

4-1-31 AUDIO FREQUENCY (AF) AMPLIFIER CIRCUIT (MAIN UNIT)

Output from Q1 is applied to IC3(B) (pin 1). The [AF GAIN] CONTROL controls the voltage of IC3(B) (pin 13) to vary the AF gain.

Output from IC3(B) is amplified up to a sufficient AF level by IC8 to drive the speaker SP1.

Output from Q1 is also applied to buffer amplifier IC3(A). Output from IC3(A) is fed to the [RECORDER-REMOTE] JACK.

Q18 amplifies SPK signals from the optional IC-EX310 VOICE SYNTHESIZER UNIT, and signals from Q18 are applied to IC3(B).

4-2 POWER SUPPLY CIRCUITS

4-2-1 REG CIRCUIT (REG UNIT)

The AC power source from the AC POWER SOCKET is fed to T1.

Voltage from T1 is rectified by D1, next it is then fed to the stabilization circuit consisting of Q1, Q2, and Q3, and then it is supplied to other circuits.

4-2-2 DC-DC CONVERTER CIRCUIT (DC-DC UNIT)

This circuit converts 13.8V DC from the REG UNIT to -7V, -12V and +24V DC voltage. This circuit consists of a oscillation circuit, a voltage step up/down transformer, and three regulator circuits.

(MAIN UNIT)

RL2 is a power ON/OFF switch operated by the optional RC-12 WIRELESS REMOTE CONTROLLER. The power control (POC) signal from the RC-12 switches Q13 and Q13 switches RL12.

IC6 is a voltage regulator that supplies a stabilized 9V to the MAIN UNIT, IF UNIT and RF UNIT.

4-3 PLL CIRCUIT (PLL UNIT)

This circuit generates the 1st LO signals (778.70~

1290.699MHz) for the 1st mixer, and 2nd LO signals (256 or 768MHz) for the 2nd mixer.

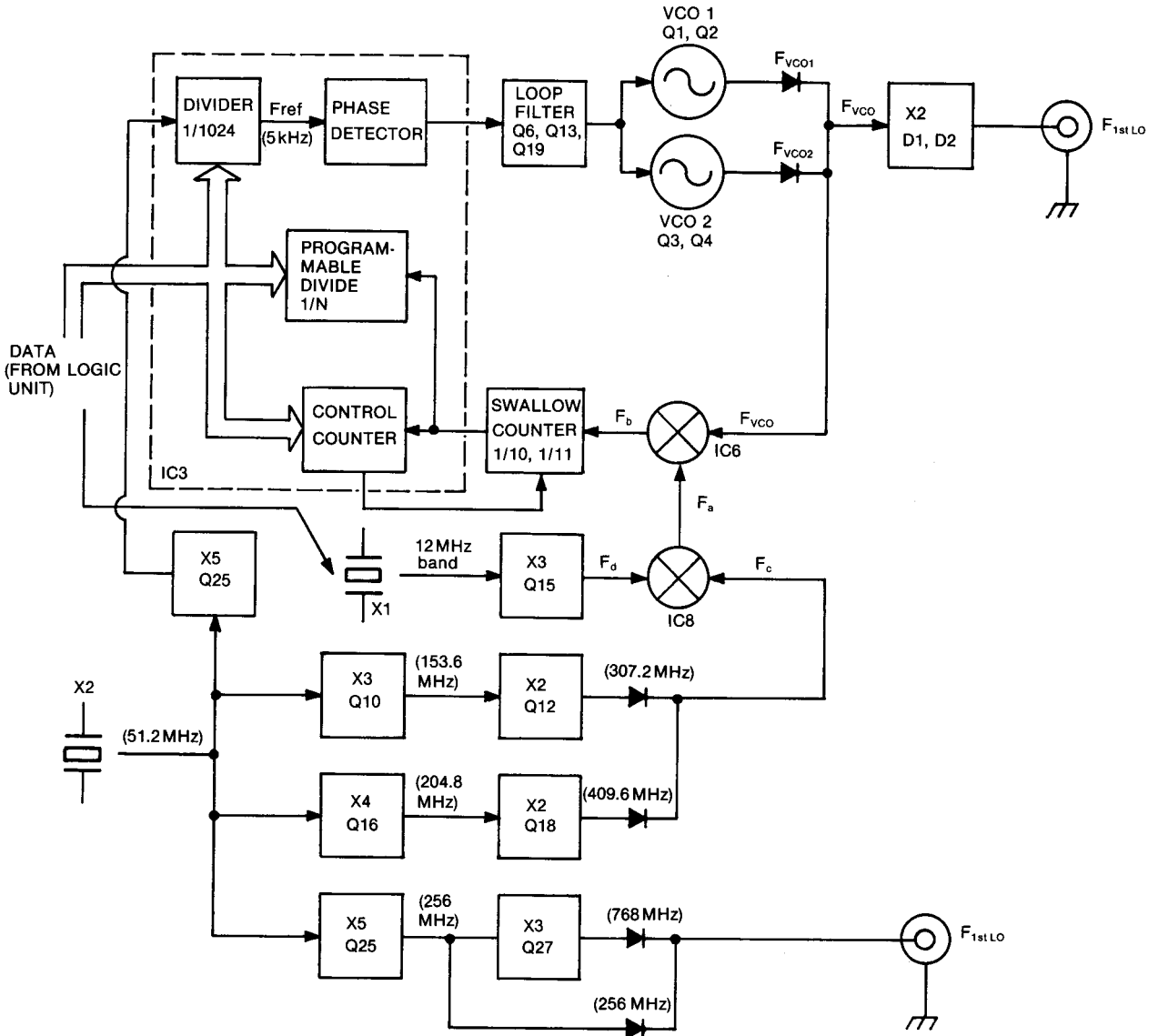


Fig. 7

4-3-1 REFERENCE OSCILLATOR CIRCUIT

This circuit consists of crystal X1 and Q24.

The output (51.2MHz) of Q24 is used to make for the reference frequency of the PLL (F_{ref}), the LO frequency in the PLL loop (F_a), and 2nd LO signal ($F_{2nd LO}$).

In addition, the output of Q24 is divided into 1/10 at IC7, and then fed to IC3.

4-3-2 2_{ND} LO CIRCUIT

(a) 256 MHz 2_{ND} LO SIGNAL CIRCUIT

The signal from Q24 is multiplied by five at Q25, and passes through L41~L43, Q26, and Q29. Q29 outputs a 2nd LO signal ($F_{2nd LO}=256\text{MHz}$, 0dBm).

(b) 768 MHz 2_{ND} LO SIGNAL CIRCUIT

The signal from Q26 is multiplied by three at Q27, and Q28 outputs the another 2nd LO signal ($F_{2nd LO}=768\text{MHz}$, 0dBm).

The band signal (BS) switches the above two kinds of 2nd LO signals according to the receive frequency.

Q20 and Q21 turns OFF according to the MUTE signal when in an unlocked condition or by the BLK signal when in blank memory channel.

4-3-3 PLL LOOP SYSTEM

This circuit generates the 1st LO signal for the RF UNIT.

(a) VCO CIRCUIT

The VCO circuit consists of the λ -resonator circuit with a micro-strip line. This allows for a variable range of 389.35~645.35 MHz by two VCOs.

IC3 controls oscillation frequencies of this circuit. The VCO selector (VS) signal switches VCOs according to receive frequencies.

(b) PLL LOOP CIRCUIT

The VCO output is amplified by IC10 and passes through a LPF, Q2 and is multiplied by two at a doubler circuit consisting of D1, D2 and L5. It is fed to the BPF, and then is applied to the MAIN UNIT as a 1st LO signal.

A part of the VCO output signals (F_{vco}) is amplified by IC5, and is mixed with the LO signal in the PLL loop (F_a) from the VCO UNIT at IC6 for heterodyning. The relation of F_b , F_{vco} and F_a is as follows:

$$F_b = F_{vco} - F_a \quad (\text{See Fig. 7})$$

The signal from IC6 (F_b) passes through L9, L10, and Q1, and it is fed to IC4. The limiter D5 and D6 prevents excessive signal input.

(c) LO CIRCUIT IN PLL LOOP

When F_{RX} is between 25 and 249.9999MHz or 512 and 761.9999MHz:

The output of X2 (51.2MHz) is multiplied by three at Q10. The signal from Q10 passes through L18~L20, and Q11, and then it is multiplied by two at Q12 to obtain F_c (307.2MHz). The output of Q12 passes through L23 and L25 and then is fed to mixer IC8.

When F_{RX} is between 250 and 511.9999MHz or 762 and 999.9999MHz:

The output of X2 (51.2MHz) is multiplied by four at Q16. The signal from Q16 passes through L31~L33, and Q17 and then is multiplied by two at Q18 to obtain F_c (409.6MHz). The output of Q18 passes through L36 and L38 and then is fed to mixer IC8.

X1 oscillates 12MHz band signals, and the DA signal from the LOGIC UNIT controls oscillation frequencies of X1. Signals from X1 are multiplied by three at Q15 to obtain F_d .

F_d varies between 36 and 36.00495MHz in 50Hz steps. In addition, F_d shifts $\pm 0.75\text{kHz}$ depending on the [USB/LSB] SELECTOR SWITCH. The output of the 1st LO signal (F_{1stLO}) is obtained by double multiplication, so F_{1stLO} shifts $\pm 1.5\text{kHz}$.

F_d and F_c are mixed at IC8 to obtain F_a (the LO frequency in the PLL loop). The relation of F_a , F_c and F_d is as follows:

$$F_a = F_c + F_d \quad (\text{See Fig. 7})$$

4-4 LOGIC CIRCUIT (LOGIC UNIT)

4-4-1 CPU

IC7 (a high-speed 8-bit COMS CPU) controls data such as mode, receive band, VCOs and expanded output ports IC9 and IC10.

The CPU's port addressing is shown in Fig. 9.

CPU PIN CONNECTION

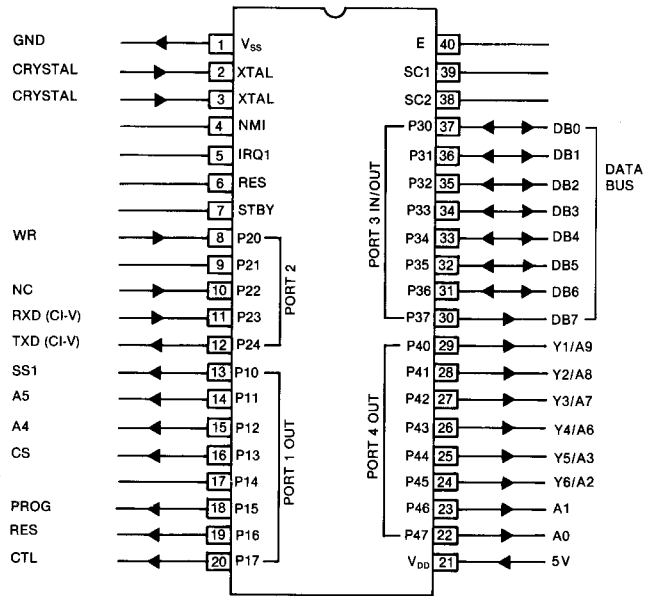


Fig. 8

4-4-2 MATRIX ALLOCATION

The matrix allocation is shown in Fig. 10.

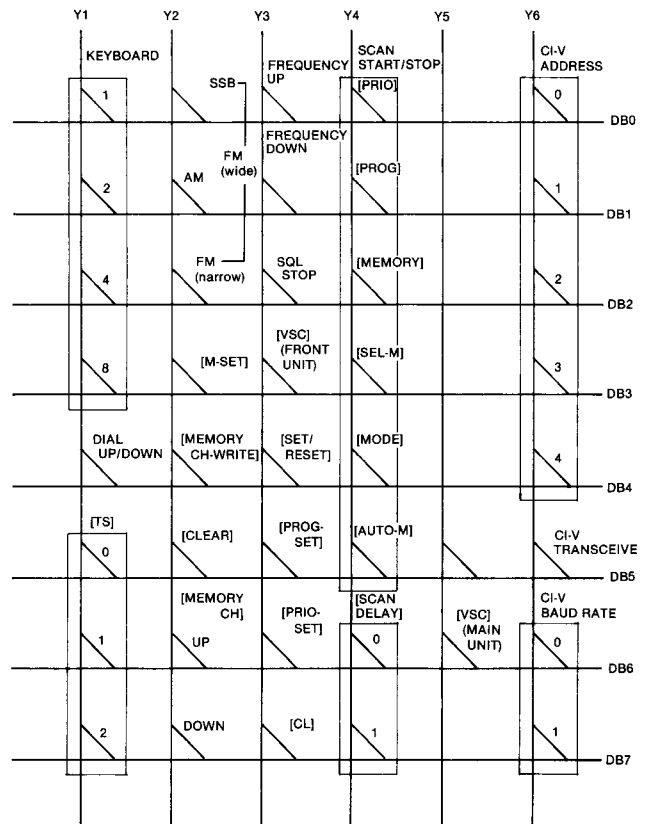


Fig. 9

(a) Y1 → DB0~DB3 (KEYBOARD, MEMORY-CH ENTER)
 Following is a matrix for the KEYBOARD, MEMORY-CH ENTER and the optional RC-12 WIRELESS REMOTE CONTROLLER.

KEY \ Y1 →	DB0	DB1	DB2	DB3	HEX CODE
1	H	L	L	L	1
2	L	H	L	L	2
3	H	H	L	L	3
4	L	L	H	L	4
5	H	L	H	L	5
6	L	H	H	L	6
7	H	H	H	L	7
8	L	L	L	H	8
9	H	L	L	H	9
0	L	H	L	H	A
*1 MEMORY CH ENTER	H	H	L	H	B
•	L	L	H	H	C
ENT	H	L	H	H	D
*2 CE	L	H	H	H	E

*1: Used in [MEMORY CH] CONTROL.
 *2: Used in the optional RC-12 WIRELESS REMOTE CONTROLLER.

Table 5

(b) Y1 → DB4 (DIAL UP/DOWN)
 When a TUNING CONTROL clock signal is input, the following results will occur.

Y1 → DB4	RESULT
H	The receive frequency increases.
L	The receive frequency decreases.

Table 6

(c) Y1 → DB5~7 [TS]
 This matrix sets frequency steps.

TS \ Y1 →	DB5	DB6	DB7
0.1kHz	L	L	L
1kHz	H	L	L
5kHz	L	H	L
10kHz	H	H	L
12.5kHz	L	L	H
25kHz	H	L	H

Table 7

(d) Y3 → DB0~1 (FREQUENCY UP/DOWN)
 This matrix increments receive frequencies for the optional RC-12 WIRELESS REMOTE CONTROLLER.

(e) Y3 → DB2 (SQUELCH STOP)
 This matrix stops the scan when the squelch opens.

(f) Y4 → DB6~7 [SCAN-DELAY]
 This matrix sets the scan delay time.

SETTING \ Y4 →	DB6	DB7
OFF	H	L
5 (seconds)	L	H
15 (seconds)	H	H
∞ (infinity)	L	L

Table 8

(g) Y6 → DB0~4 (CI-V ADDRESS)
 This matrix sets the address for the *CI-V. The desired address for IC-R7000 may be 1 to 31 and consists of 5 bits.

*CI-V: ICOM Communication Interface-V.

(h) Y6 → DB5 (CI-V TRANSCEIVE)
 This matrix sets the transceive operation for the CI-V.

(i) Y6 → DB6~7 (CI-V BAUD RATE)
 This matrix sets the baud rate.

BAUD RATE \ Y6 →	DB6	DB7
76800	L	L
9600	H	L
1200	L	H
300	H	H

Table 9

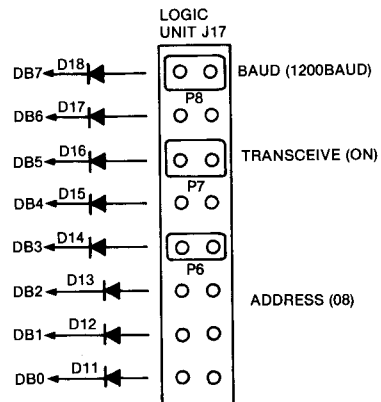


Fig. 10

4-4-3 CPU RESET CIRCUIT

The CPU reset circuit detects the power supply voltage to reset the CPU.

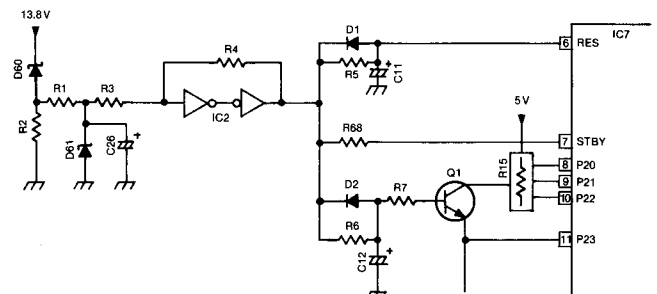


Fig. 11

4-4-4 RECORDING SPEECH CIRCUIT (LOGIC UNIT)

When the STOP signal from the MAIN UNIT is applied to IC3(A), the output of IC3(A) becomes "LOW" for approximately 1sec. from the rise of the STOP signal.

When the [RECORDER-SPEECH] SWITCH is ON, after 1sec. from the rise of the STOP signal (if the VSC signal is "HIGH"), Q5 and Q4 are switched on, and the SPKS signal is output.

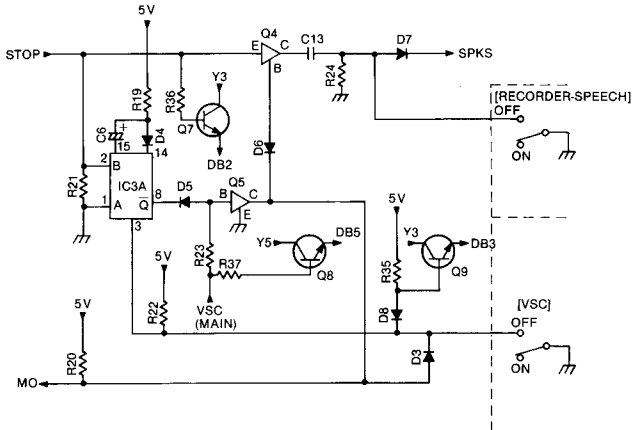


Fig. 12

4-4-5 SCAN SPEED CONTROL CIRCUIT (LOGIC UNIT)

This circuit accelerates the speed of the MEMORY CHANNEL SCAN, SELECTED MODE SCAN and SELECTED MEMORY SCAN.

By the PRIO signal, the output of IC16 remains "HIGH" even while receiving the another frequency.

When Q21 is switched ON by a PRIO or a PRO signal, C7 is input in parallel with C5, and the clock frequency will decrease.

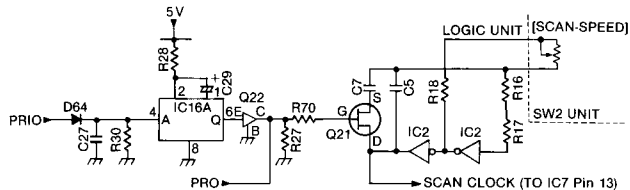


Fig. 13

4-4-6 B1 - B4, BH, BS AND VS SIGNALS

The LOGIC UNIT supplies following signals with the PLL UNIT and RF UNIT.

RECEIVE FREQUENCY F _{RX} [MHz]	SIGNALS						
	B1	B2	B3	B4	BH	BS	VS
25 ~ 89.9999 1025 ~ 1089.9999	H	L	L				
90 ~ 249.9999 1090 ~ 1249.9999	L	H	L	L	L	L	H
250 ~ 511.9999 1250 ~ 1511.9999	L	L	H		H		L
512 ~ 761.9999 1512 ~ 1761.9999	L	L	L	H	L	H	H
762 ~ 999.9999 1762 ~ 1999.9999	L	L	L		H	H	L

B1~B4, BH: BPF signals
BS: Band signal
VS: VCO selector signal

Table 10

4-5 DISPLAY CIRCUIT (DISPLAY UNIT)

This circuit consists of a fluorescent display tube DS1, display tube drivers IC1, IC2 and a DC-DC converter circuit.

4-5-1 FREQUENCY DISPLAY CIRCUIT

IC1 drives the display of frequencies while IC2 drives the display of memory channels.

Signals from the LOGIC UNIT and the MAIN UNIT control IC1 and IC2.

4-5-2 MODE DISPLAY CIRCUIT

IC2 allocates T3~T7 for five types of data, and IC2 send the segment data "1" to R19.

EXAMPLE:

The AND circuit of "l" and "T7" is configured with R18 and R19. Q5 and Q10 are switched ON by the timing of "T7" only when "l" is at "HIGH", and then the letter "SCAN" lights up.

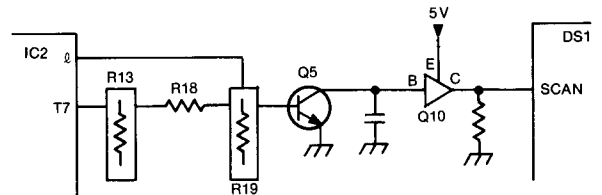


Fig. 14

4-5-3 PRIORITY DETECTOR CIRCUIT

Both the segment "c" and "d" are turned OFF simultaneously only when DS1 displays the letter "P". In this case, IC2 switches Q14 OFF and IC2 sends the T1 signal to the LOGIC UNIT as a PRIO signal.

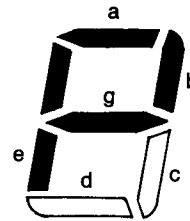


Fig. 15

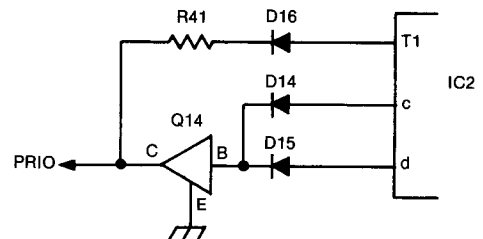


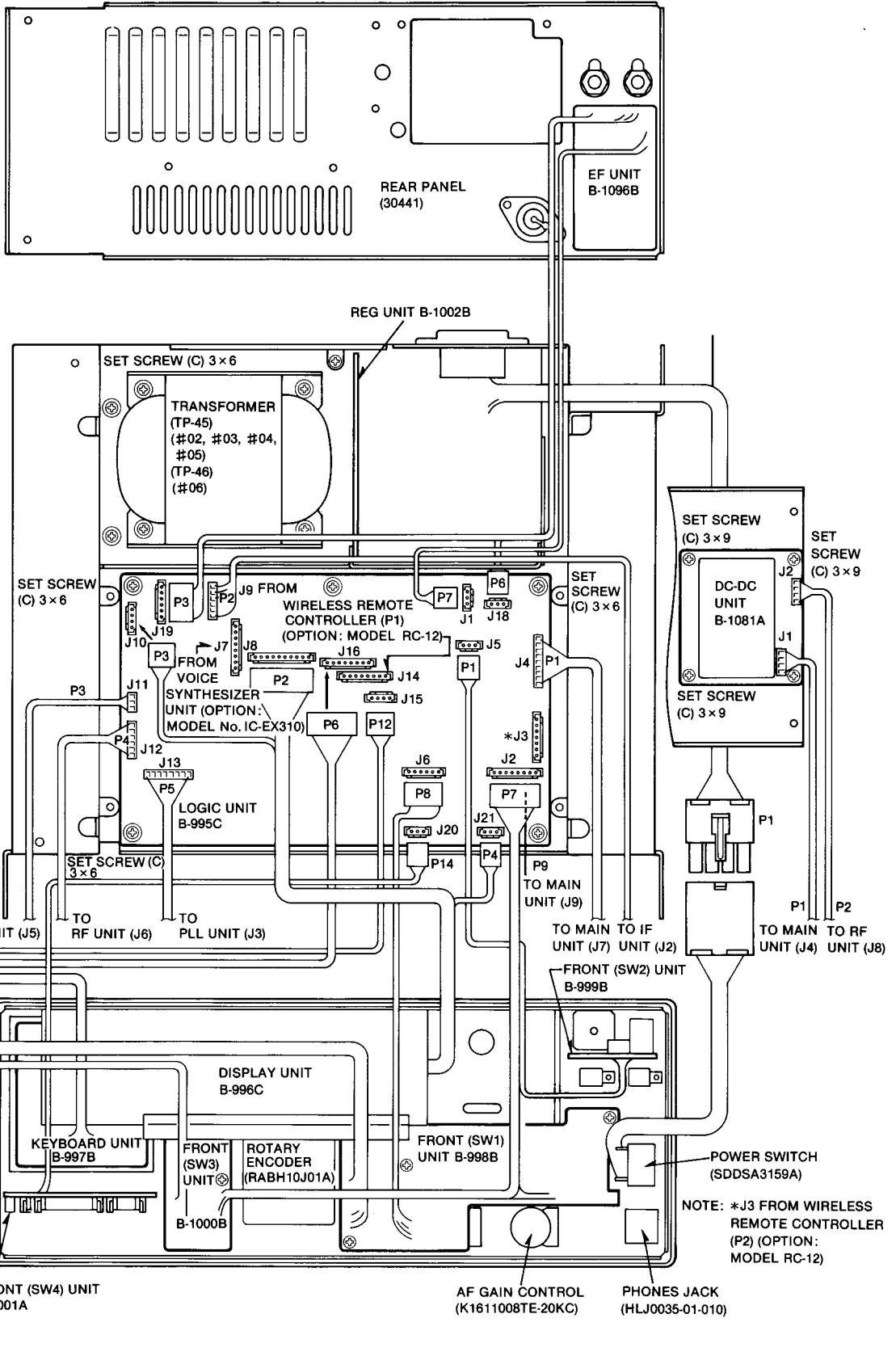
Fig. 16

4-6 KEYBOARD CIRCUIT (KEYBOARD UNIT)

This circuit consists of the keyboard circuit and the remote control circuit.

The signals from photo-diode D28 are amplified by IC1 and Q1. Q1 outputs the remote (REM) signal to the LOGIC UNIT.

5-5 BOTTOM SIDE CONNECTOR CONNECTIONS



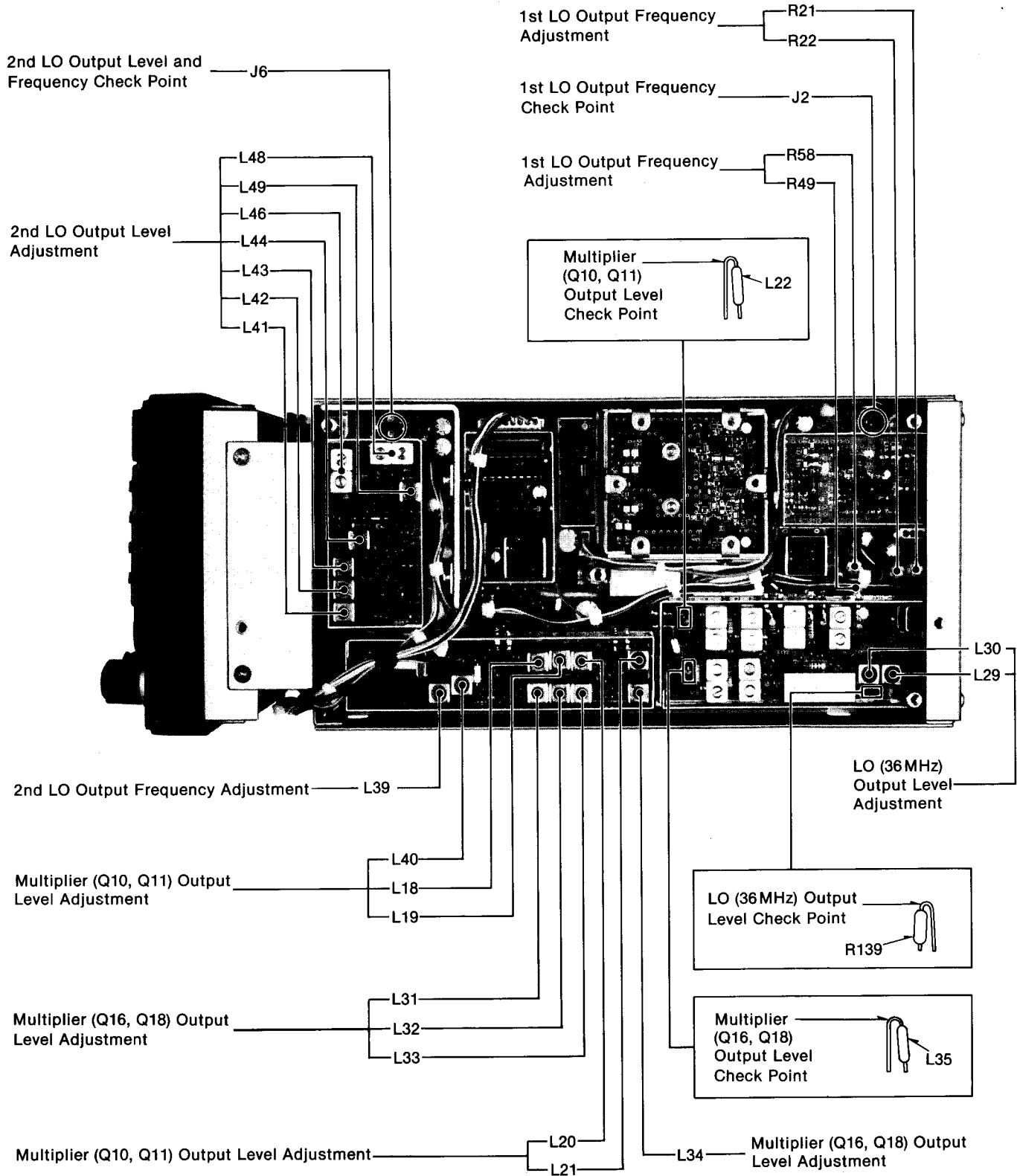
6-1 PREPARATION BEFORE SERVICING

1. Detach the power cable and turn OFF the POWER SWITCH before performing any work on the receiver.
2. DO NOT short circuit components while marking adjustments.
3. Use an insulated tuning tool for all adjustments.
4. DO NOT force any of the variable components. Tune them slowly and smoothly.
5. Follow the instructions exactly. If an indicated result is not obtained, repeat the instruction until the correct result is obtained.
6. Check the condition of connectors, solder joints and screws when adjustments are complete. Confirm that components do not touch each other.
7. Confirm defective operation of the receiver first when checking an out-of-service unit.
8. Use the correct tools and test equipment.
9. To remove the receiver covers, refer to SECTION 5-1.
10. Re-check for the suspected malfunction with the POWER SWITCH ON.
11. Check the defective circuit. Measure the DC voltages of the collector, base and emitter of each transistor.

6-2 PLL ADJUSTMENT

INSTRUMENTS REQUIRED			CONNECTIONS				
(1) FREQUENCY COUNTER • FREQUENCY RANGE : 0.1MHz~1.3GHz • ACCURACY : BETTER THAN ± 1 ppm • SENSITIVITY : 100mV OR BETTER (2) RF VOLTMETER • MEASURING RANGE : AT LEAST 500MHz (3) OSCILLOSCOPE • FREQUENCY RANGE : DC~50MHz • MEASURING RANGE : 0.01~10V (4) VOLTMETER • INPUT IMPEDANCE : 50k Ω /DC OR BETTER							
ADJUSTMENT	ADJUSTMENT CONDITIONS	MEASUREMENT		VALUE	ADJUSTMENT POINT		
		UNIT	LOCATION		UNIT	ADJUST	
LO (36MHz) OUTPUT LEVEL	1 • Mode: any	PLL	Connect an oscilloscope to R139.	Maximum (More than 100mVp-p)	PLL	L29, L30	
MULTIPLIER (Q10, Q11) OUTPUT LEVEL	1 • Display freq.: 249.9999MHz		Connect a voltmeter to L22.	Minimum (5~6V)		L18, L19, L20, L21, L40	
MULTIPLIER (Q16, Q18) OUTPUT LEVEL	1 • Display freq.: 250.0000MHz		Connect a voltmeter to L35.	Minimum (5~6V)		L31, L32, L33, L34	
2nd LO OUTPUT LEVEL	1 • Display freq.: 512.0000MHz		Connect a spectrum analyzer or RF voltmeter to J6.	Maximum (Approx. 0dBm/0.22V)		L41, L42, L43, L44, L49	
	2 • Display freq.: 511.9999MHz					L46, L48	
NOTE: If measured value is not within $-2\text{dBm} \sim +3\text{dBm}$ (0.18V~0.32V), repeat steps 1 and 2.							
2nd LO OUTPUT FREQUENCY	1 • Display freq.: 511.9999MHz	PLL	Connect a frequency counter to J6.	768.0000 MHz	PLL	L39	
	2 • Display freq.: 512.0000MHz			256.0000 MHz		Verify	
1st LO OUTPUT FREQUENCY	1 • Mode: FM • Display freq.: 145.0000MHz		Connect a frequency counter to J2.	923.7000 MHz		R58	
	2 • Display freq.: 149.9999MHz			923.6999 MHz		R49	
NOTE: Repeat steps 1 and 2.							
	3 • Mode: SSB • USB/LSB SELECTOR SWITCH: LSB • Display freq.: 145.0000MHz	PLL	Connect a frequency counter to J2.	923.6985 MHz	PLL	R22	
	4 • USB/LSB SELECTOR SWITCH: USB • Display freq.: 145.0000MHz			923.7015 MHz		R21	

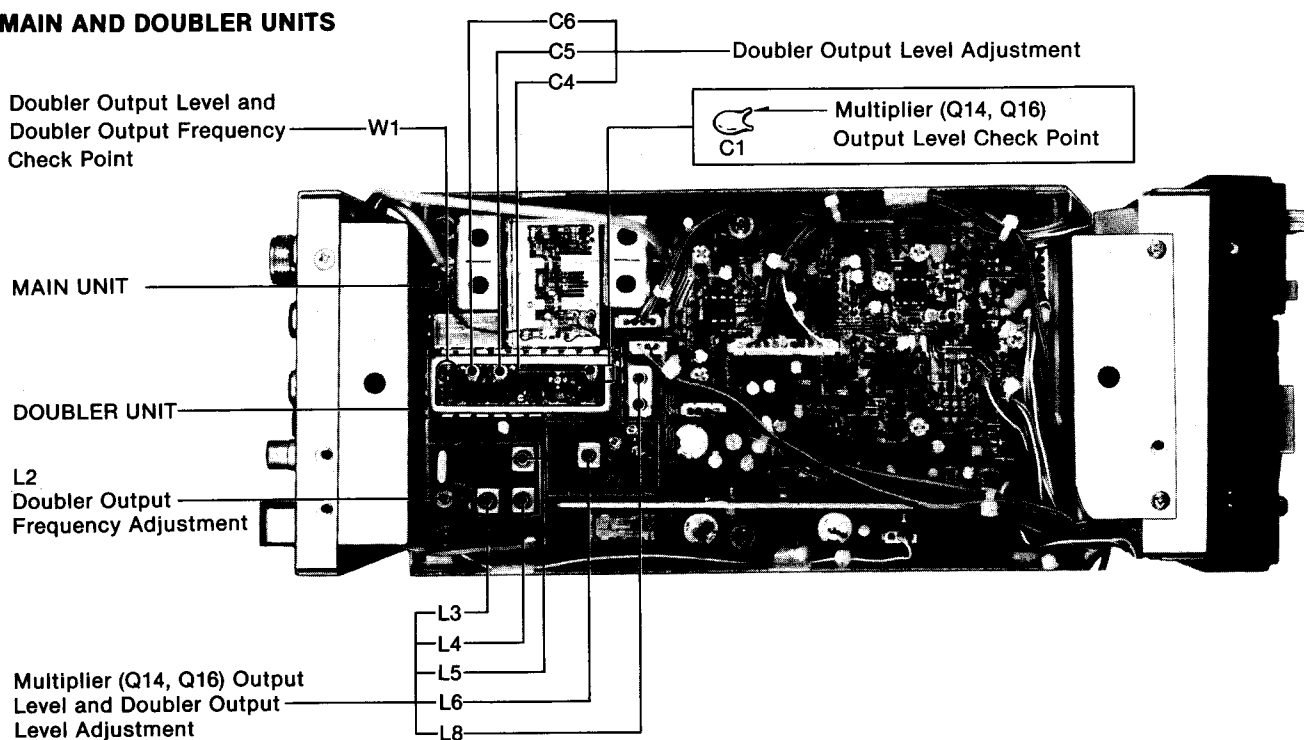
PLL UNIT



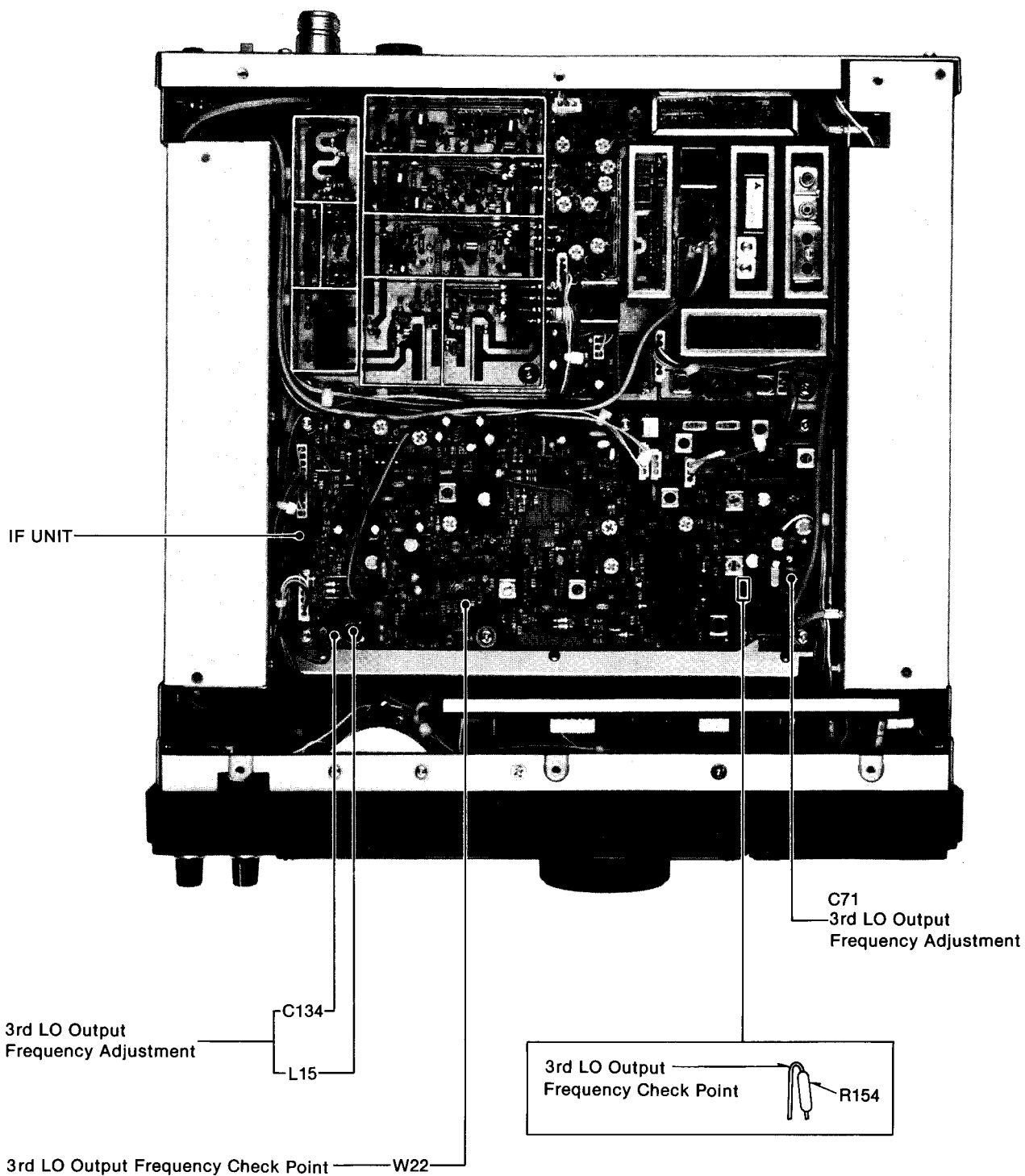
6-3 LOCAL OSCILLATOR ADJUSTMENT

INSTRUMENTS REQUIRED		CONNECTIONS					
(1) FREQUENCY COUNTER • FREQUENCY RANGE : 0.1 MHz~1.3 GHz • ACCURACY : BETTER THAN ± 1 ppm • SENSITIVITY : 100 mV OR BETTER (2) RF VOLT METER • FREQUENCY RANGE : AT LEAST 500 MHz • MEASURING RANGE : 0.01~10 V							
ADJUSTMENT	ADJUSTMENT CONDITIONS	MEASUREMENT		VALUE	ADJUSTMENT POINT		
		UNIT	LOCATION		UNIT	ADJUST	
3rd LO OUTPUT FREQUENCY (IF UNIT)	1 • Mode: SSB	IF	Connect a frequency counter to R154.	10.2450 MHz	IF	C71	
	2 • Mode: SSB • USB/LSB SELECTOR SWITCH: USB		Connect a frequency counter to W22.	456.5 kHz		L15	
	3 • Mode: SSB • USB/LSB SELECTOR SWITCH: LSB			453.5 kHz		C134	
MULTIPLIER (Q14, Q16) OUTPUT LEVEL (MAIN UNIT)	1 • 1 GHz BAND SWITCH: ON	DOUBLER	Connect a spectrum analyzer or RF voltmeter to C1.	Maximum	MAIN	L3, L4, L5, L6, L8	
DOUBLER OUTPUT LEVEL (DOUBLER UNIT)	1 • 1 GHz BAND SWITCH: ON		Connect a spectrum analyzer or RF voltmeter to output terminal (W1) of DOUBLER UNIT.	Maximum		DOUBLER	C4, C5, C6
			Connect a frequency counter to output terminal (W1) of DOUBLER UNIT.	1 GHz		MAIN	L2

MAIN AND DOUBLER UNITS



IF UNIT

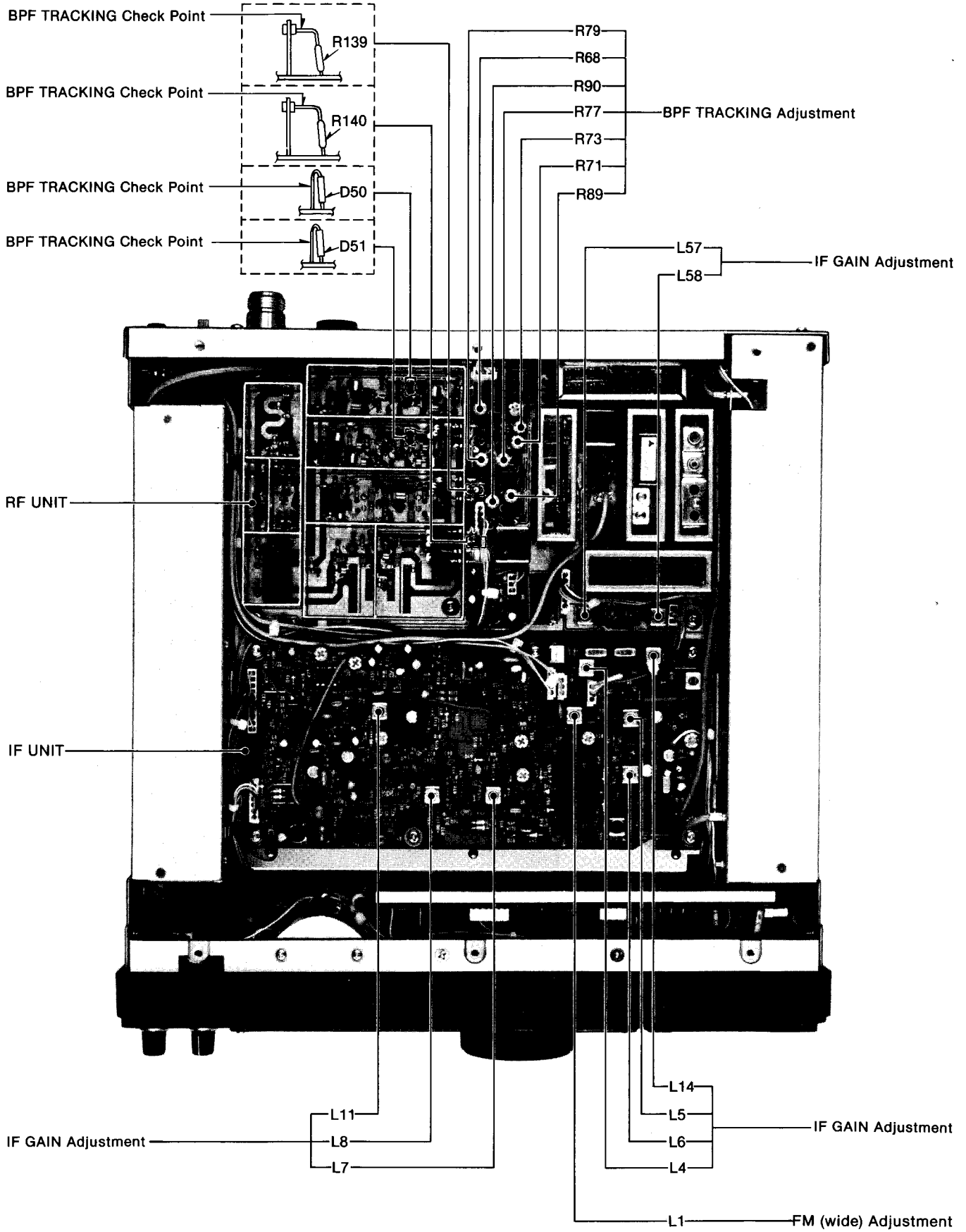


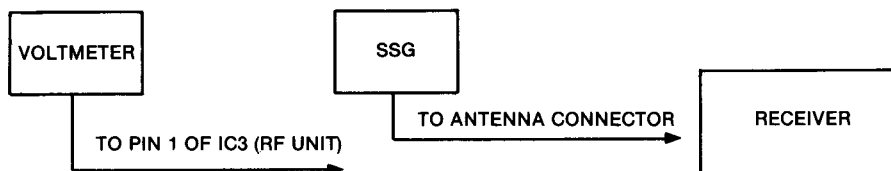
6-4 RECEIVER ADJUSTMENT

INSTRUMENTS REQUIRED	CONNECTIONS
(1) VOLTMETER • INPUT IMPEDANCE : 50k Ω /V DC OR BETTER (2) SIGNAL GENERATOR (SSG) • FREQUENCY RANGE : 0.1MHz~1GHz • OUTPUT VOLTAGE : 0.1 μ V~32mV (-127dBm~-17dBm) (3) AC MILLIVOLTMETER • MEASURING RANGE : 10mV~10V (4) EXTERNAL SPEAKER • IMPEDANCE : 8 Ω (5) OSCILLOSCOPE • FREQUENCY RANGE : DC~20MHz • MEASURING RANGE : 0.01~10V	

ADJUSTMENT	ADJUSTMENT CONDITIONS	MEASUREMENT		VALUE	ADJUSTMENT POINT	
		UNIT	LOCATION		UNIT	ADJUST
BPF TRACKING	1 • Display freq.: 850.0000MHz	RF	Connect a voltmeter to R140.	12V	RF	R90
	2 • Display freq.: 999.0000MHz			Approx. 17V		Verify
	3 • Display freq.: 762.0000MHz			Approx. 9.5V		
	4 • Display freq.: 650.0000MHz			6.5V		R89
	5 • Display freq.: 761.0000MHz			Approx. 9.5V		Verify
	6 • Display freq.: 513.0000MHz			Approx. 3.5V		
	7 • Display freq.: 350.0000MHz • R77 (RF UNIT): Center	RF	Connect a voltmeter to R139.	7.5V	RF	R79
	8 • Display freq.: 511.0000MHz			Approx. 17.5V		Verify
	9 • Display freq.: 250.0000MHz			Approx. 2.2V		
	10 • Display freq.: 150.0000MHz	RF	Connect a voltmeter to D51.	8V	RF	R71
	11 • Display freq.: 90.0000MHz			1V		R73
	12 • Display freq.: 249.0000MHz			Approx. 17.5V		Verify
NOTE: Repeat steps 10, 11 and 12 several times.						
13 • Display freq.: 55.0000MHz • R66 (RF UNIT): Center	RF	Connect a voltmeter to D50.	6V	RF	R68	
14 • Display freq.: 89.0000MHz			Approx. 9.5V		Verify	
15 • Display freq.: 25.0000MHz			Approx. 3V			
IF GAIN	1 • Display freq.: 762.0000MHz • Mode: FM (narrow)	FRONT PANEL	METER	Maximum	RF	L57, L58
	2 • Apply RF signal to ANTENNA CONNECTOR. Level: 5.0 μ V (-93dBm) Dev.: \pm 3.5kHz Mod.: 1kHz					REAR PANEL
	3				L11	
NOTE: To prevent noise blanker circuit malfunction, set the core positions of L5 and L6 to equal each other.						
FM (wide)	1 • Display freq.: 762.0000MHz • Mode: FM (wide) • Apply RF signal to ANTENNA CONNECTOR. Level: 5.0 μ V (-93dBm) Dev.: \pm 3.5kHz Mod.: 1kHz	FRONT PANEL	METER	Maximum	IF	L1

RF AND IF UNITS



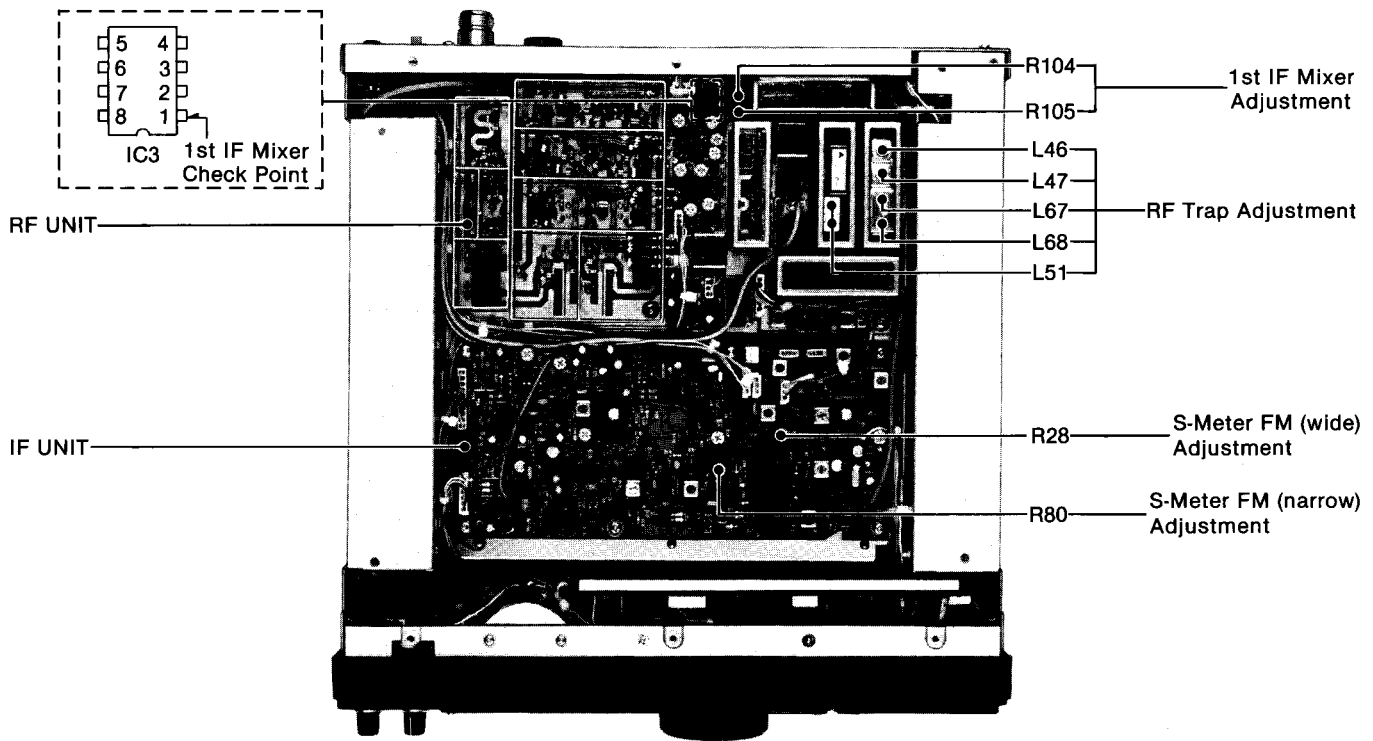
RECEIVER ADJUSTMENT (Continued)
CONNECTIONS


ADJUSTMENT	ADJUSTMENT CONDITIONS	MEASUREMENT		VALUE	ADJUSTMENT POINT	
		UNIT	LOCATION		UNIT	ADJUST
1st IF MIXER	1 • Display freq.: 250.0000MHz	RF	Connect a voltmeter to pin 1 of IC3.	9V	RF	R105
	2 • Display freq.: 249.0000MHz			9V		R104
	3 • Display freq.: 25.0000MHz			4~5V		Verify
	4 • Display freq.: 511.0000MHz			More than 14V		
RF TRAP	1 • Display freq.: 800.0000MHz • Mode: FM (narrow) • Apply RF signal to ANTENNA CONNECTOR. Level: 32µV (-77 dBm) Dev.: ±3.5kHz Mod.: 1kHz Freq.: 800.0000MHz	FRONT PANEL	METER	Maximum	RF	L46, L47
	2 • Display freq.: 800.0000MHz • Mode: FM (narrow) • Apply RF signal to ANTENNA CONNECTOR. Level: 100mV (-7 dBm) Dev.: ±3.5kHz Mod.: 1kHz Freq.: 800.0000MHz			S9+60dB		Verify
	• Display freq.: 778.6000MHz • RF signal freq.: 800.0000MHz			Less than S5		L67, L68
	3 • Display freq.: 400.0000MHz • Mode: FM (narrow) • Apply RF signal to ANTENNA CONNECTOR. Level: 100mV (-7 dBm) Dev.: ±3.5kHz Mod.: 1kHz Freq.: 400.0000MHz			S9+60dB		Verify
	• Display freq.: 378.6000MHz • RF signal freq.: 400.0000MHz			Less than S5		L51
SQUELCH	1 • Display freq.: 762.0000MHz • Mode: FM (narrow) • SQUELCH CONTROL:			Squelch closes.	MAIN	R37
S-METER • FM (narrow)	1 • Display freq.: 762.0000MHz • Mode: FM (narrow) • R80 (IF UNIT): Center • Apply RF signal to ANTENNA CONNECTOR. Level: 100mV (-7 dBm) Dev.: ±3.5kHz	FRONT PANEL	METER	S9+60dB	MAIN	R54
	2 • RF signal level: 0.1mV (-67 dBm)			S9		R51
	3 • RF signal level: 1µV (-107 dBm)			S1~S3		Verify

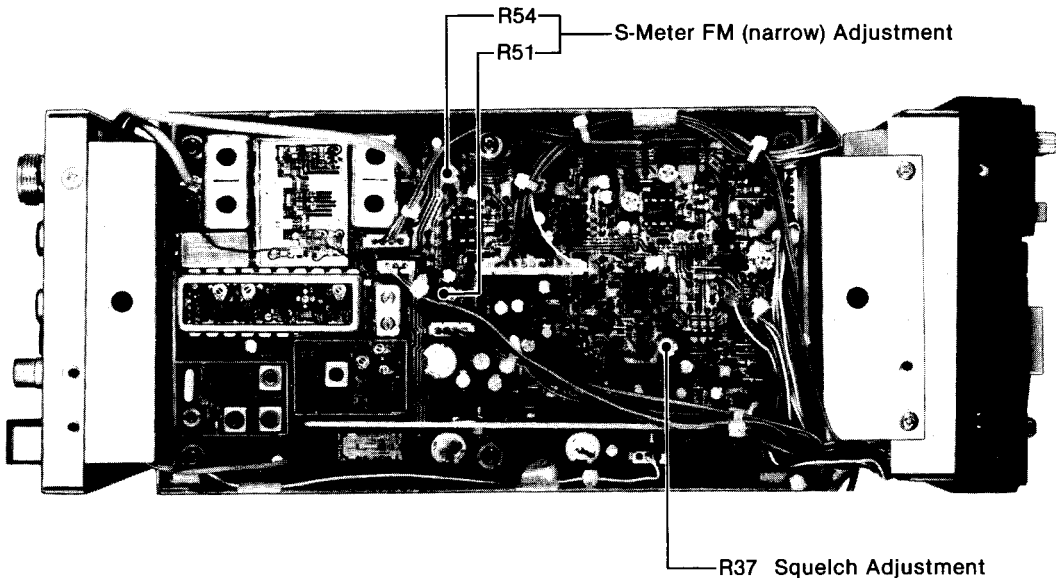
RECEIVER ADJUSTMENT (Continued)

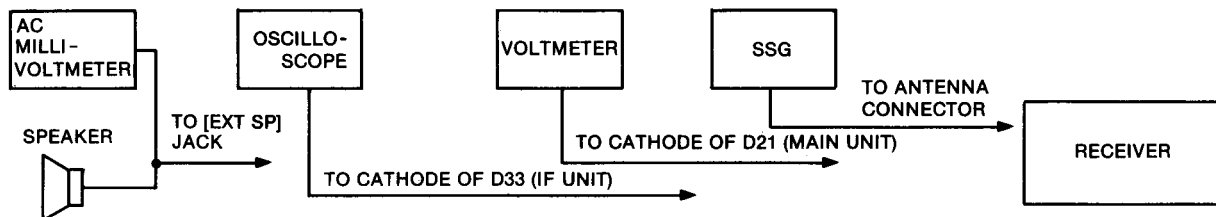
ADJUSTMENT	ADJUSTMENT CONDITIONS	MEASUREMENT		VALUE	ADJUSTMENT POINT		
		UNIT	LOCATION		UNIT	ADJUST	
S-METER • FM (narrow)	4	• Apply no signal to ANTENNA CONNECTOR.	FRONT PANEL	METER	Approx. S1		Verify
	<p>NOTE: R80 controls total gain adjustment, so it is not be touched as noise will increase. However, it may be necessary to adjust R80 under the following condition: If the METER indicates more than S1 in step 4, adjust R51 to S1 and then follow step 1 again. After completing the above adjustment, adjust R80 to S9 with 0.1mV input.</p>						
S-METER • FM (wide)	1	• Display freq.: 762.0000MHz • Mode: FM (wide) • Apply RF signal to ANTENNA CONNECTOR. Level: 100mV (-7dBm) Dev.: ±3.5kHz	FRONT PANEL	METER	S9+60dB	IF	R28

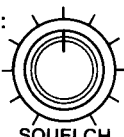
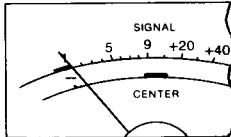
RF AND IF UNITS



MAIN UNIT



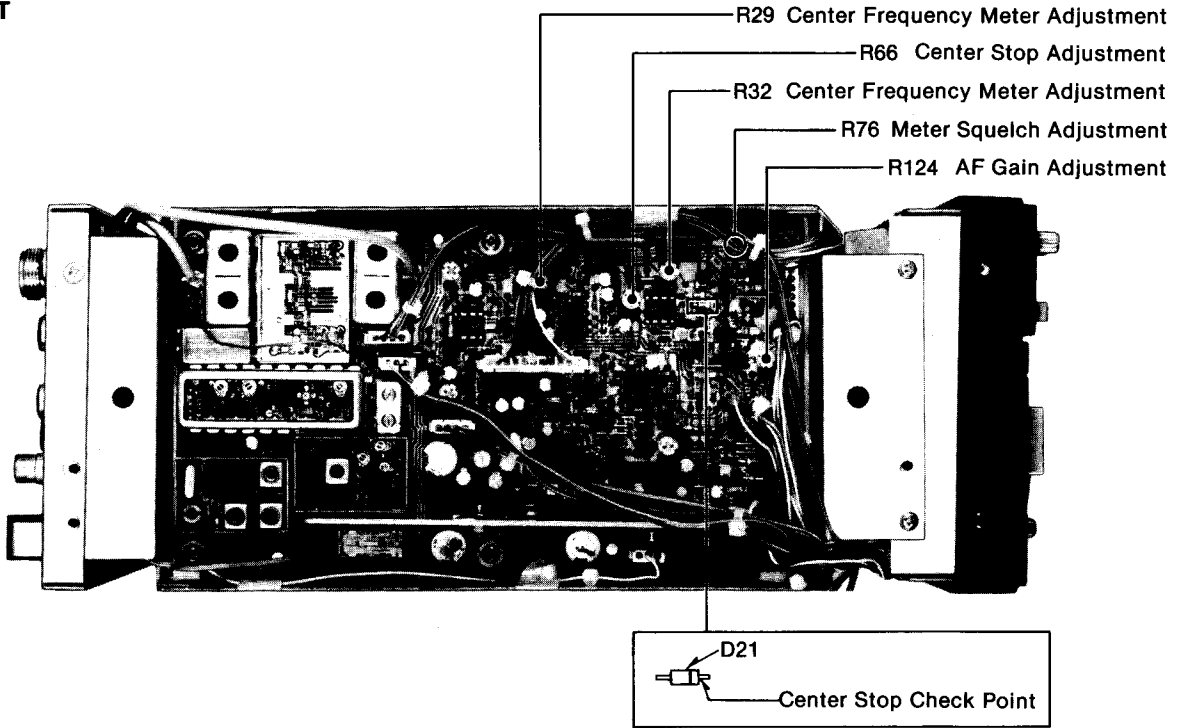
RECEIVER ADJUSTMENT (Continued)
CONNECTIONS


ADJUSTMENT	ADJUSTMENT CONDITIONS	MEASUREMENT		VALUE	ADJUSTMENT POINT		
		UNIT	LOCATION		UNIT	ADJUST	
METER SQUELCH	1 <ul style="list-style-type: none"> • Display freq.: any (except 762MHz) • Mode: FM (narrow) • SQUELCH CONTROL: 	FRONT PANEL	METER		MAIN	R76	
	2 <ul style="list-style-type: none"> • SQUELCH CONTROL: Max. clockwise 					More than S9+60dB	Verify
NOTE: If the METER does not indicate more than S9+60dB at step 2, repeat "S-METER" adjustment.							
CENTER METER	1 <ul style="list-style-type: none"> • Display freq.: 26.0000 MHz • Mode: FM (wide) • R29, R32 (MAIN UNIT): Center • Apply RF signal to ANTENNA CONNECTOR. Level: 32μV (-77 dBm) Mod.: OFF Freq.: 26.0000 MHz 	FRONT PANEL	METER	Same value as no signal receiving.	IF	R127	
	2 <ul style="list-style-type: none"> • Display freq.: 26.1000 MHz • RF signal freq.: 26.0000 MHz 			S9+50dB		MAIN	R32
	3 <ul style="list-style-type: none"> • Display freq.: 26.0000 MHz • RF signal freq.: 26.0000 MHz 			Center			R29
	NOTE: Repeat steps 2 and 3 several times.						
	4 <ul style="list-style-type: none"> • Display freq.: 26.0000 MHz • Mode: FM (narrow) 	FRONT PANEL	METER	Center	IF	R92	
CENTER STOP	1 <ul style="list-style-type: none"> • Display freq.: 26.0000 MHz ± 3.5~5 kHz • Mode: FM (narrow) • Apply RF signal to ANTENNA CONNECTOR. Level: 32μV (-77 dBm) Freq.: 26.0000 MHz 	MAIN	Connect a voltmeter to cathode of D21.	Frequency differences in the (+) and (-) directions should be the same, i.e., 26.0035 MHz and 25.9965 MHz when the voltage of D21 is HIGH (8V).	MAIN	R66	
NOISE BLANKER	1 <ul style="list-style-type: none"> • Display freq.: 26.0000 MHz • Mode: SSB • NOISE BLANKER SWITCH: ON • Apply noise signal to ANTENNA CONNECTOR. 	IF	Connect an oscilloscope to cathode of D33.	Noise wave form maximum	IF	L10	
AF GAIN	1 <ul style="list-style-type: none"> • Mode: FM (narrow) • AF GAIN CONTROL: Max. 	REAR PANEL	Connect an AC millivoltmeter to [EXT SP] JACK with an 8Ω speaker.	4.8V	MAIN	R124	

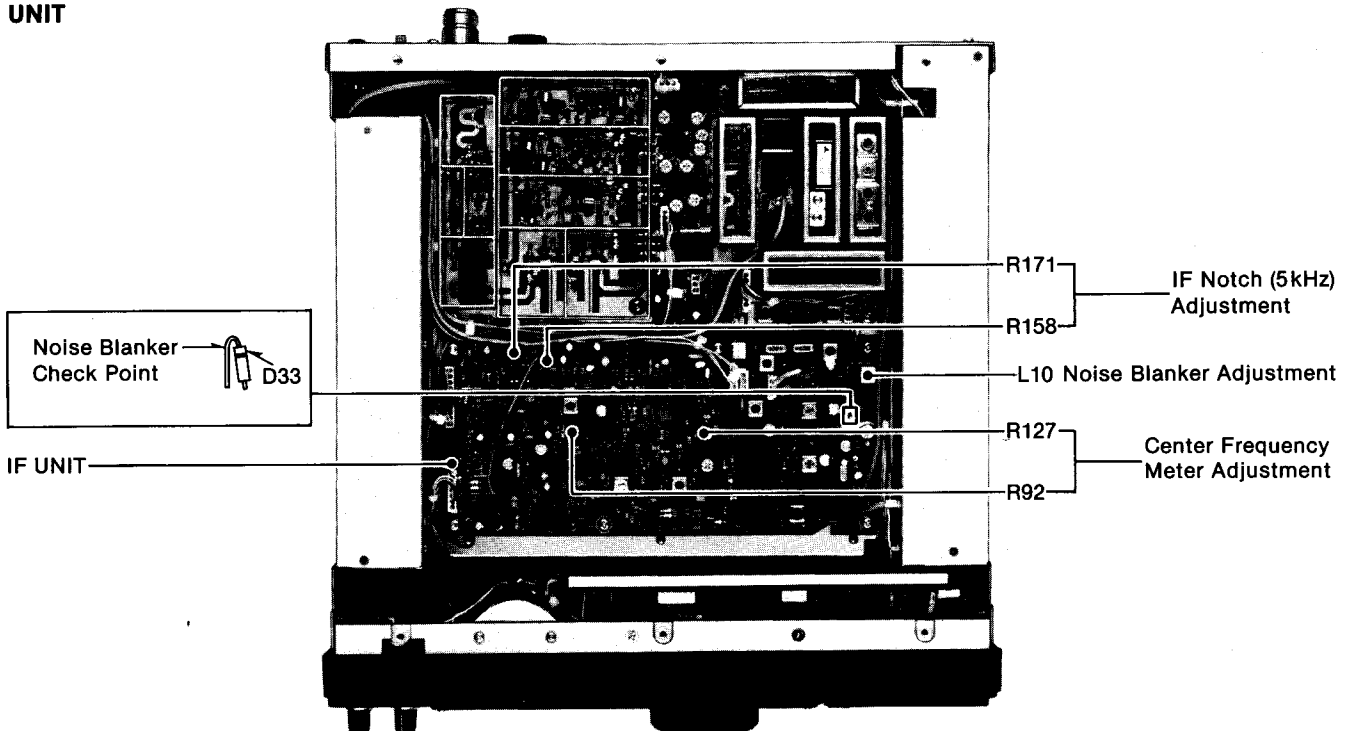
RECEIVER ADJUSTMENT (Continued)

ADJUSTMENT	ADJUSTMENT CONDITIONS	MEASUREMENT		VALUE	ADJUSTMENT POINT	
		UNIT	LOCATION		UNIT	ADJUST
IF NOTCH (5kHz)	1 <ul style="list-style-type: none"> • Display freq.: 762.0000MHz • Mode: FM (wide) • Apply RF signal to ANTENNA CONNECTOR. Level: 0.1mV (-67dBm) Dev.: 50kHz Mod.: 5kHz 	REAR PANEL	Connect a voltmeter to [EXT SP] JACK with an 8Ω speaker.	Minimum	IF	R171, R158

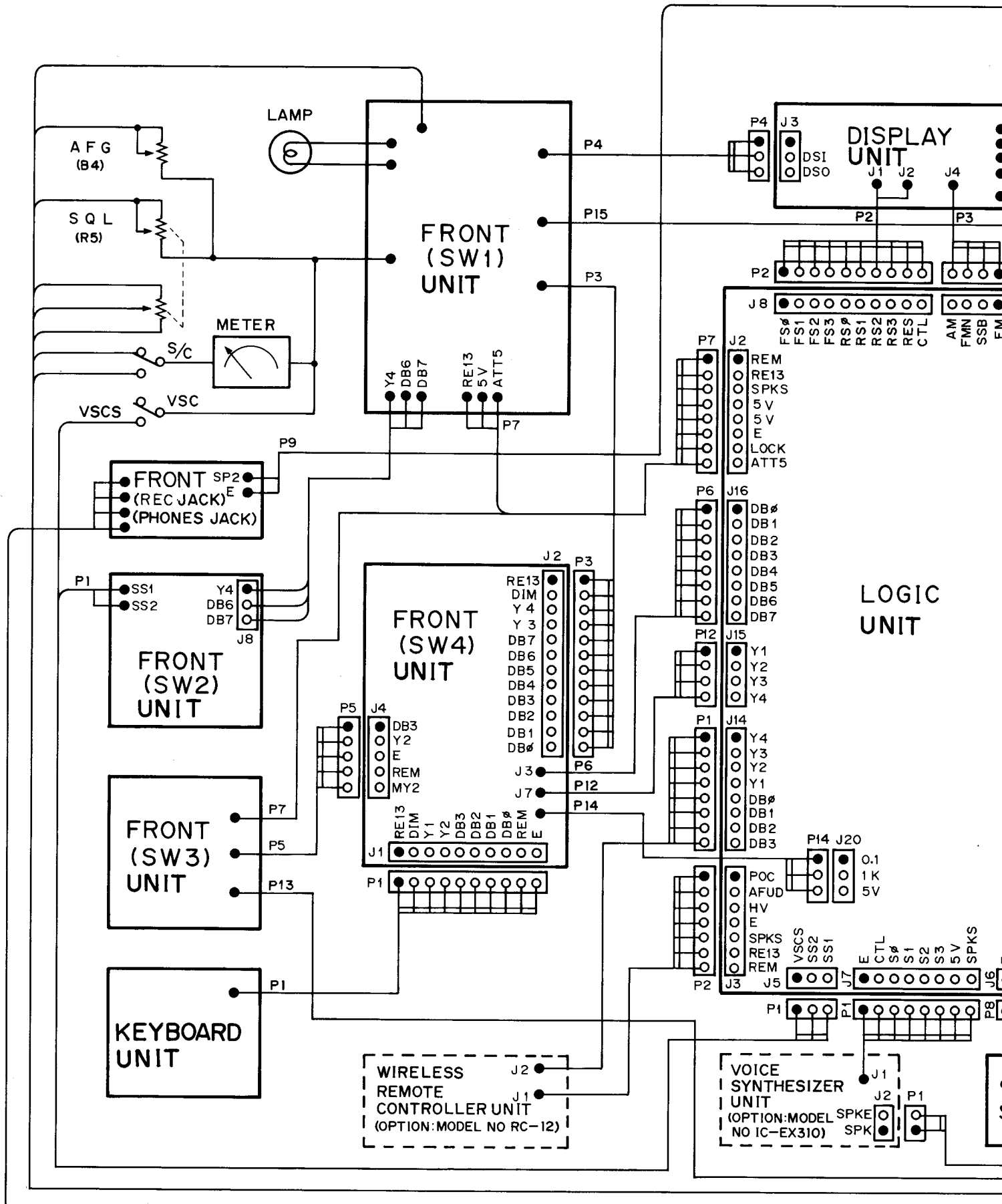
MAIN UNIT

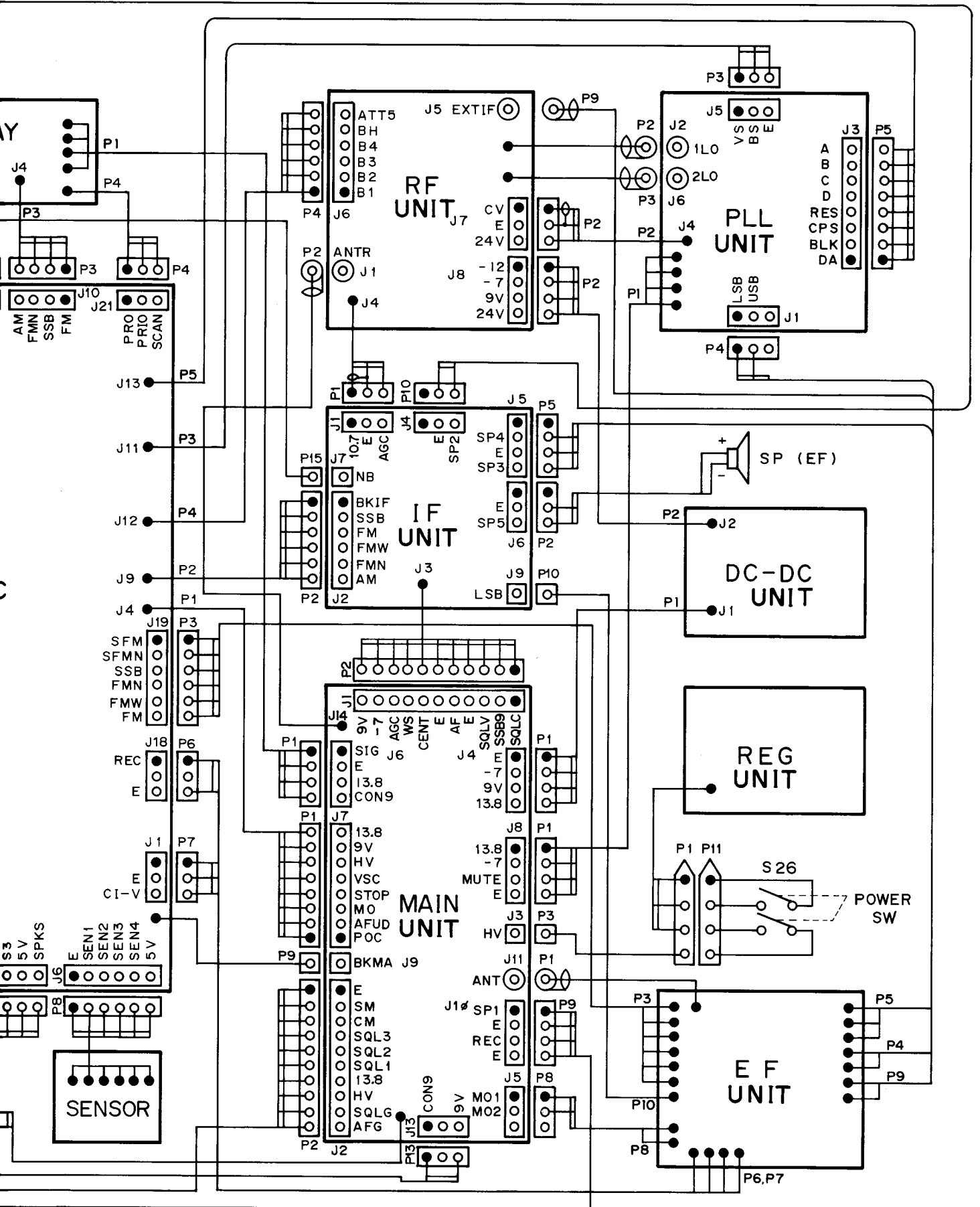


IF UNIT



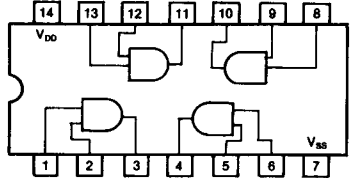
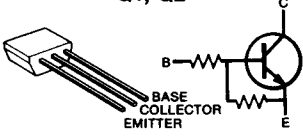
7-1 INTERCONNECTION



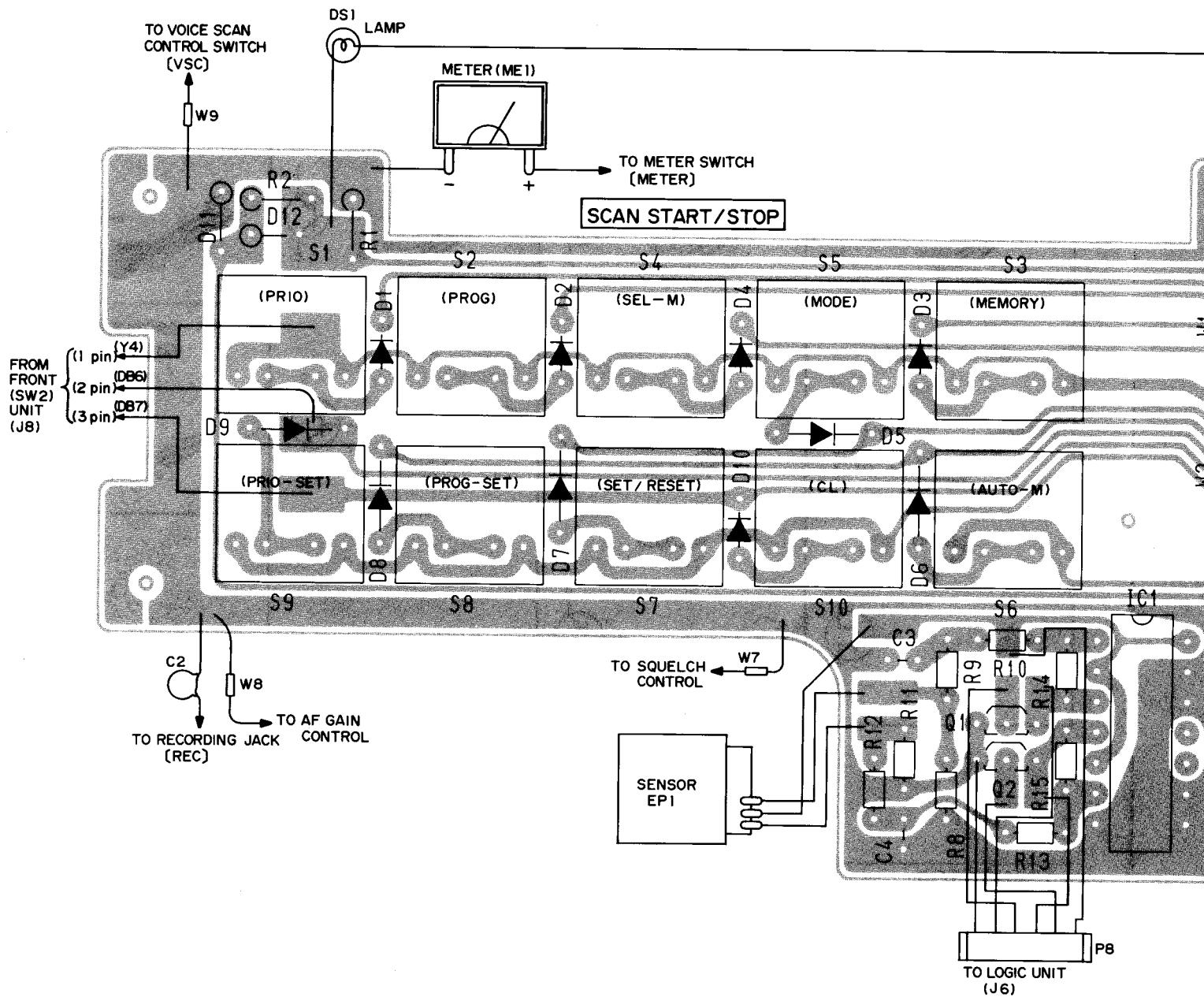


7-2 FRONT UNITS

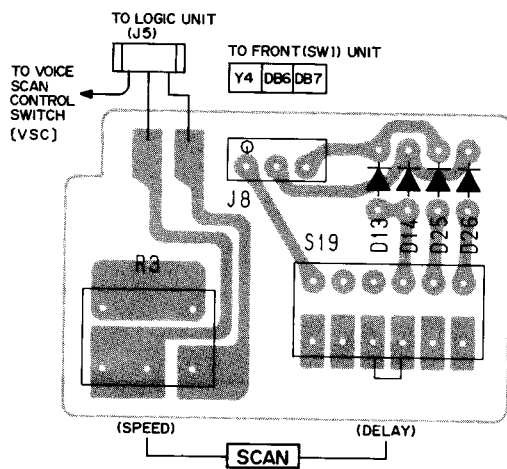
• FRONT (SW4) UNIT

IC	
IC1	<p>μPD4081BC (QUAD 2-INPUT AND GATE)</p> 
TRANSISTOR	
<p>2SC3399 Q1, Q2</p> 	

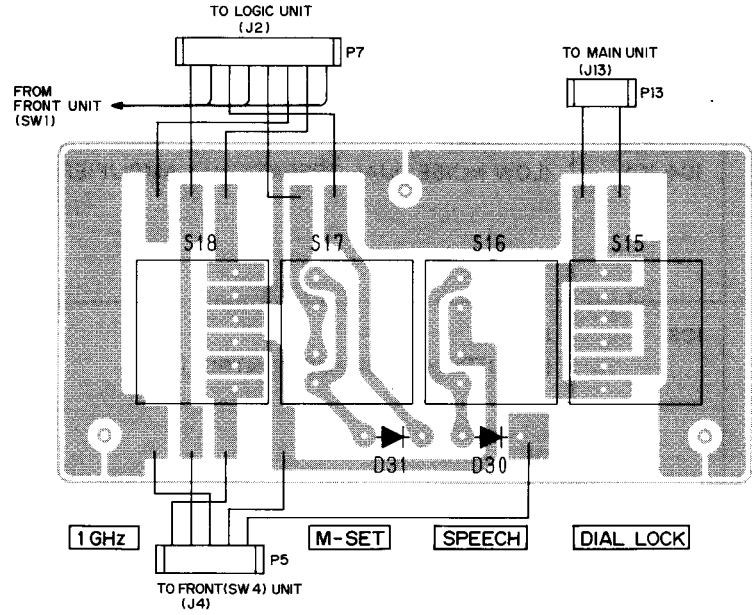
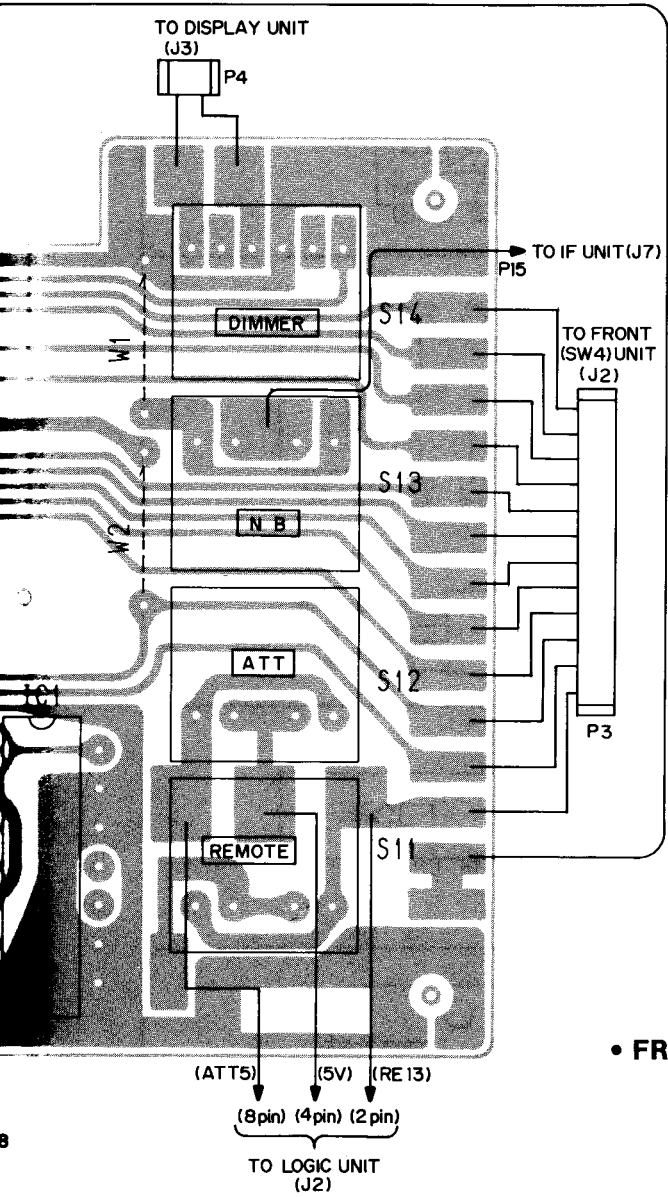
• FRONT (SW1) UNIT



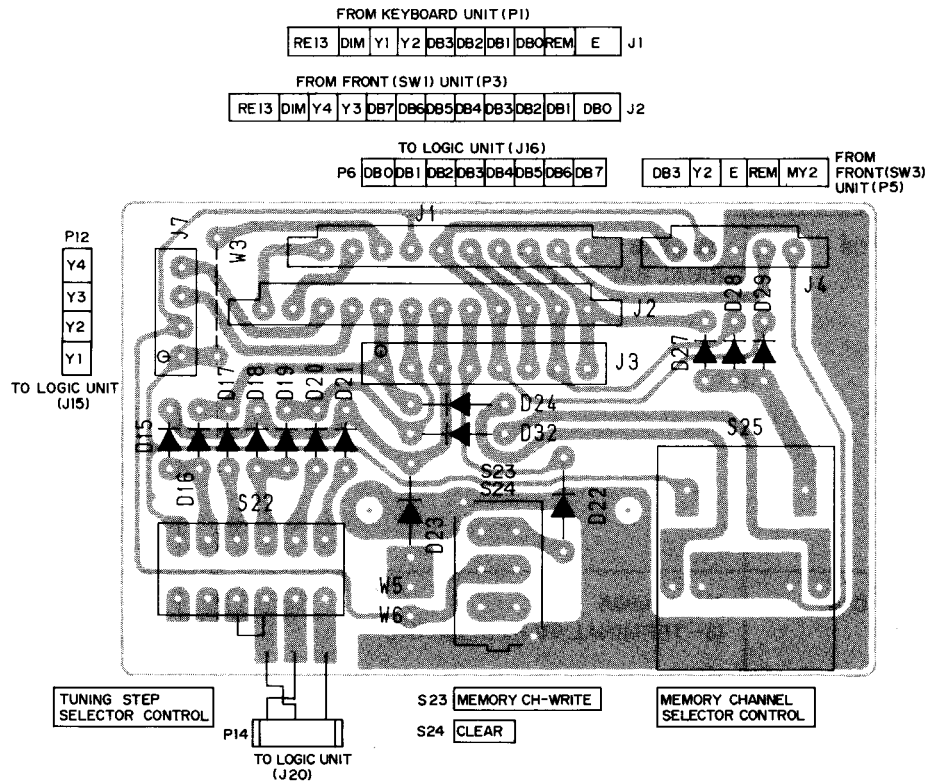
• FRONT (SW2) UNIT



• FRONT (SW3) UNIT

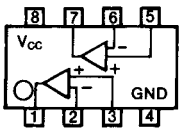
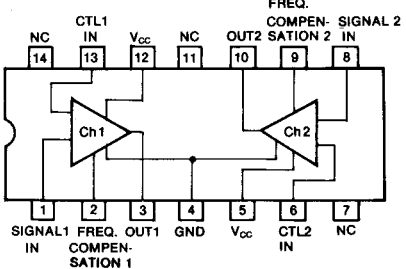
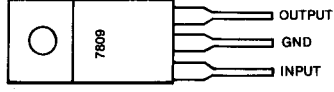
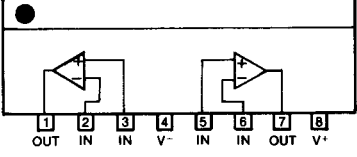
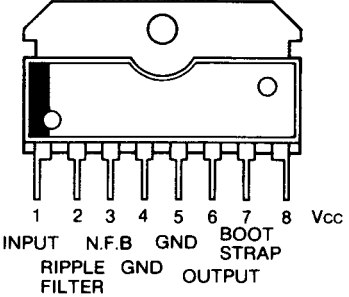
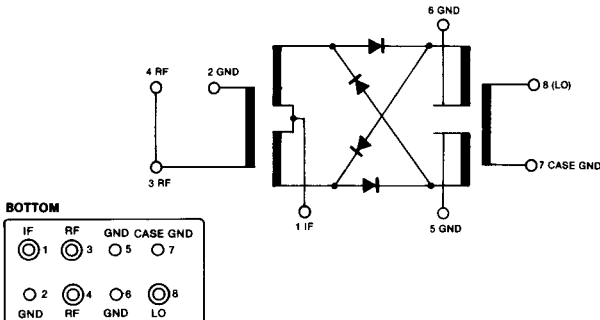
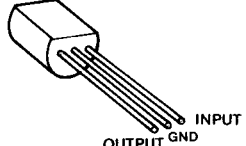


• FRONT (SW4) UNIT

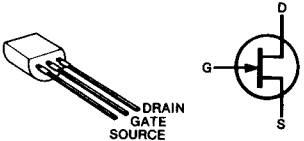
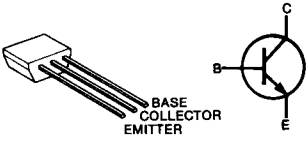
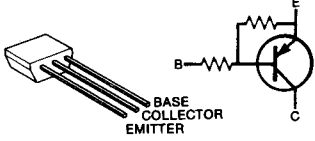
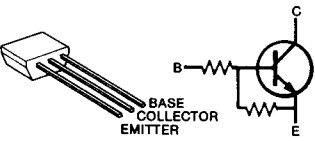
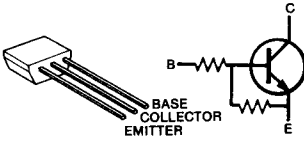
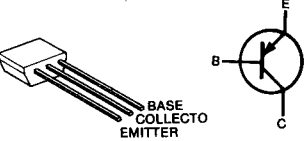
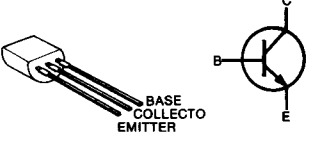
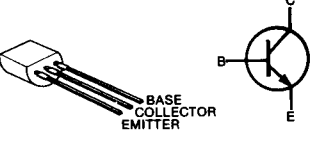
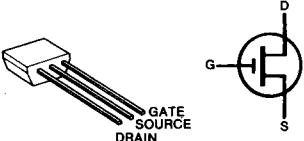
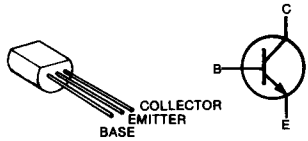


7-3 MAIN UNIT

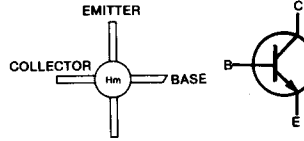
• MAIN UNIT

IC		
IC1, IC2, IC4, IC5	NJM4558D (LOW NOISE DUAL OPERATIONAL AMPLIFIER)	
IC3	LA2600 (ELECTRONIC VOLUME CONTROL)	
IC6	NJM7809A (3-TERMINAL 9V REGULATOR)	
IC7	M5218L (LOW NOISE DUAL OPERATIONAL AMPLIFIER)	
IC8	μPC1241H (5.8W AUDIO POWER AMPLIFIER)	
IC9	DM-88XB (DUAL BALANCED MODULATE)	
IC10	NJM78L09A (3-TERMINAL 9V REGULATOR)	

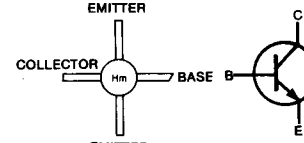
TRANSISTORS

<p>2SK30AT Q1</p> 	<p>2SC2785 Q2, Q9, Q10, Q18</p> 	<p>2SA1348 Q3, Q4</p> 	<p>2SC3402 Q5</p> 
<p>2SC3399 Q6, Q7, Q17, Q19</p> 	<p>2SA1048 Q11</p> 	<p>2SC945 Q13</p> 	<p>2SC383TM Q14</p> 
<p>2SK241 Q15</p> 	<p>2SC2026 Q16</p> 		

• HPF UNIT

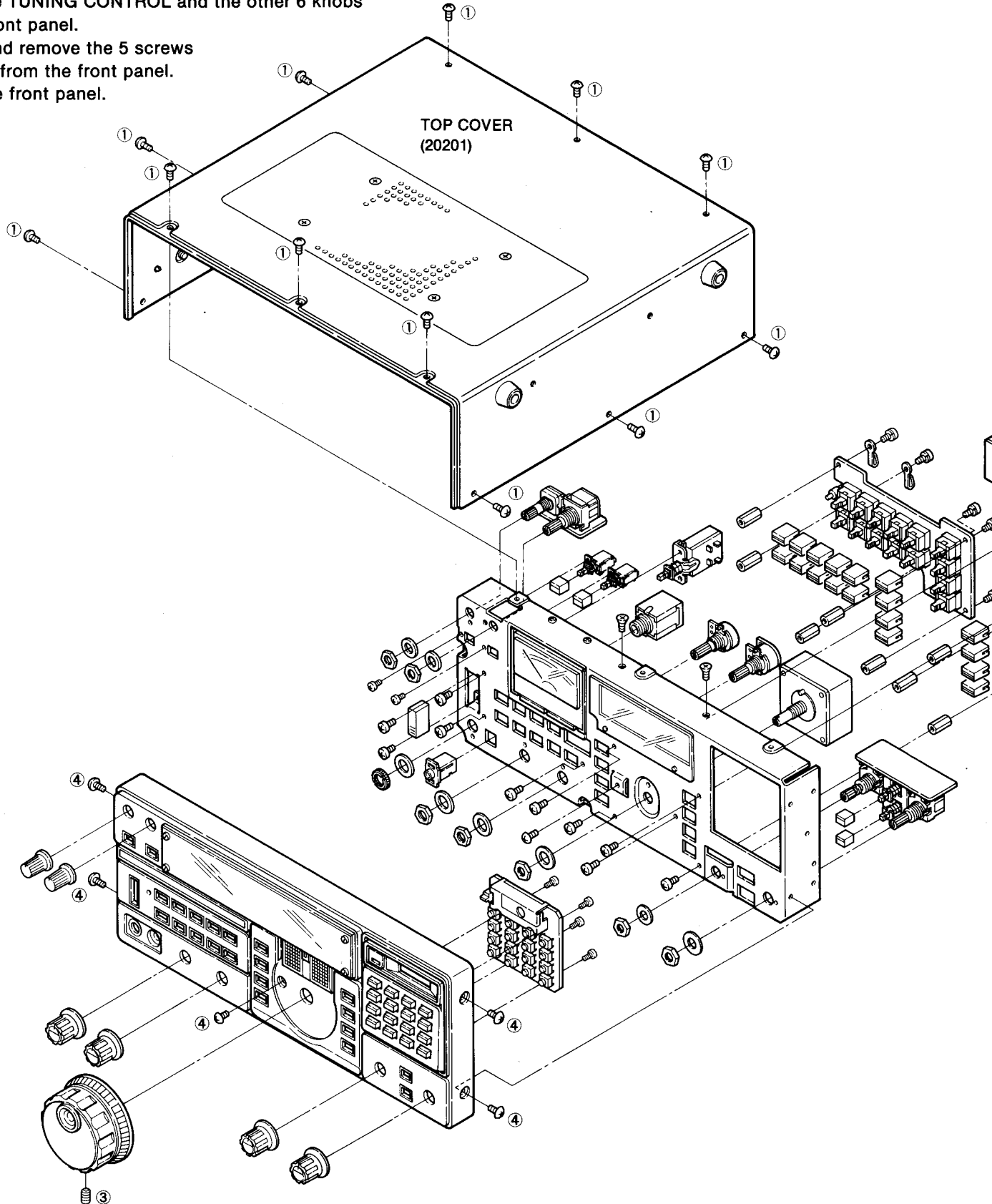
TRANSISTOR	
<p>2SC2367 Q1</p> 	

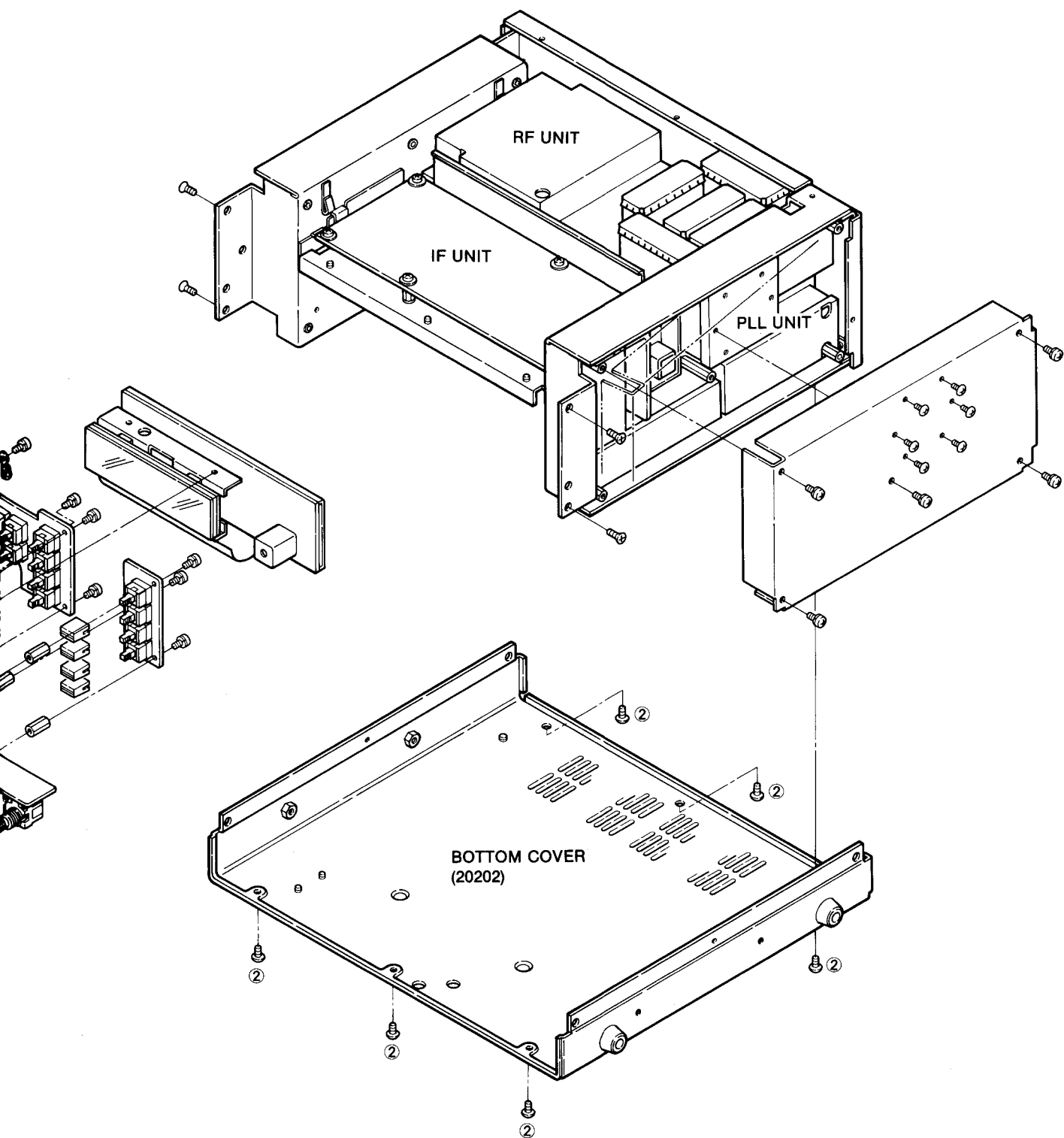
• DOUBLER UNIT

TRANSISTOR	
<p>2SC2367 Q1</p> 	

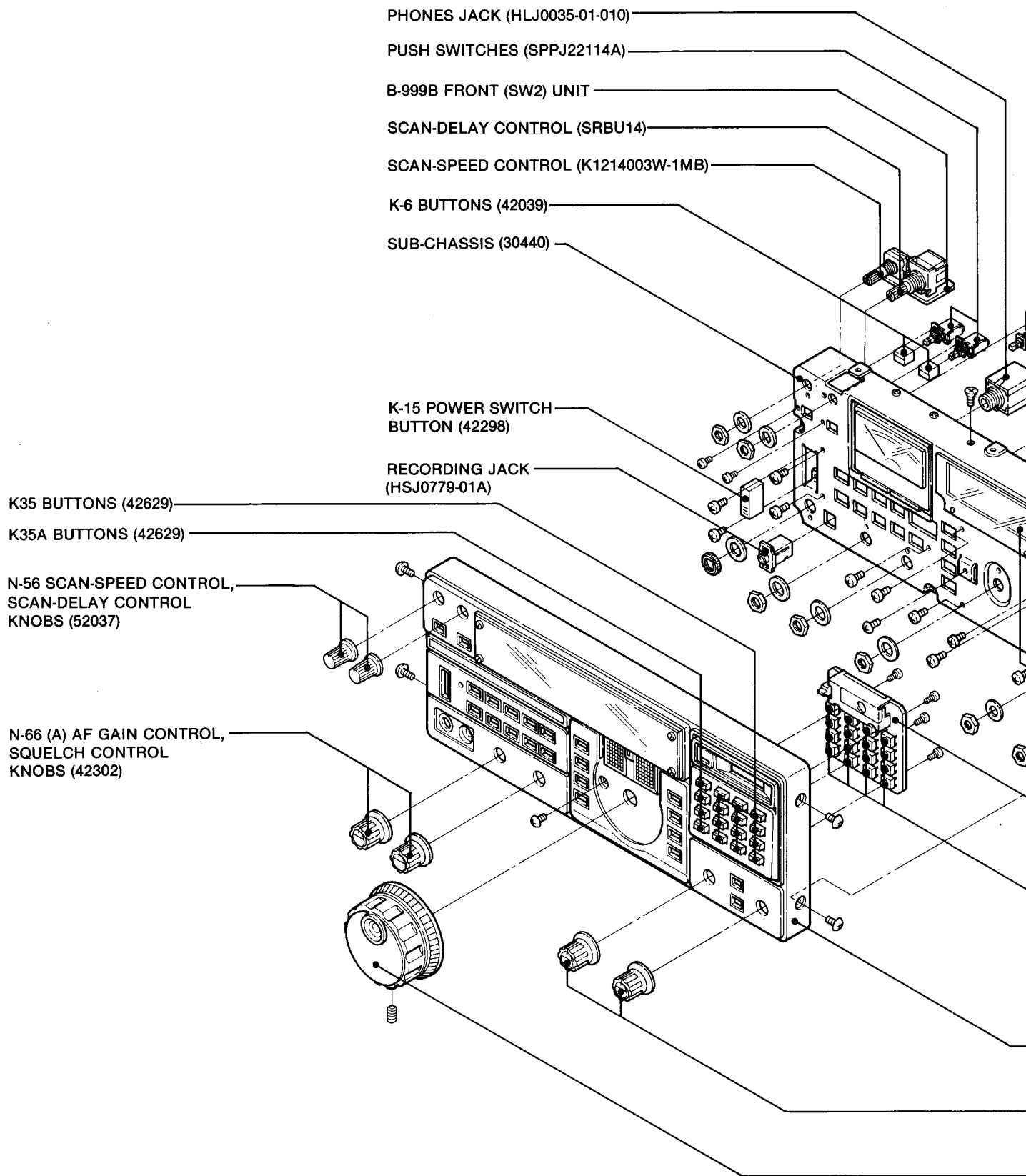
5-1 FRAME DISASSEMBLY

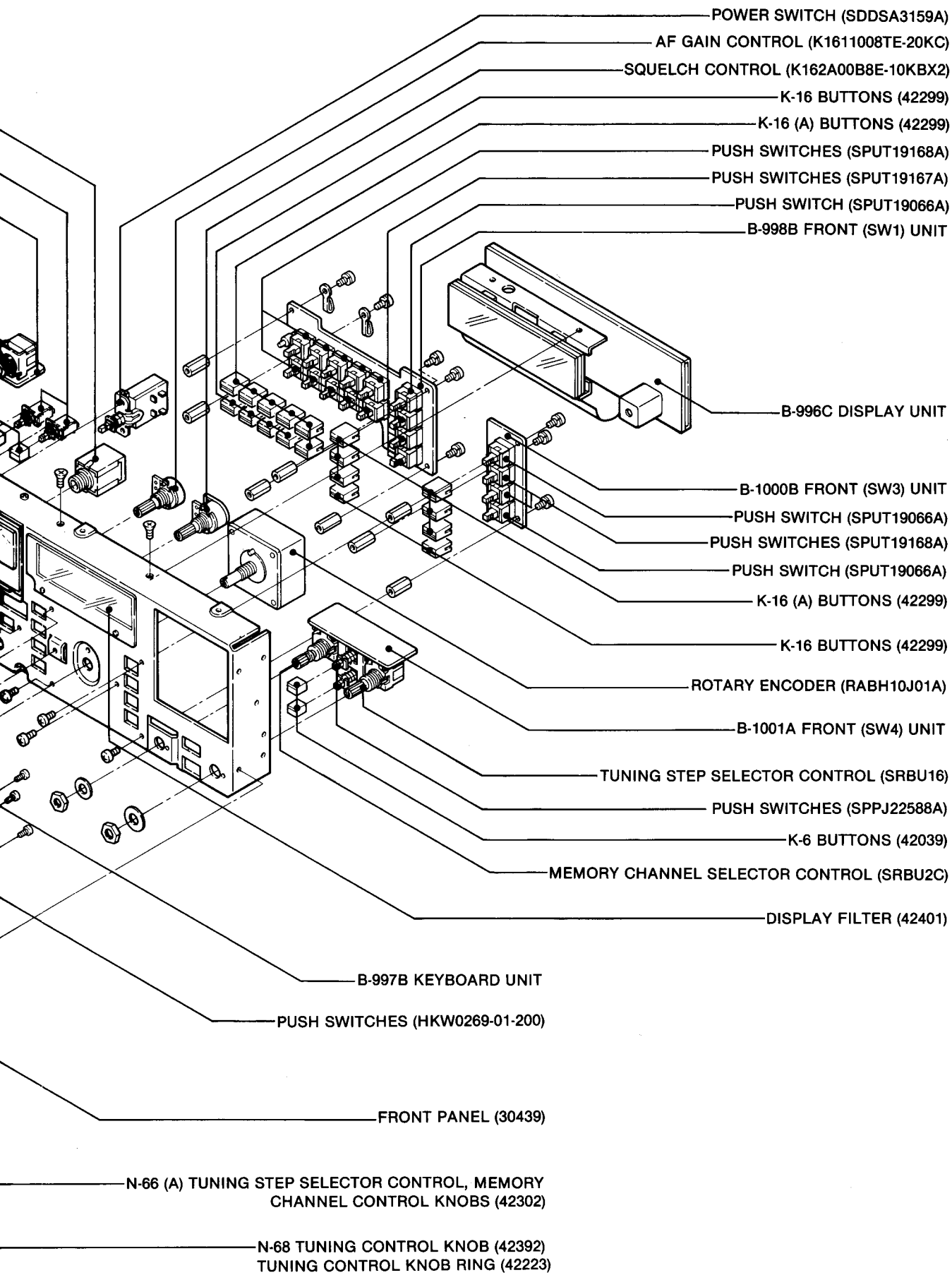
1. Unscrew and remove the 12 screws labelled ① from the top cover.
Remove the top cover.
2. Unscrew and remove the 6 screws labelled ② from the bottom cover.
Remove the bottom cover.
3. Remove the hex screw labelled ③ from the TUNING CONTROL.
Pull out the TUNING CONTROL and the other 6 knobs from the front panel.
4. Unscrew and remove the 5 screws labelled ④ from the front panel.
Remove the front panel.



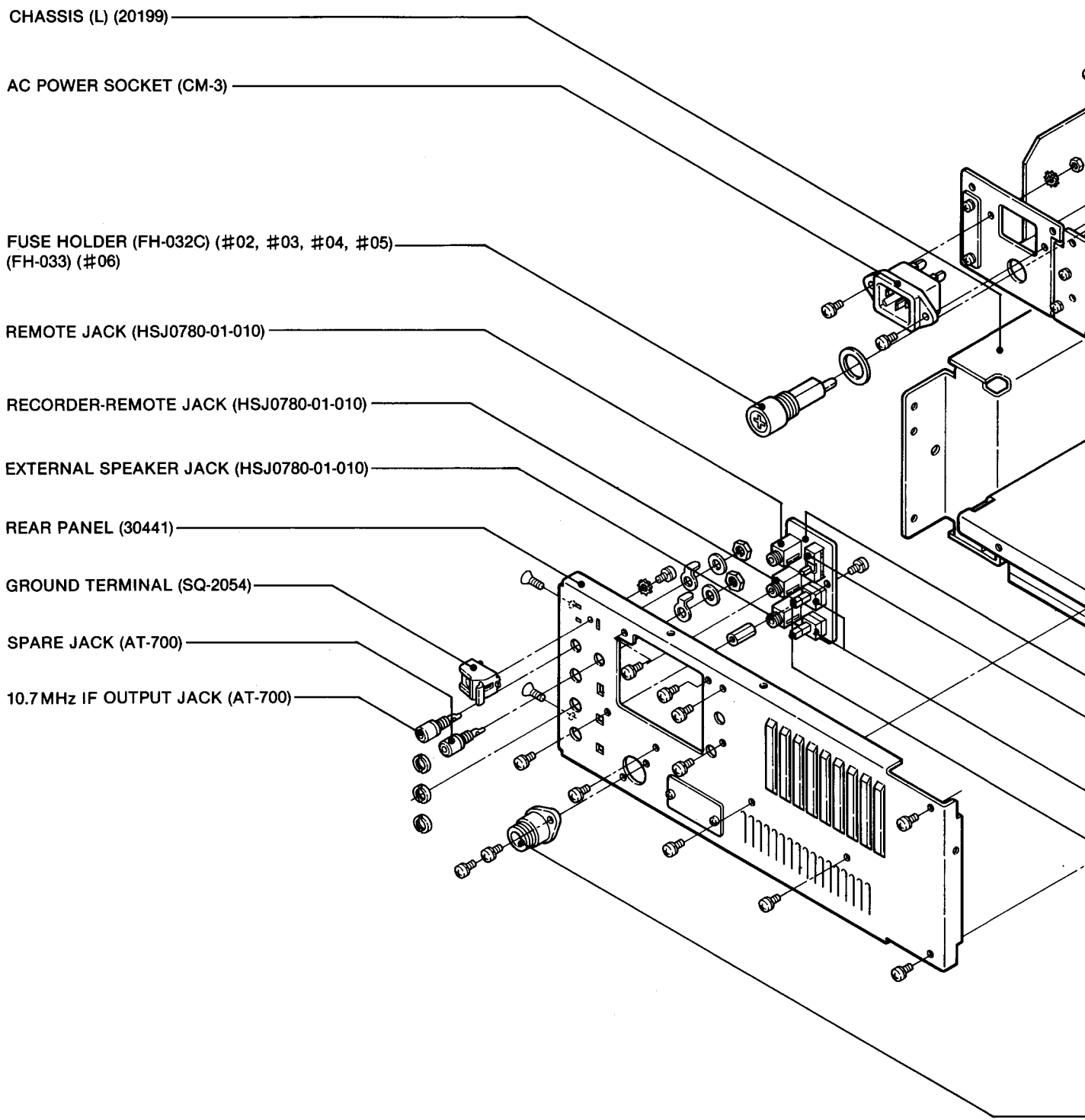


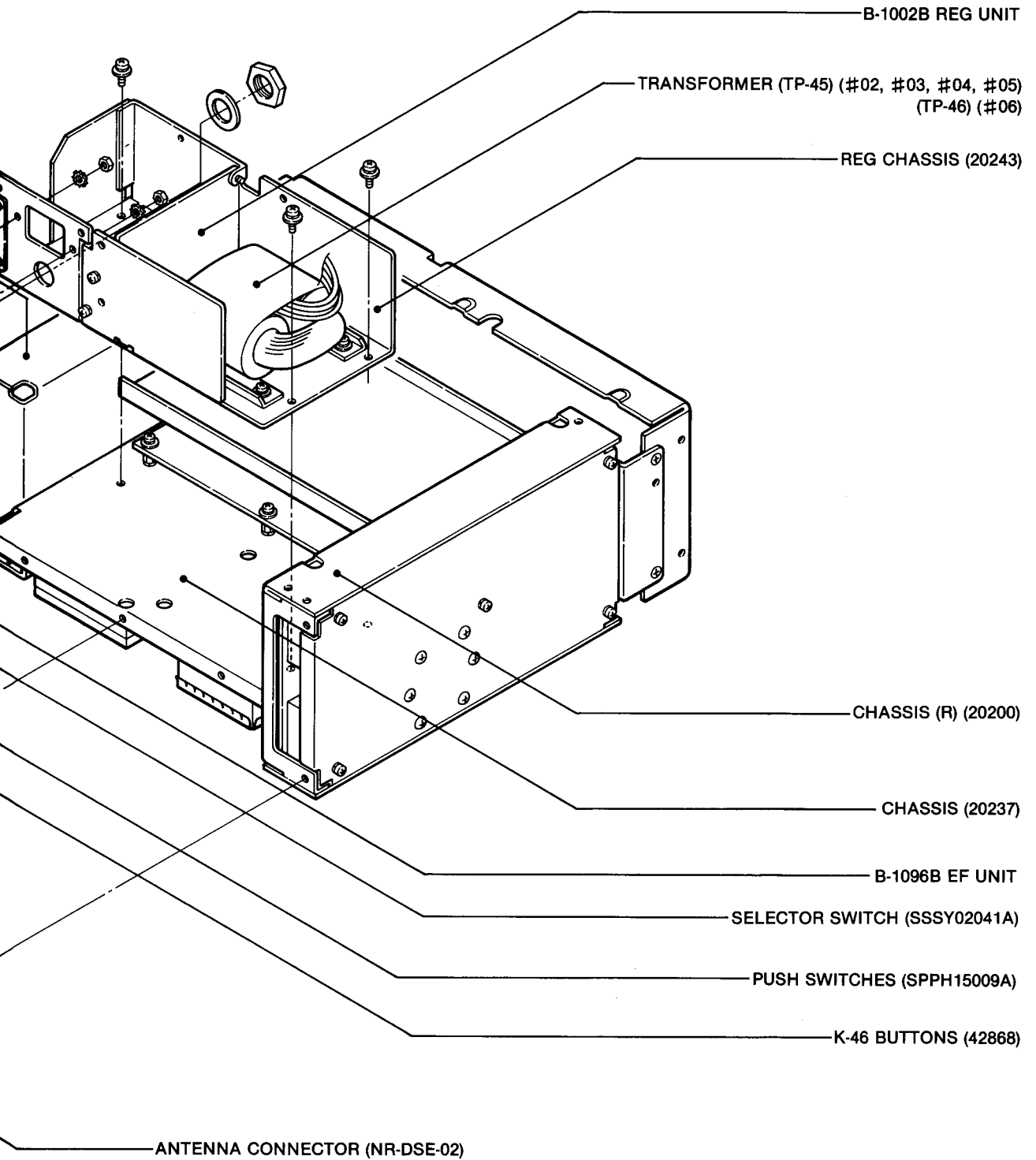
2 FRONT PANEL DISASSEMBLY



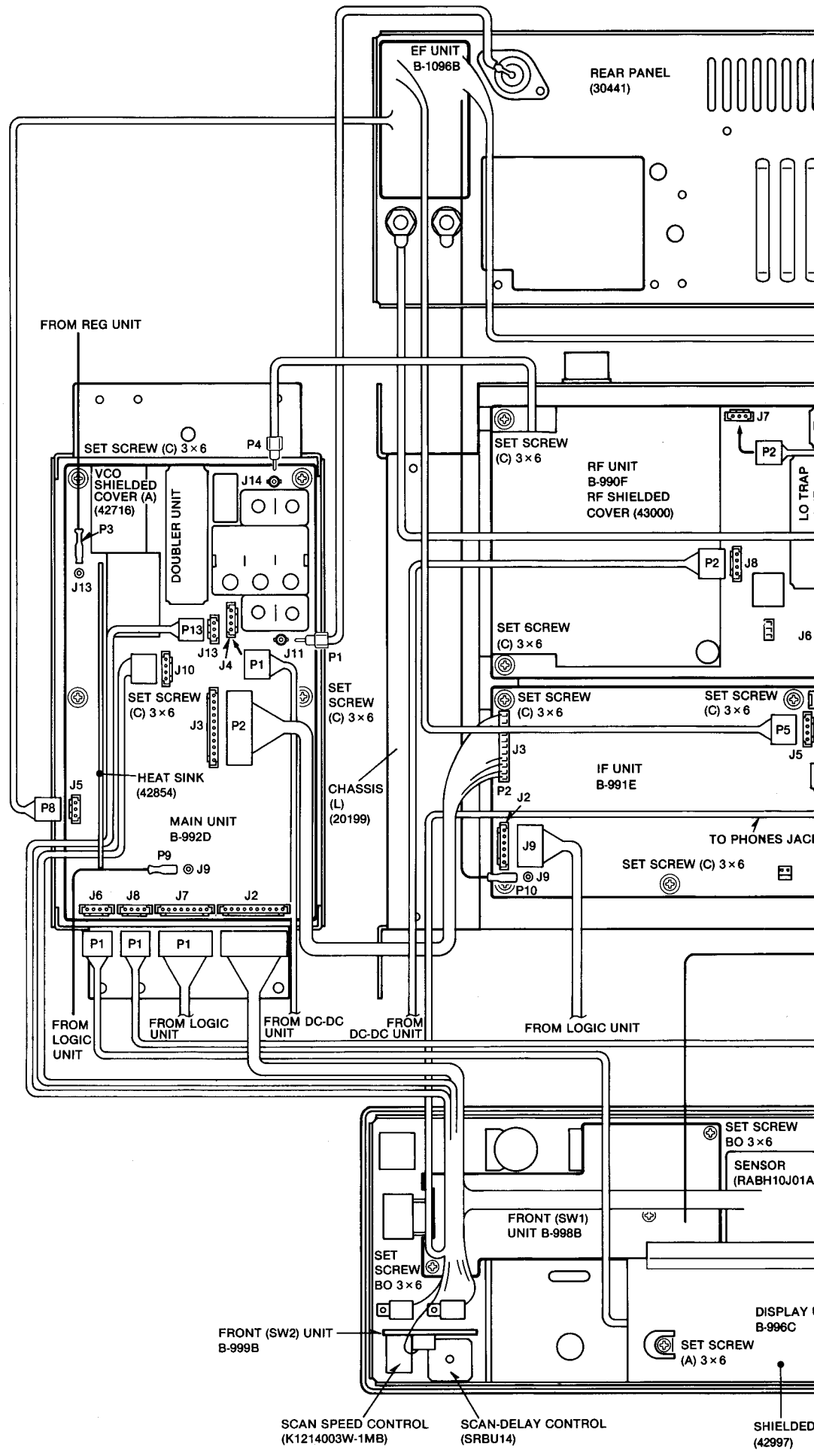


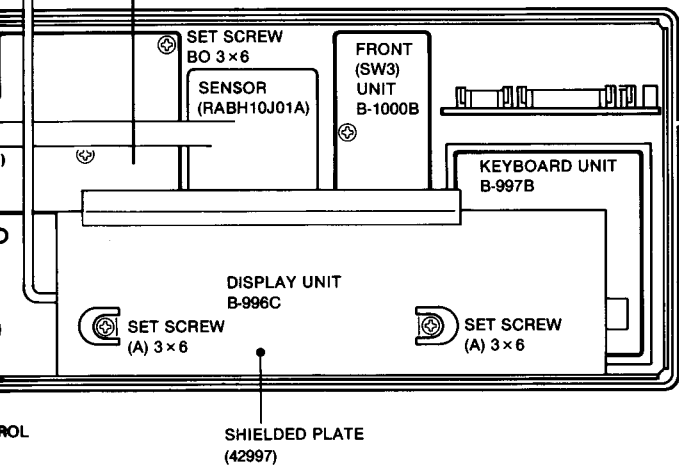
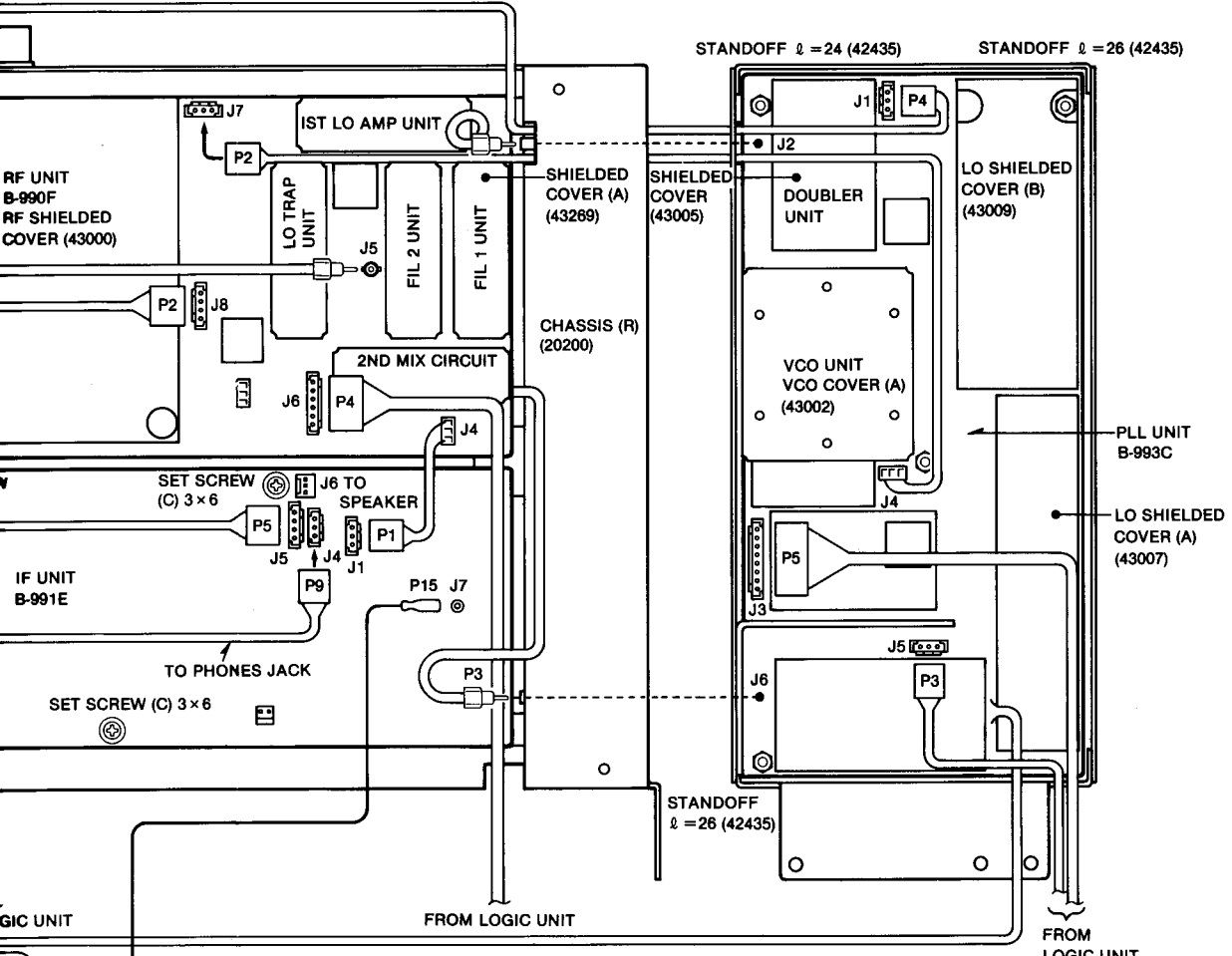
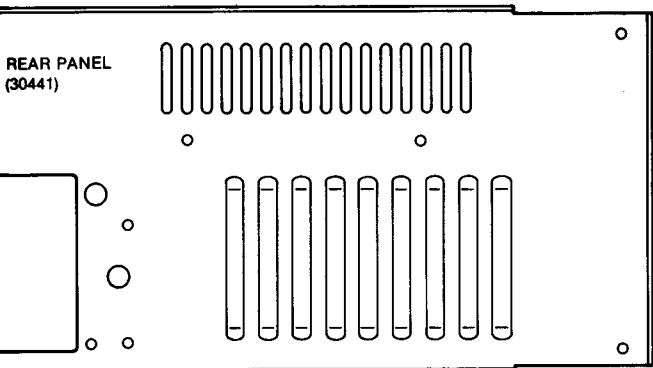
5-3 REAR PANEL DISASSEMBLY



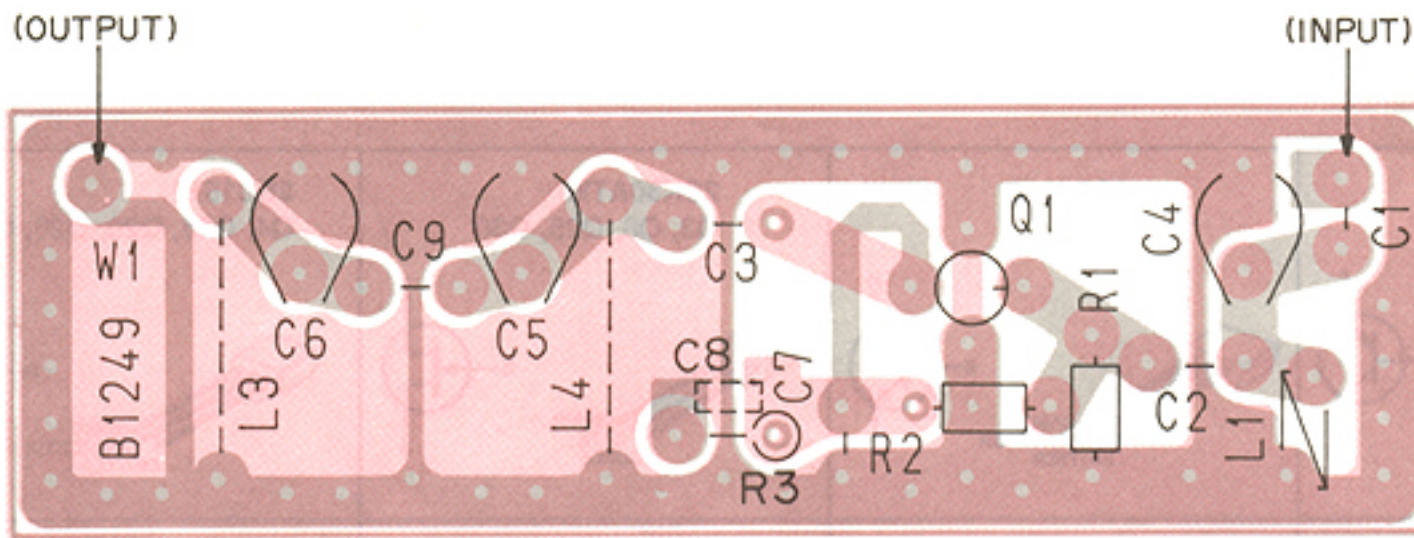


5-4 TOP SIDE CONNECTOR CONNECTIONS

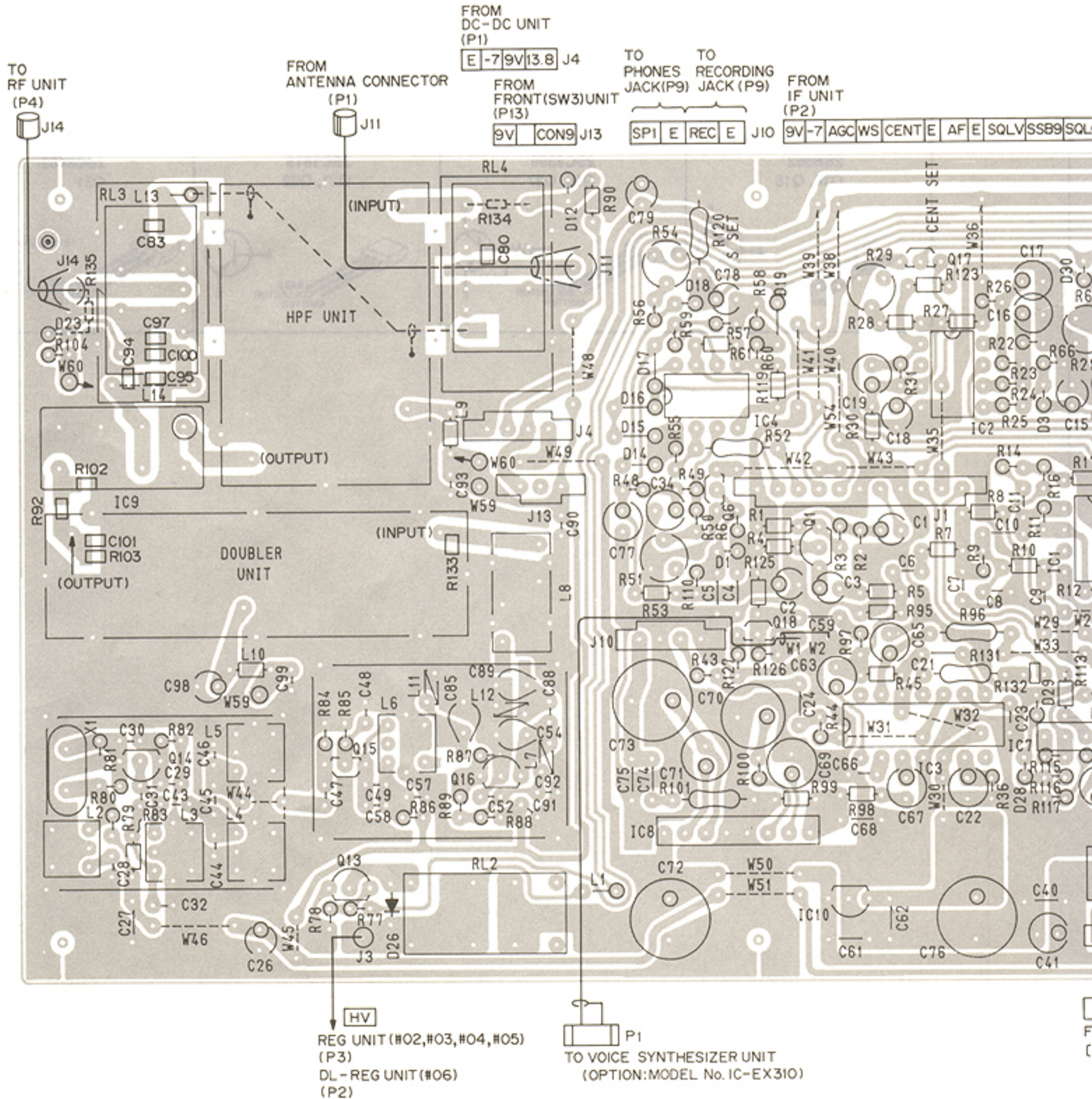




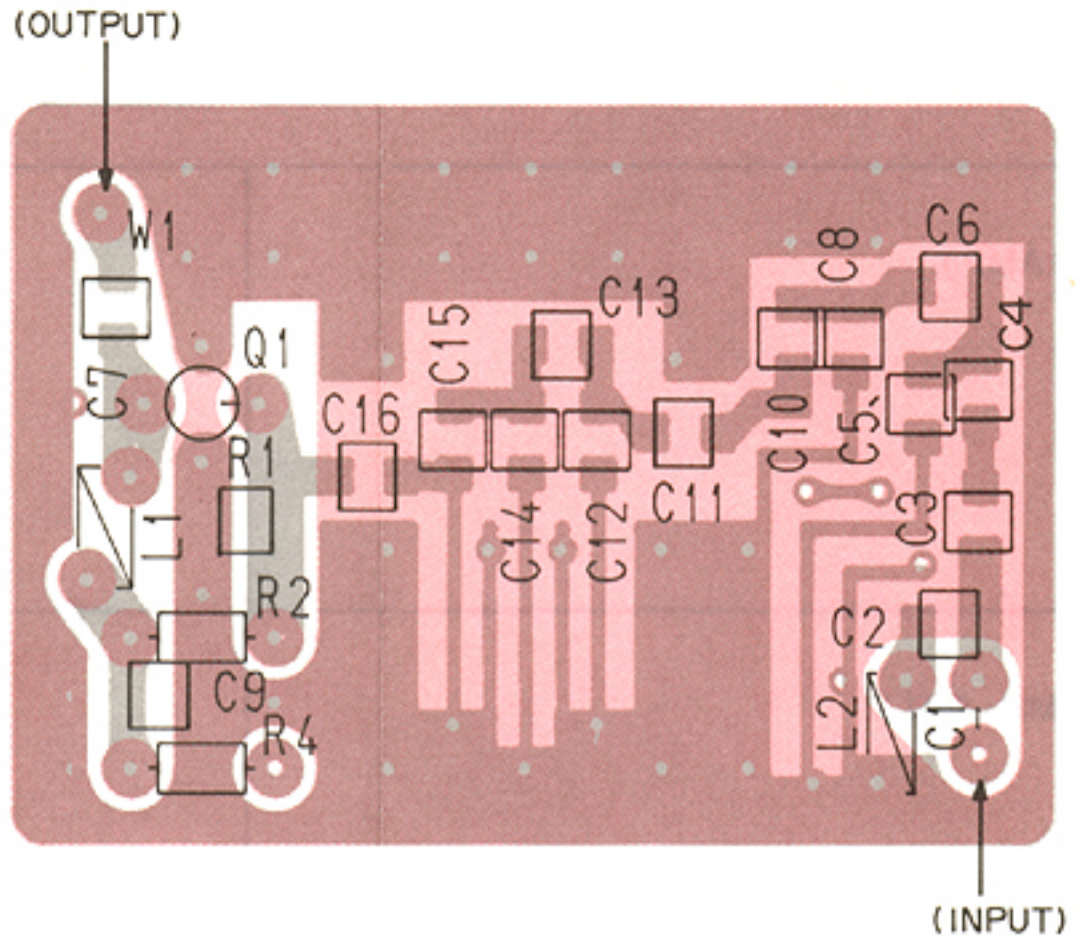
• DOUBLER UNIT



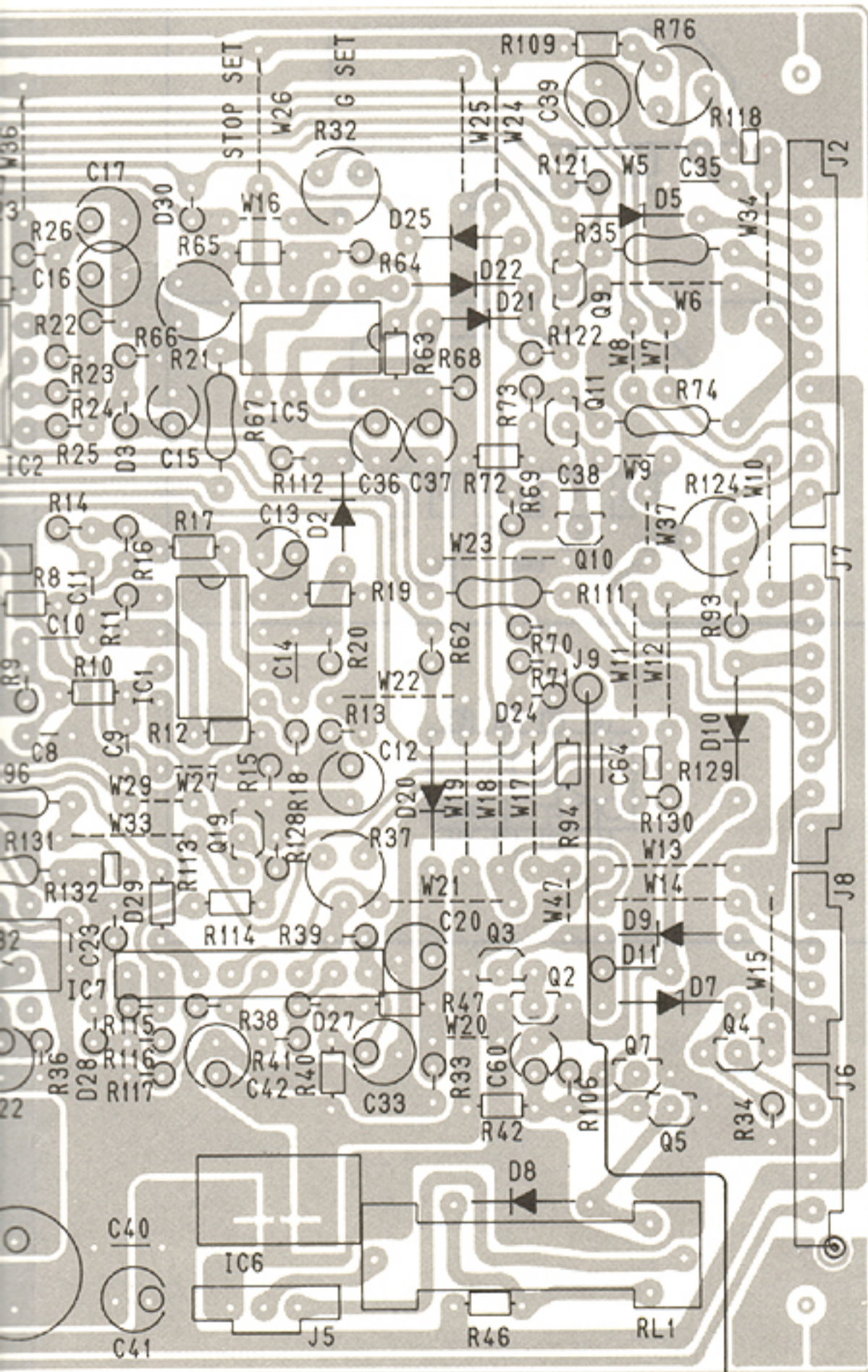
• MAIN UNIT



• HPF UNIT



E SQLV SSB9 SQLC J1



- J2
- | |
|------|
| E |
| SM |
| CM |
| SQL3 |
| SQL2 |
| SQL1 |
| 13.8 |
| HV |
| SQLG |
| AFG |
- FROM METER SWITCH
FROM SQUELCH CONTROL
FROM FRONT (SW1) UNIT
FROM SQUELCH CONTROL
FROM AF GAIN CONTROL

- J7
- | |
|------|
| POC |
| AFUO |
| MO |
| STOP |
| VSC |
| HV |
| 9V |
| 13.8 |
- FROM LOGIC UNIT (P1)

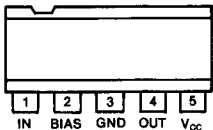
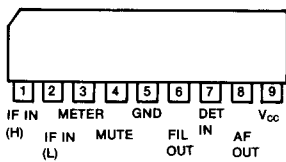
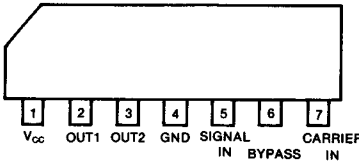
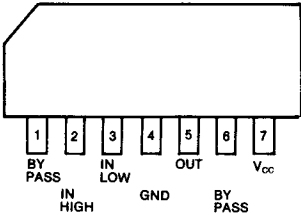
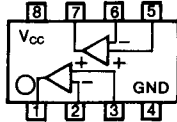
- J8
- | |
|------|
| 13.8 |
| -7 |
| MUTE |
| E |
- FROM PLL UNIT (P1)

- J6
- | |
|------|
| SIG |
| E |
| 13.8 |
| CON9 |
- TO DISPLAY UNIT (P1)

MO2 MO1 J5
FROM EF UNIT (P8)
[RECORDER-REMOTE]

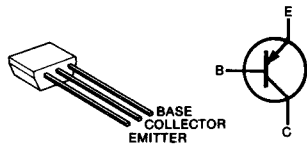
BKMA
LOGIC UNIT (P9)

7-4 IF UNIT

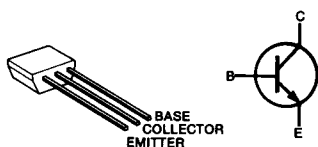
IC		
<p>IC1</p>	<p>BA401 (LIMITER AMP.)</p>	
<p>IC2</p>	<p>TA7303P (FM IF AMP., DET.)</p>	
<p>IC3</p>	<p>μPC1037H (DOUBLE-BALANCED MIXER)</p>	
<p>IC4, IC5</p>	<p>μPC577H (FM IF AMPLIFIER)</p>	
<p>IC6</p>	<p>NJM4558D (LOW NOISE DUAL OPERATIONAL AMPLIFIER)</p>	

TRANSISTORS

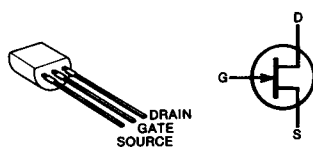
2SA1048
Q1, Q29



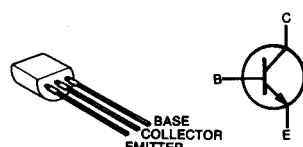
2SC2668
Q2



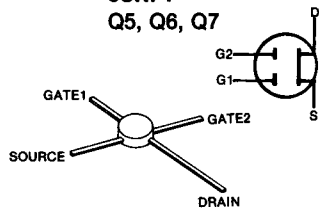
2SK30ATM
Q3, Q8, Q25, Q30



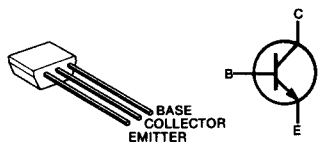
2SC1571
Q4, Q13, Q20, Q23, Q24



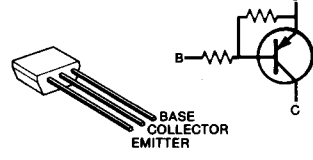
3SK74
Q5, Q6, Q7



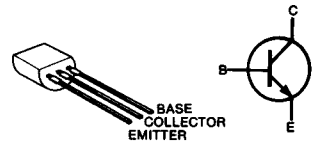
2SC2458
Q9, Q10, Q18, Q19, Q26



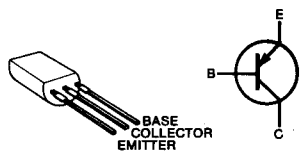
2SA1348
Q11, Q17, Q28



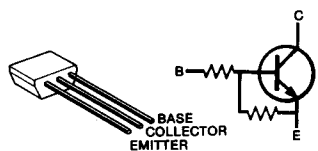
2SC945
Q12



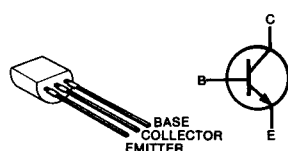
2SB562
Q14, Q15



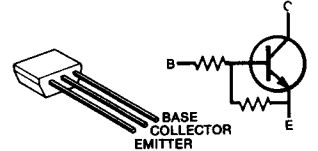
2SC3399
Q16, Q27



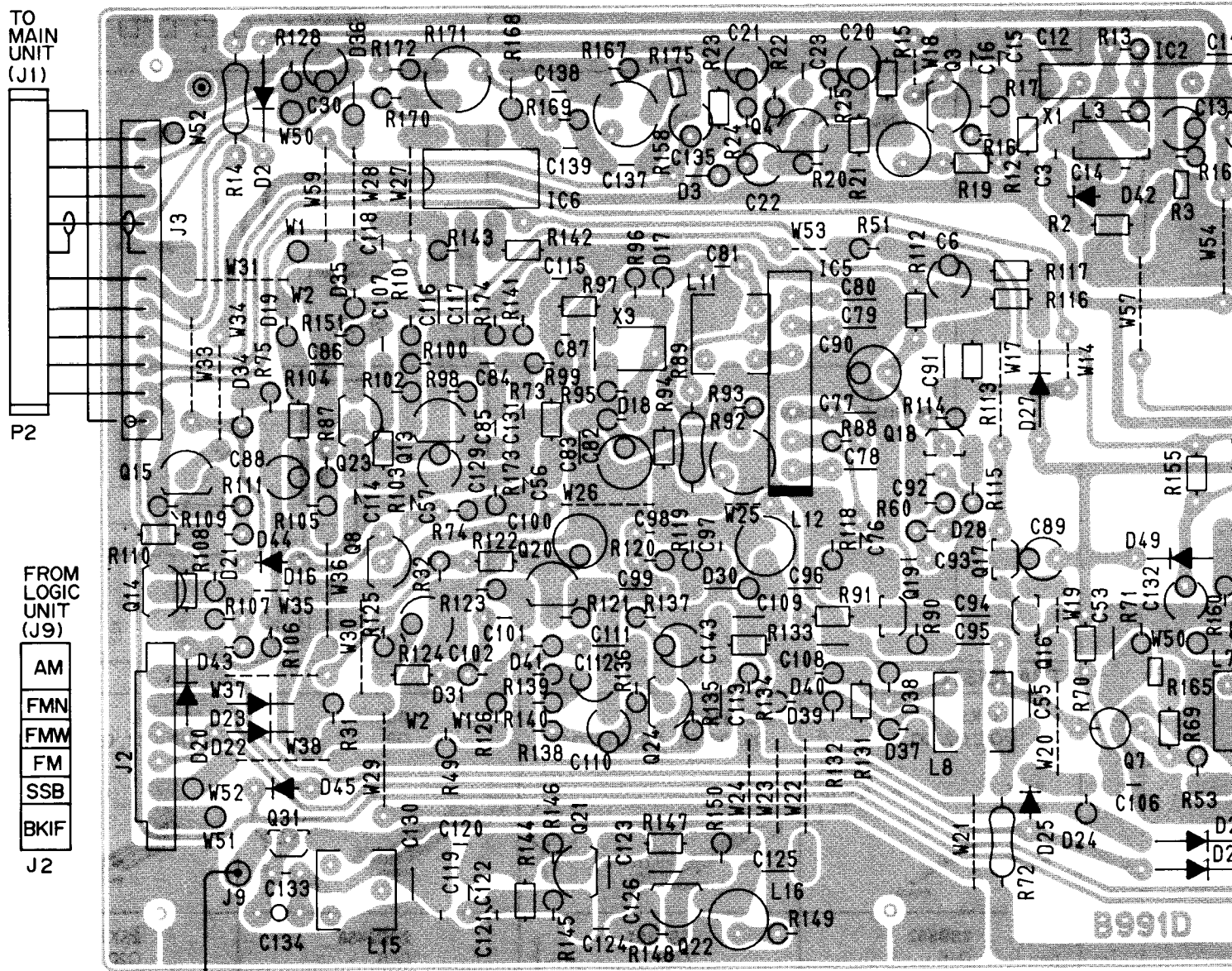
2SC1815
Q21, Q22



2SC3402
Q31



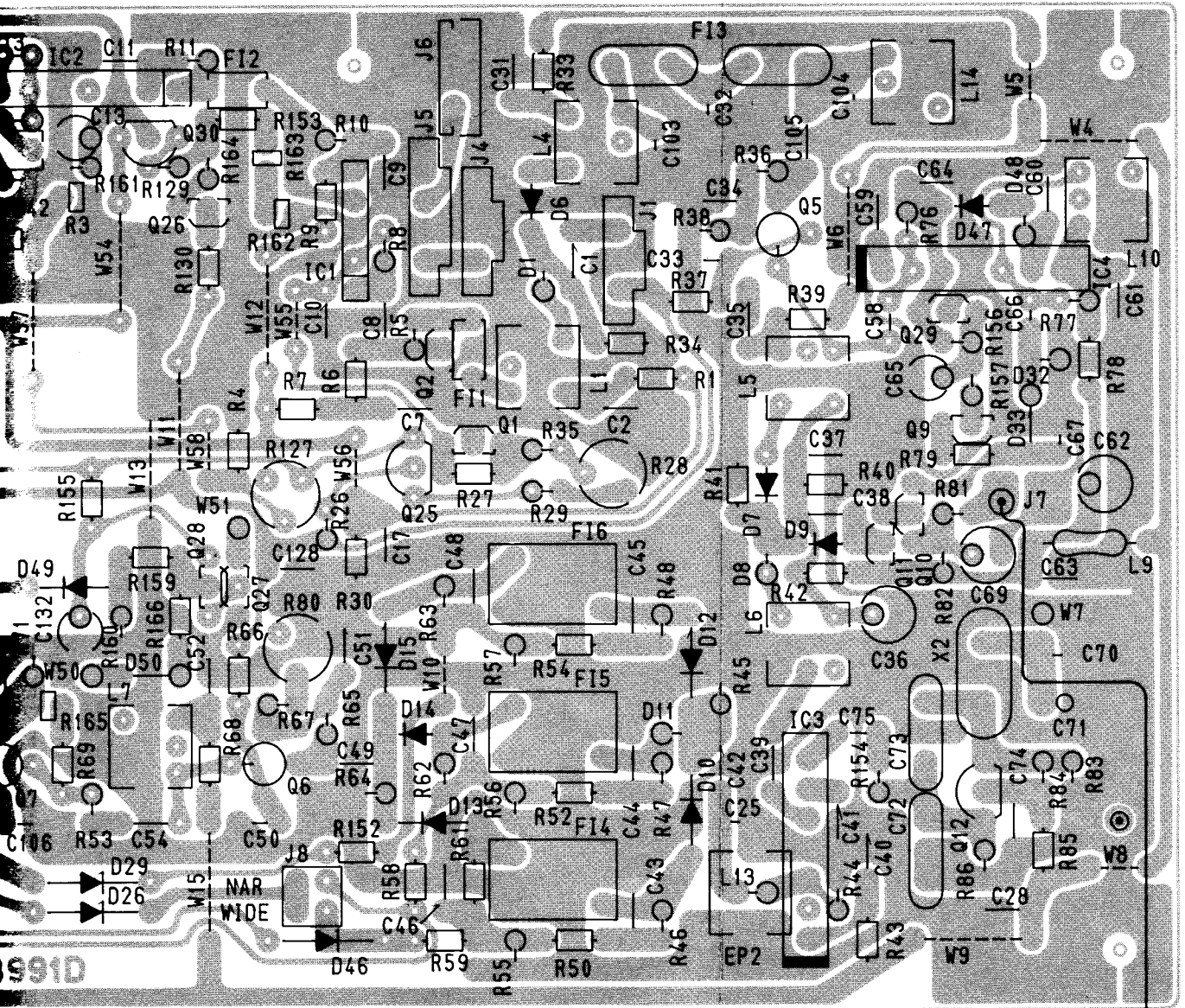
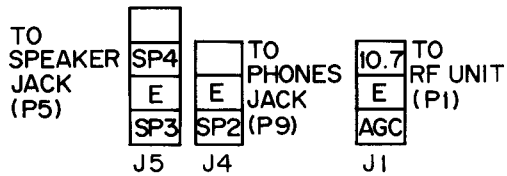
• IF UNIT



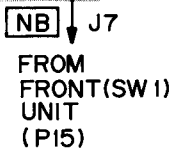
LSB J9

FROM USB/LSB SELECTOR SWITCH (P10)

B991D

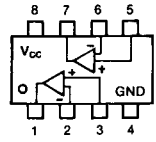
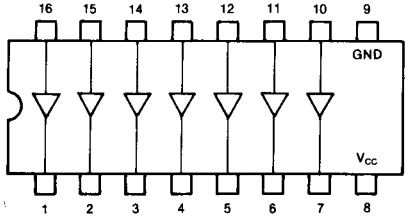
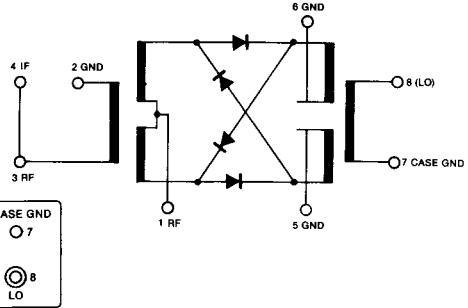
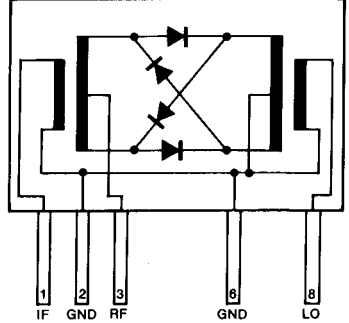


J8

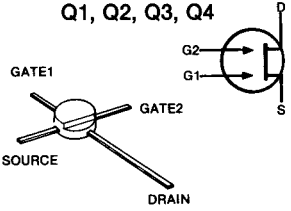
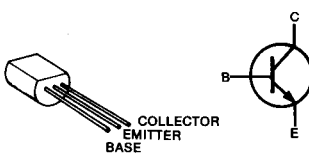
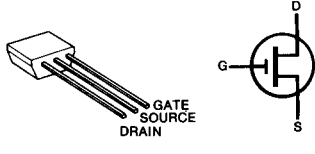
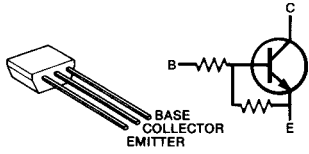
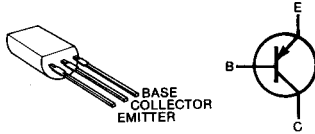
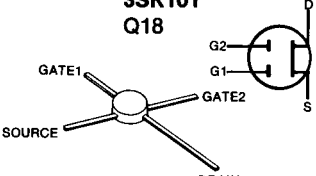
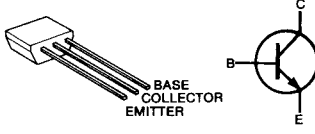
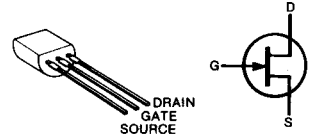
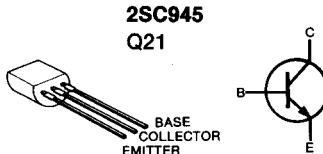


7-5 RF UNIT

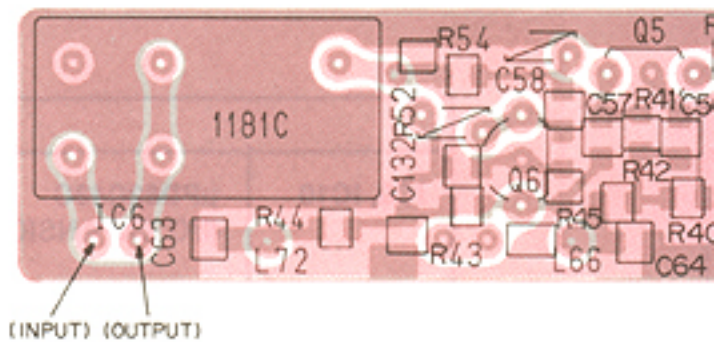
• RF UNIT

IC																		
IC1, IC2, IC3, IC4	NJM4558D (LOW NOISE DUAL OPERATIONAL AMPLIFIER)																	
IC5	BA618 (LED DRIVER)																	
IC6	DM-88XA (DOUBLE-BALANCED MIXER)	 <p>BOTTOM</p> <table border="1"> <tr> <td>RF</td> <td>RF</td> <td>GND CASE GND</td> <td>GND CASE GND</td> </tr> <tr> <td>①</td> <td>③</td> <td>⑤</td> <td>⑦</td> </tr> <tr> <td>②</td> <td>④</td> <td>⑥</td> <td>⑧</td> </tr> <tr> <td>GND</td> <td>IF</td> <td>GND</td> <td>LO</td> </tr> </table>	RF	RF	GND CASE GND	GND CASE GND	①	③	⑤	⑦	②	④	⑥	⑧	GND	IF	GND	LO
RF	RF	GND CASE GND	GND CASE GND															
①	③	⑤	⑦															
②	④	⑥	⑧															
GND	IF	GND	LO															
IC7	DM-251E (DOUBLE-BALANCED MIXER)																	

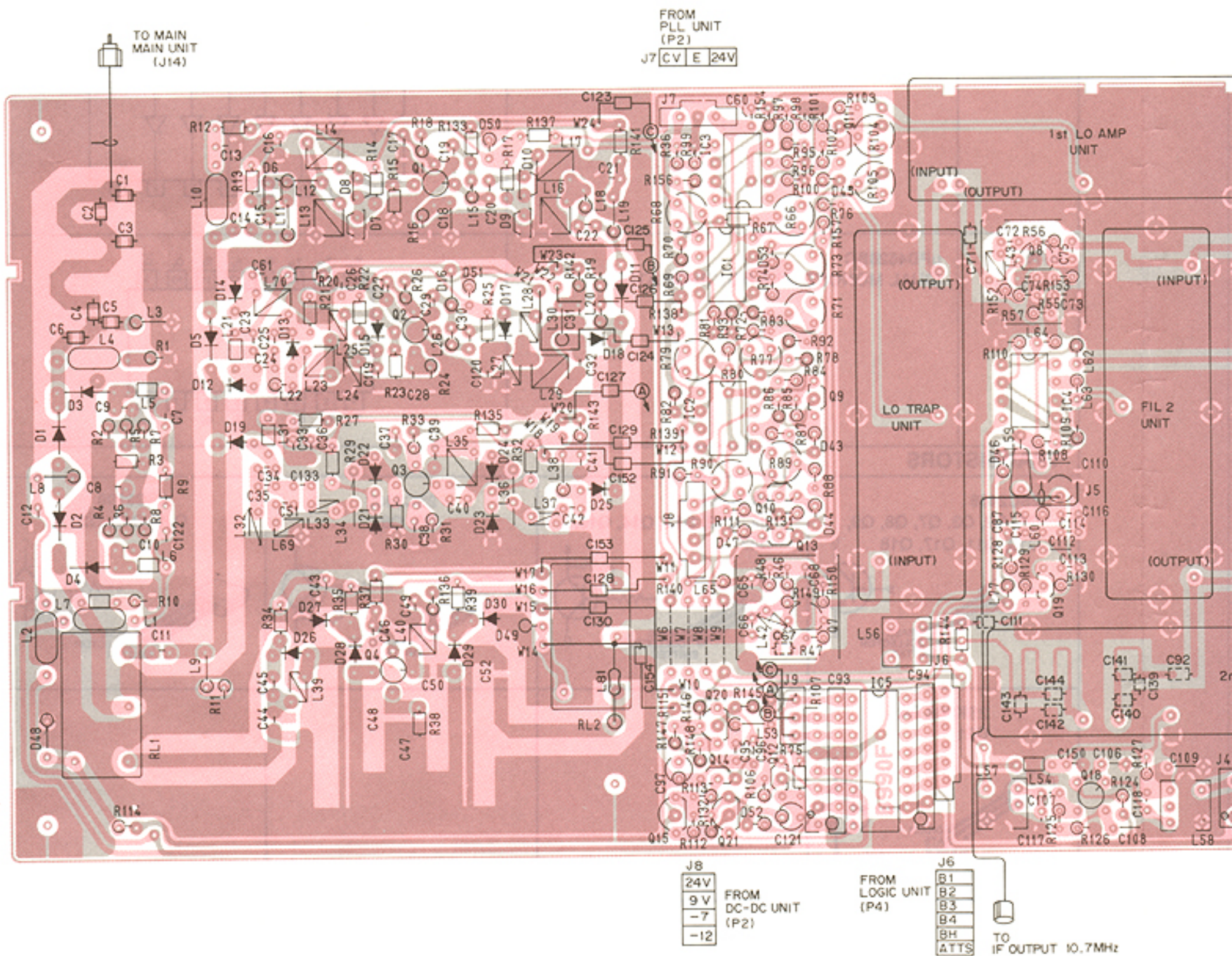
TRANSISTORS

3SK121 Q1, Q2, Q3, Q4 	2SC3355 Q5, Q6, Q7, Q8, Q16, Q17 	2SK241 Q9 	2SC3399 Q10, Q11, Q12, Q13, Q14 
2SB562 Q15 	3SK101 Q18 	2SC2458 Q19 	2SK30ATM Q20 
2SC945 Q21 			

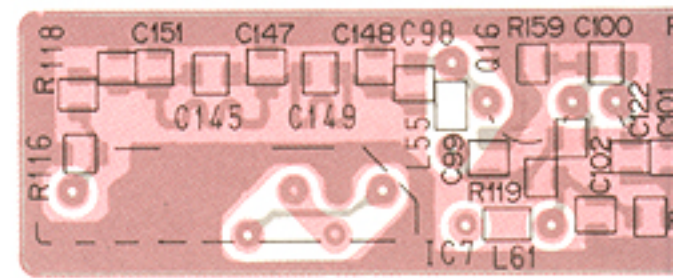
• 1st LO AMP UNIT

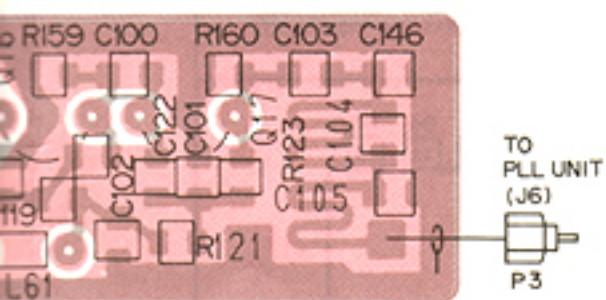
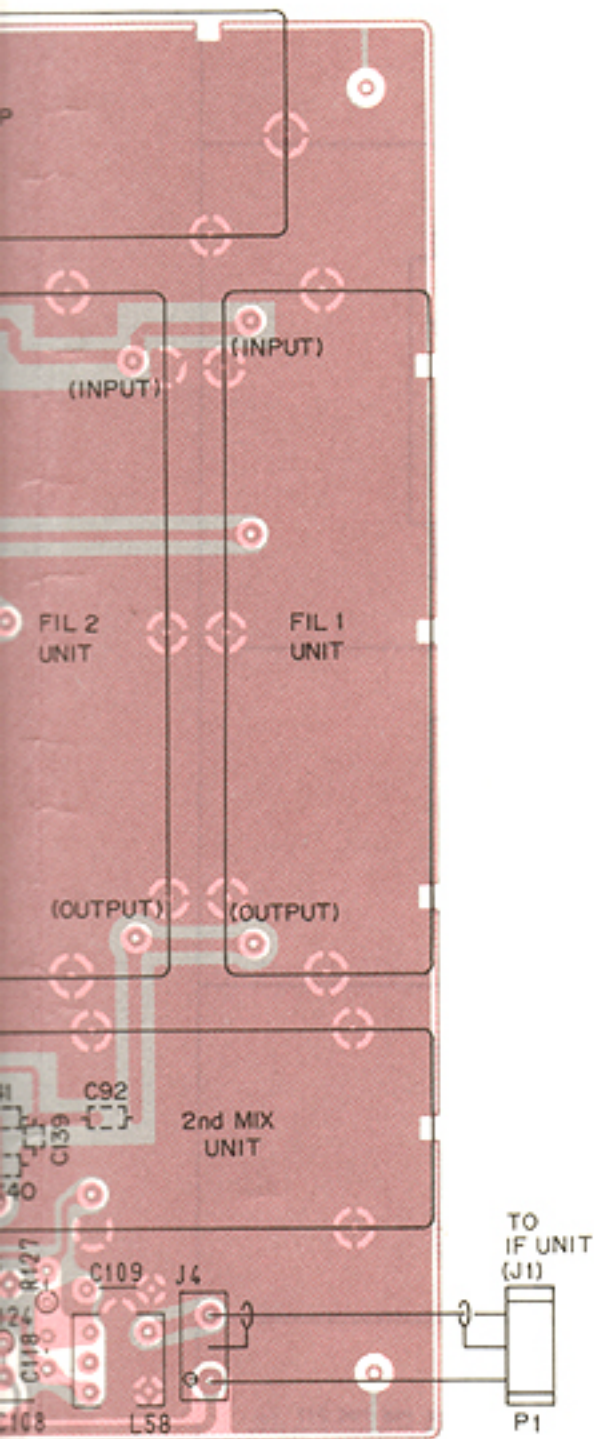
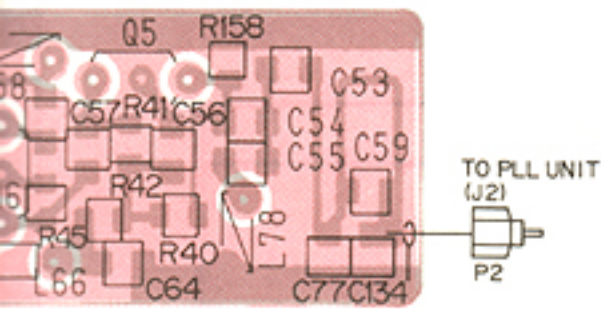


• RF UNIT

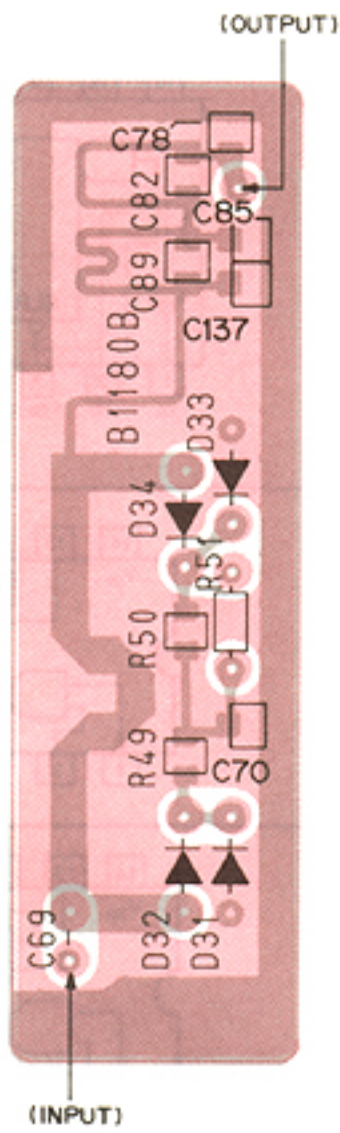


• 2nd MIX UNIT

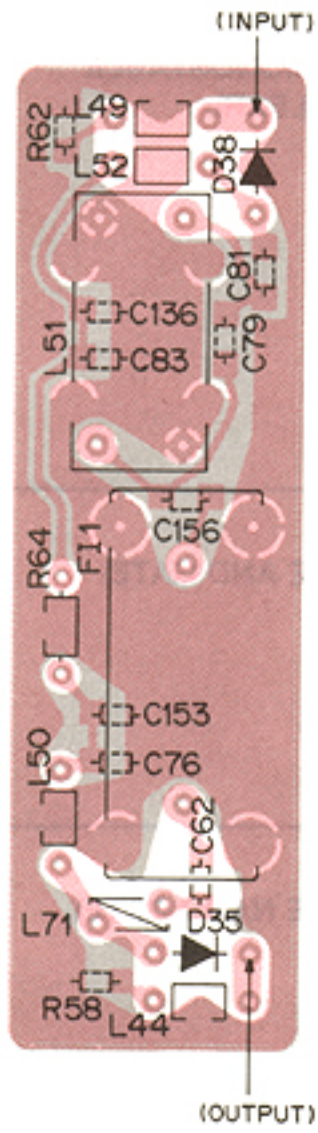




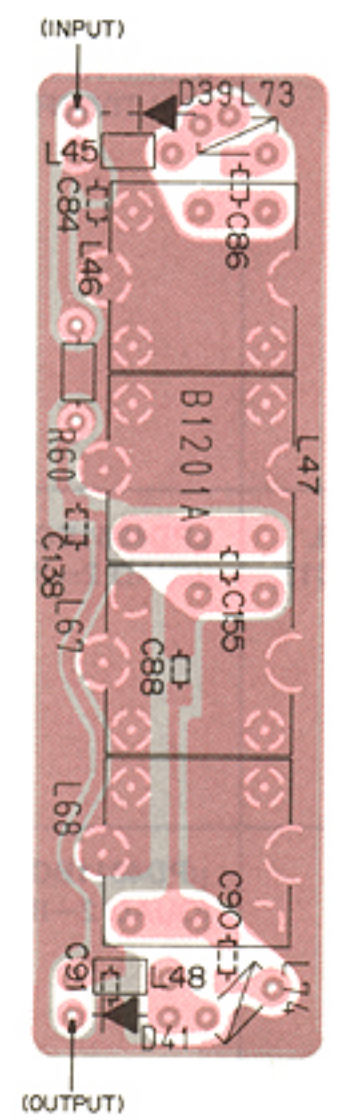
• LO TRAP UNIT



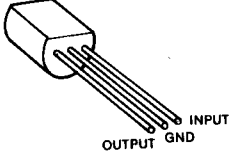
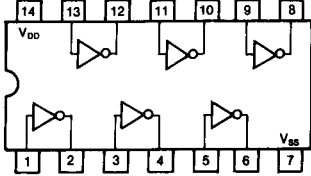
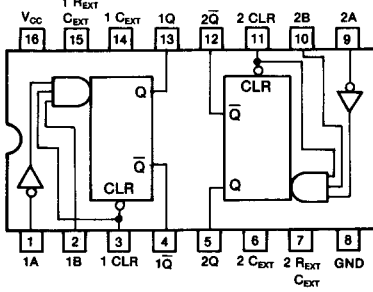
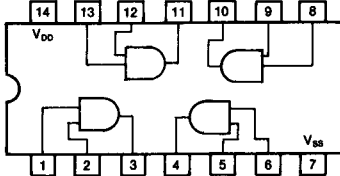
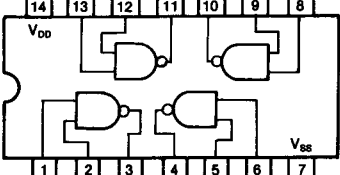
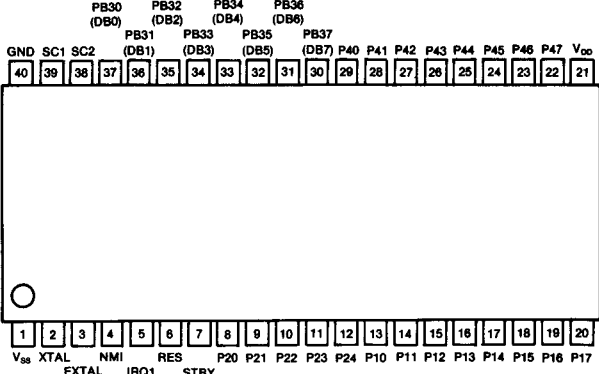
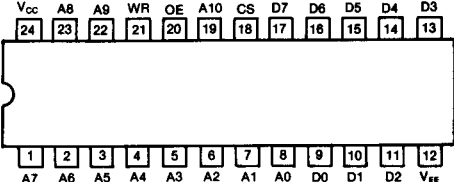
• FIL2 UNIT



• FIL1 UNIT



7-6 LOGIC UNIT

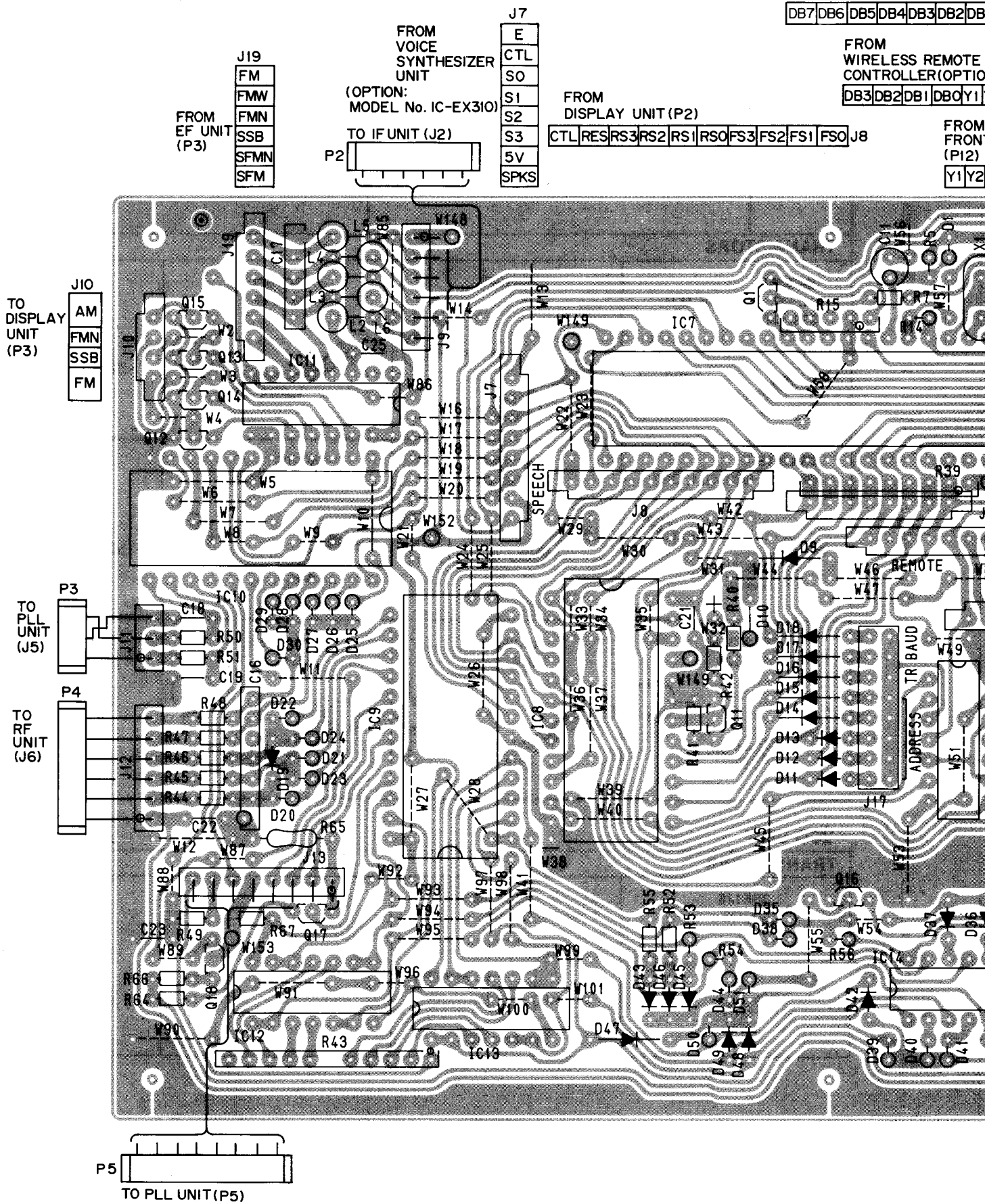
IC		
IC1	TA78L005AP (3-TERMINAL 5V REGULATOR)	
IC2, IC14	μPD4069UBC (HEX INVERTER)	
IC3	SN74LS123 (DUAL RETRIGGERABLE MONOSTABLE MULTIVIBRATOR WITH CLEAR)	
IC4, IC6, IC12, IC13, IC15	μPD4081BC (QUAD 2-INPUT POSITIVE AND GATE)	
IC5	μPD4011BC (QUAD 2-INPUT POSITIVE NAND GATE)	
IC7	HD63A01V1D26P (CPU)	
IC8	μPD446C (16K CMOS STATIC RAM)	

IC9, IC10	μPD82C43C (I/O EXPANSION PORT)	
IC11	BA618 (LED DRIVER)	
IC16	μPD4528BC (DUAL MONOSTABLE MULTIVIBRATOR)	

TRANSISTORS

2SC2458 Q1, Q2, Q3, Q7, Q8, Q9, Q10, Q11, Q17, Q18 	2SA1348 Q4, Q12, Q13, Q14, Q15, Q22 	2SC3402 Q5, Q6 	2SC3399 Q16, Q19, Q20
2SK30ATM Q21 			

• LOGIC UNIT



DB7|DB6|DB5|DB4|DB3|DB2|DB1

FROM WIRELESS REMOTE CONTROLLER (OPTIONAL)
DB3|DB2|DB1|DB0|Y1|Y2

FROM DISPLAY UNIT (P2)
CTL|RES|RS3|RS2|RS1|RS0|FS3|FS2|FS1|FS0|J8

FROM FRONT (P12)
Y1|Y2

J19
FM
FMW
FMN
SSB
SFMN
SFM

FROM VOICE SYNTHESIZER UNIT
(OPTION: MODEL No. IC-EX310)

J7
E
CTL
SO
S1
S2
S3
5V
SPKS

TO IF UNIT (J2)
P2

TO DISPLAY UNIT (P3)
J10
AM
FMN
SSB
FM

TO PLL UNIT (J5)
P3

TO RF UNIT (J6)
P4

P5
TO PLL UNIT (P5)

DB5 DB4 DB3 DB2 DB1 DB0 J16

FROM WIRELESS REMOTE (P1)
CONTROLLER (OPTION: MODEL No. RC-12)

DB3 DB2 DB1 DB0 Y1 Y2 Y3 Y4 J14

FROM FRONT (SW4) UNIT (P12)

Y1 Y2 Y3 Y4 J15

J1 FROM DEF UNIT (P7)

E
CI-V

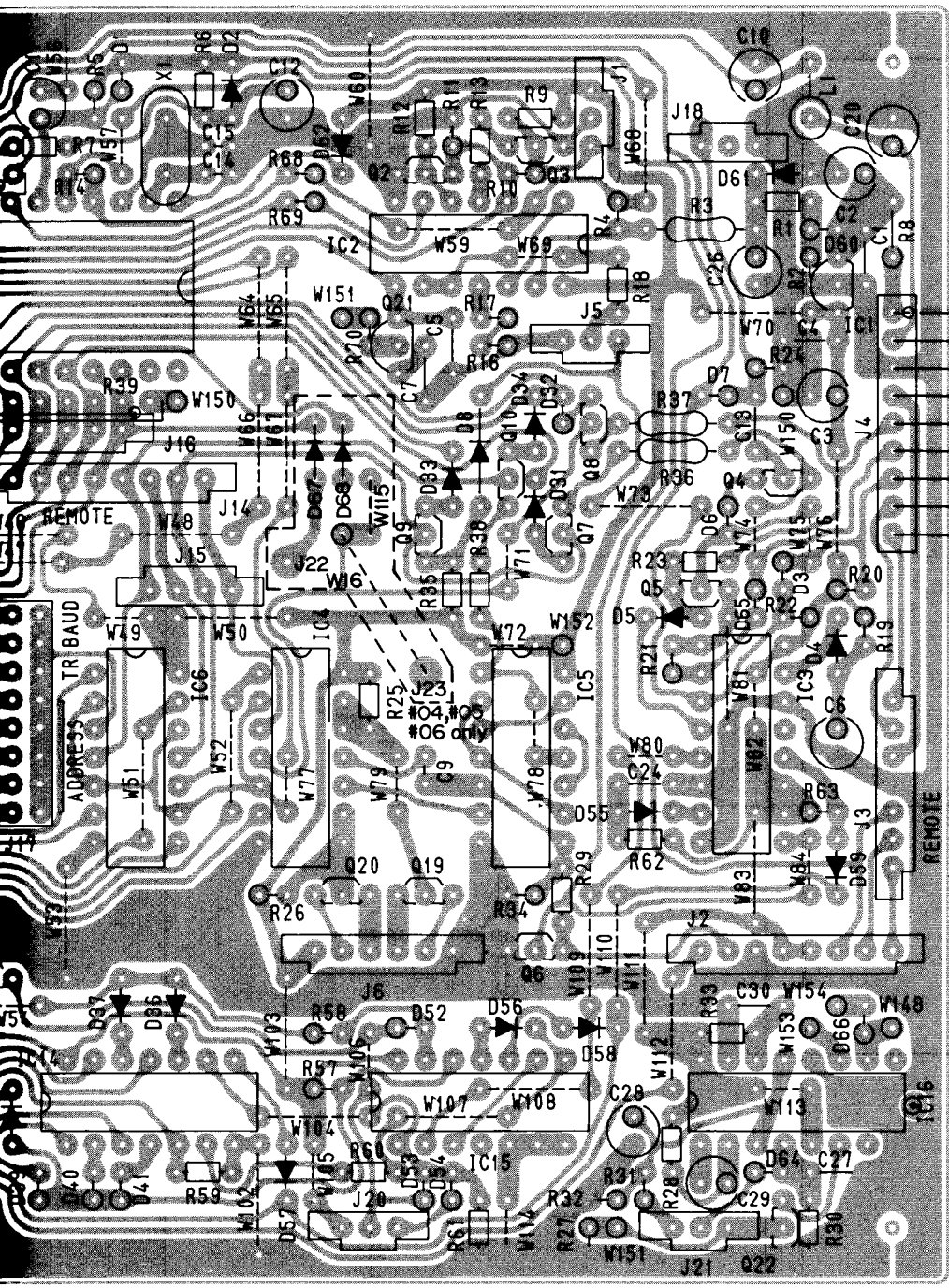
FROM DEF UNIT (P6)

REC	E
-----	---

J18

FROM FRONT (SW2) UNIT (P1)

J5 SS1 SS2 VSCS



P1 TO MAIN UNIT (J7)

J3 FROM WIRELESS REMOTE CONTROLLER (OPTION: MODEL No. RC-12) (P2)

POC
AF UD
HV
E
SPKS
REI3
REM

J6 5V SENISENSENSEN E

4	3	2	1	E
---	---	---	---	---

FROM SENSOR UNIT (P8)

J20 5V IK 0.1

FROM FRONT (SW4) UNIT (P14)

J2 ATT5 LOCK E 5V 5V SPKS REI3 REM

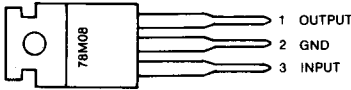
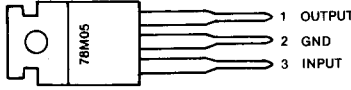
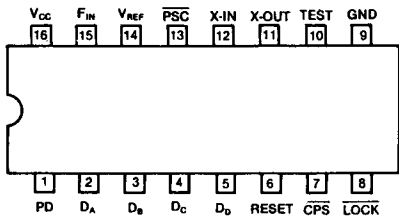
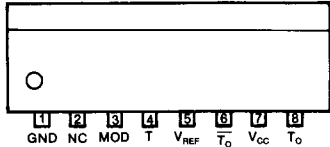
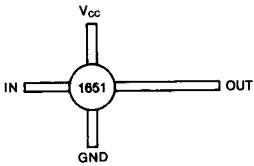
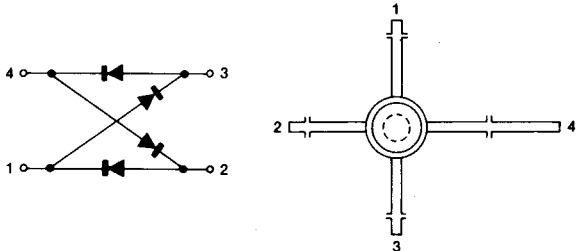
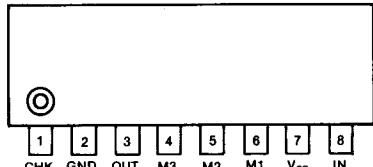
FROM FRONT (SW1) UNIT AND FRONT (SW3) UNIT (P7)

J21 SCAN PRIO PRO

FROM DISPLAY UNIT (P4)

7-7 PLL UNIT

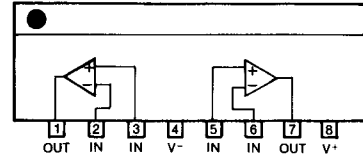
• PLL UNIT

IC		
IC1	μA78M08 (3-TERMINAL 8V REGULATOR)	
IC2	NJM78M05A (3-TERMINAL 5V REGULATOR)	
IC3	M54929P (DUAL MODULUS PLL IC)	
IC4	M54466L (1/10, 1/11 DIVIDER)	
IC5, IC9, IC10	μPC1651G (RF WIDE BAND AMP.)	
IC6, IC8	ND487C1-3R (DOUBLE-BALANCED MIXER)	
IC7	HD10511 (PRESCALER)	

IC

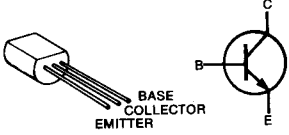
IC11

M5218L
(LOW NOISE DUAL OPERATIONAL AMPLIFIER)

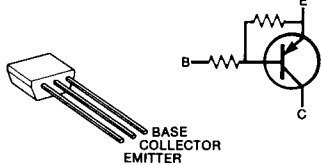


TRANSISTORS

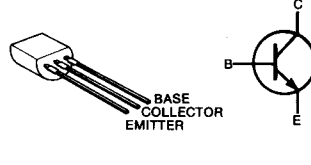
2SC3355
Q1, Q2, Q12, Q18, Q27,
Q28, Q29



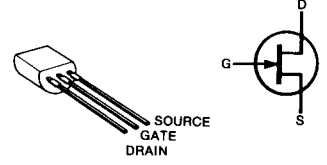
2SA1345
Q4



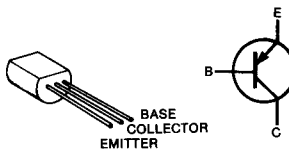
2SC1571
Q5, Q19



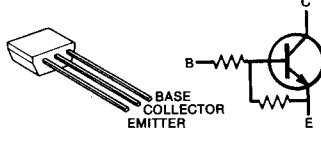
2SK162
Q6, Q13



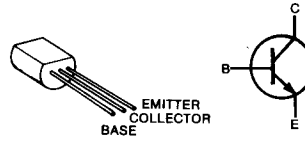
2SA1015
Q8, Q14, Q20, Q21, Q22



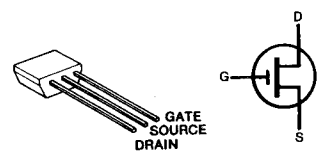
2SC3399
Q3, Q9, Q23



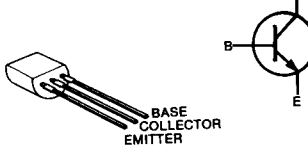
2SC763
Q10, Q16, Q25



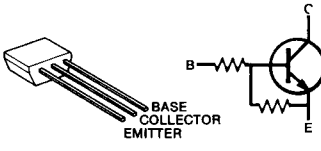
2SK241
Q11, Q17, Q26



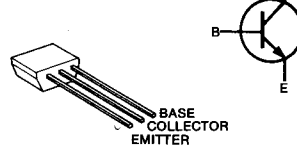
2SC383TM
Q15, Q24



2SC3402
Q30



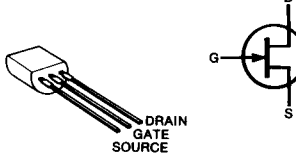
2SC2785
Q31



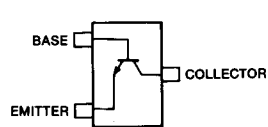
• VCO UNIT

TRANSISTORS

2SK125
Q1, Q3

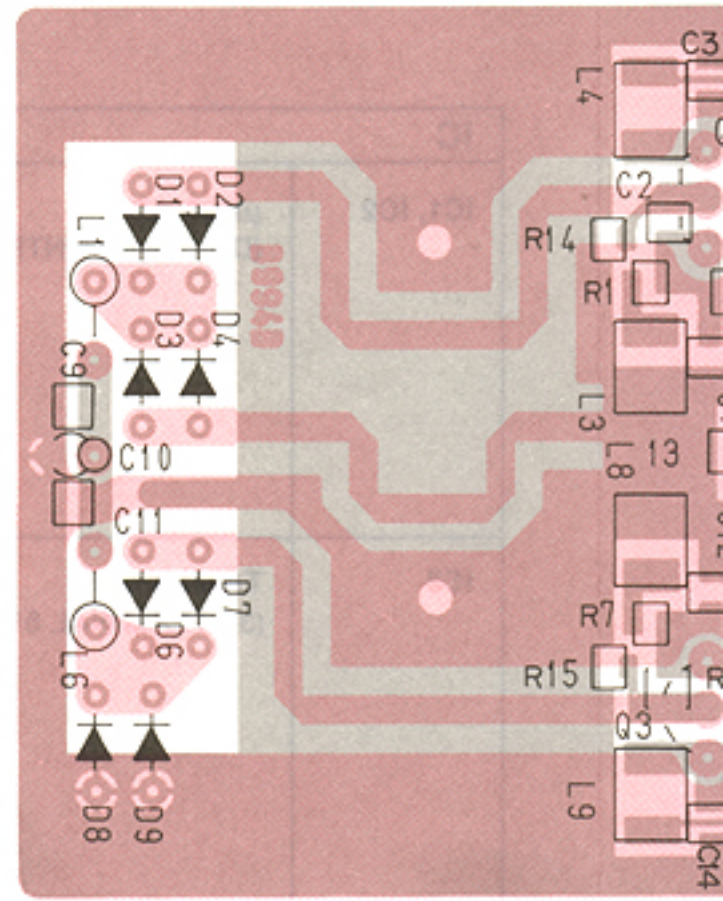


2SC3356
Q2, Q4

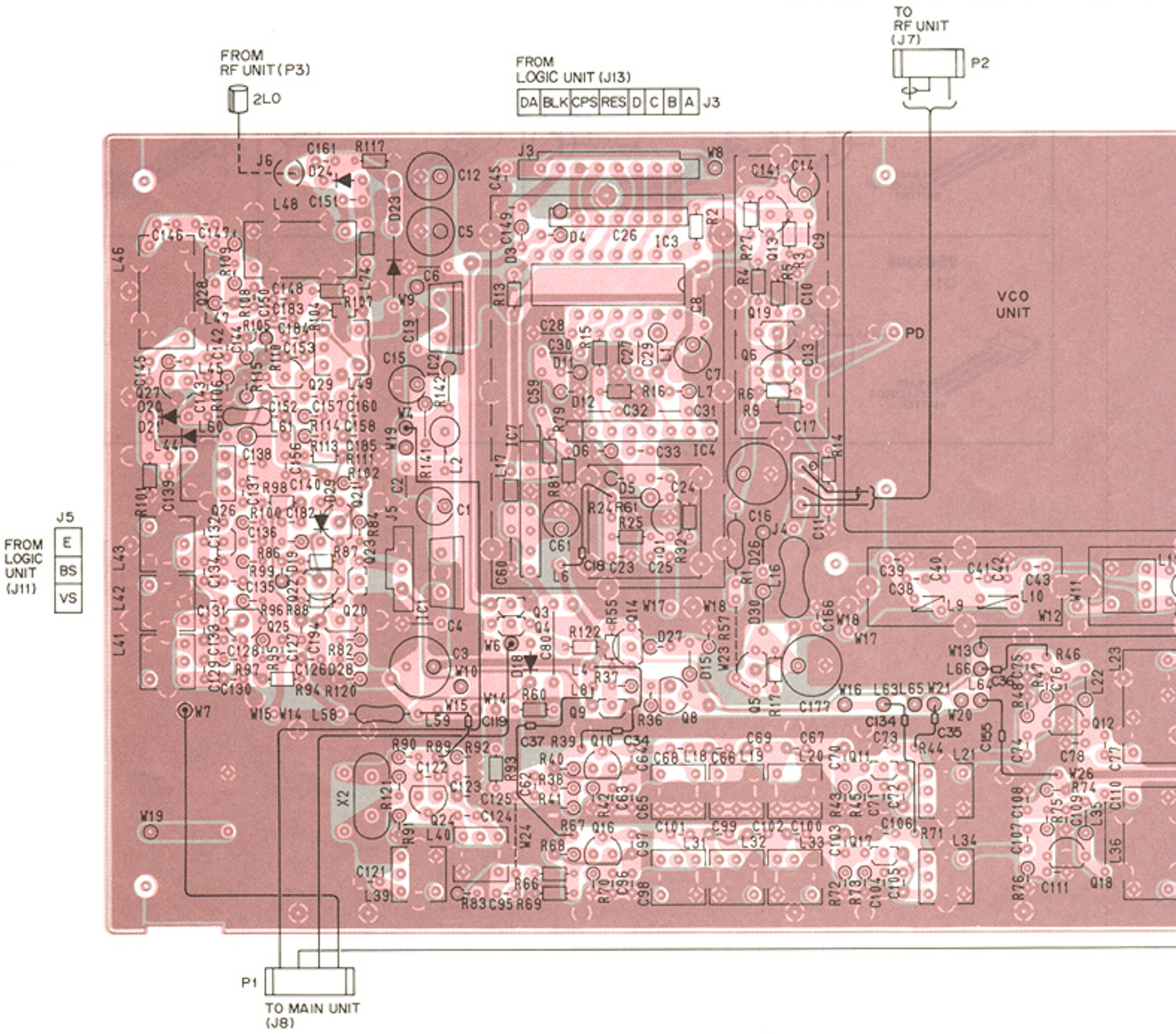


Symbol: R22

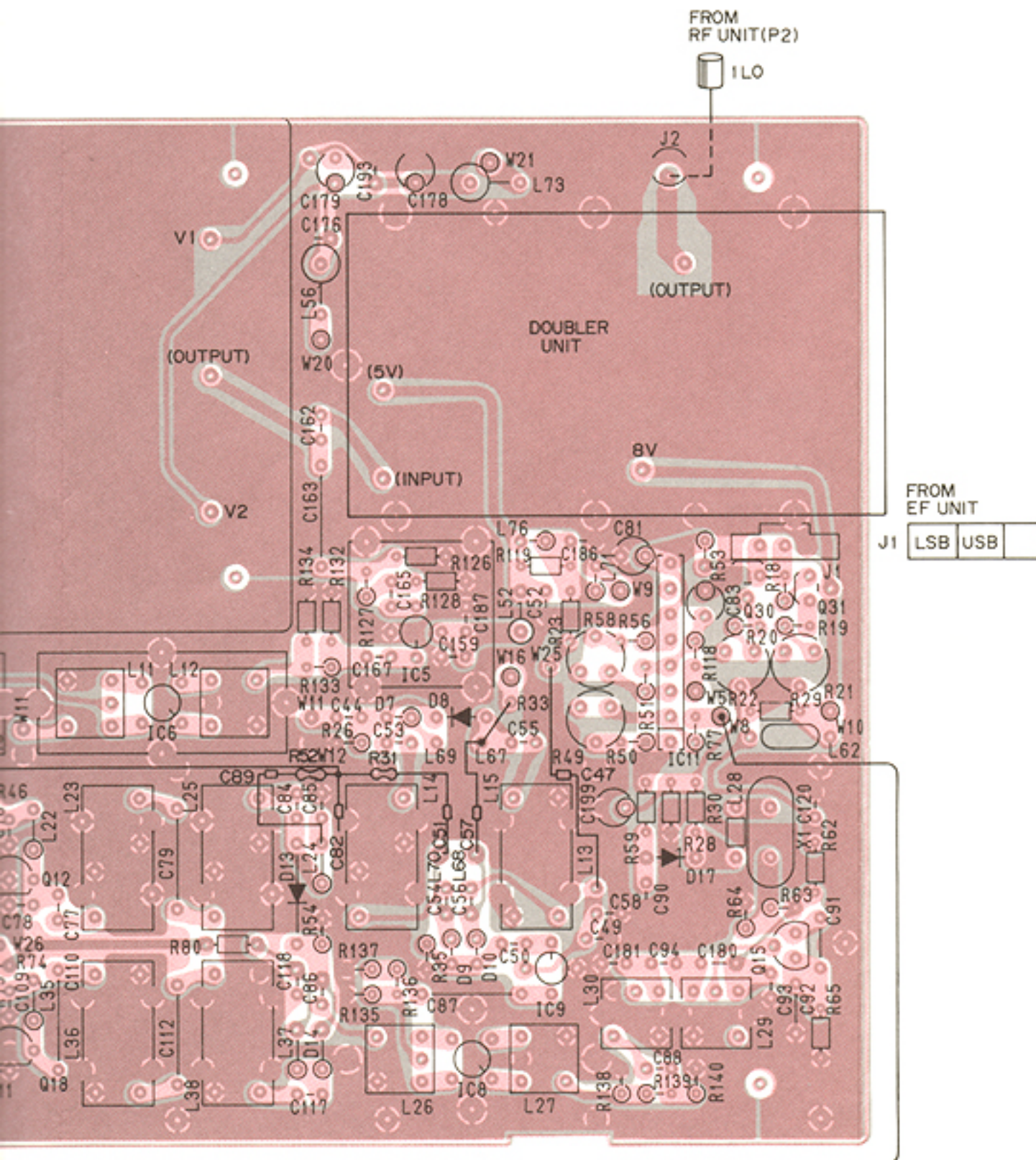
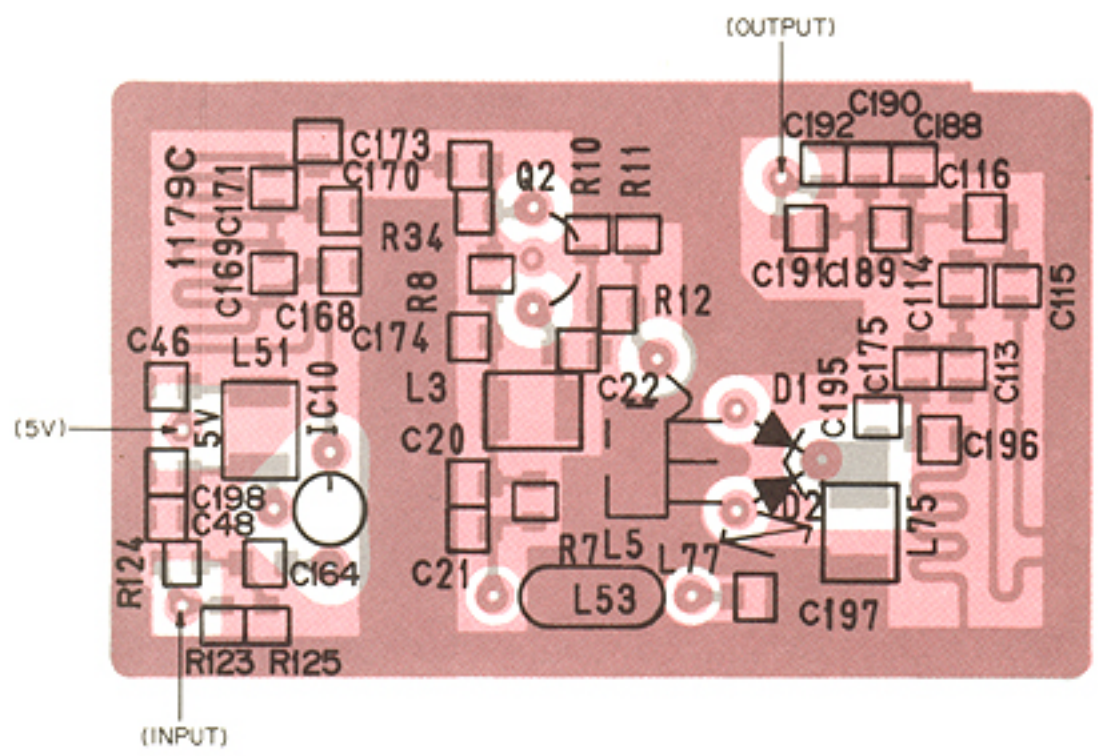
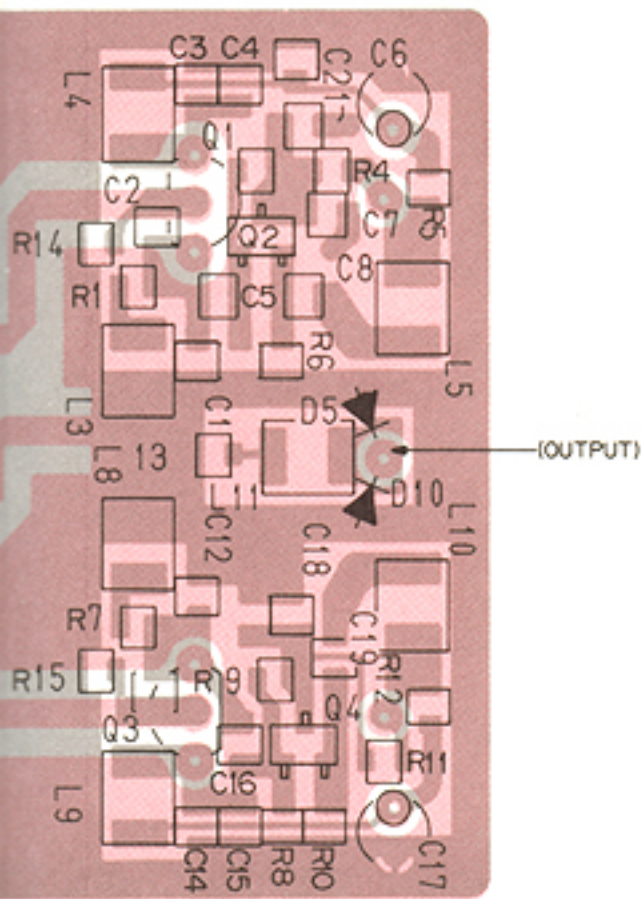
• VCO UNIT



• PLL UNIT



• DOUBLER UNIT

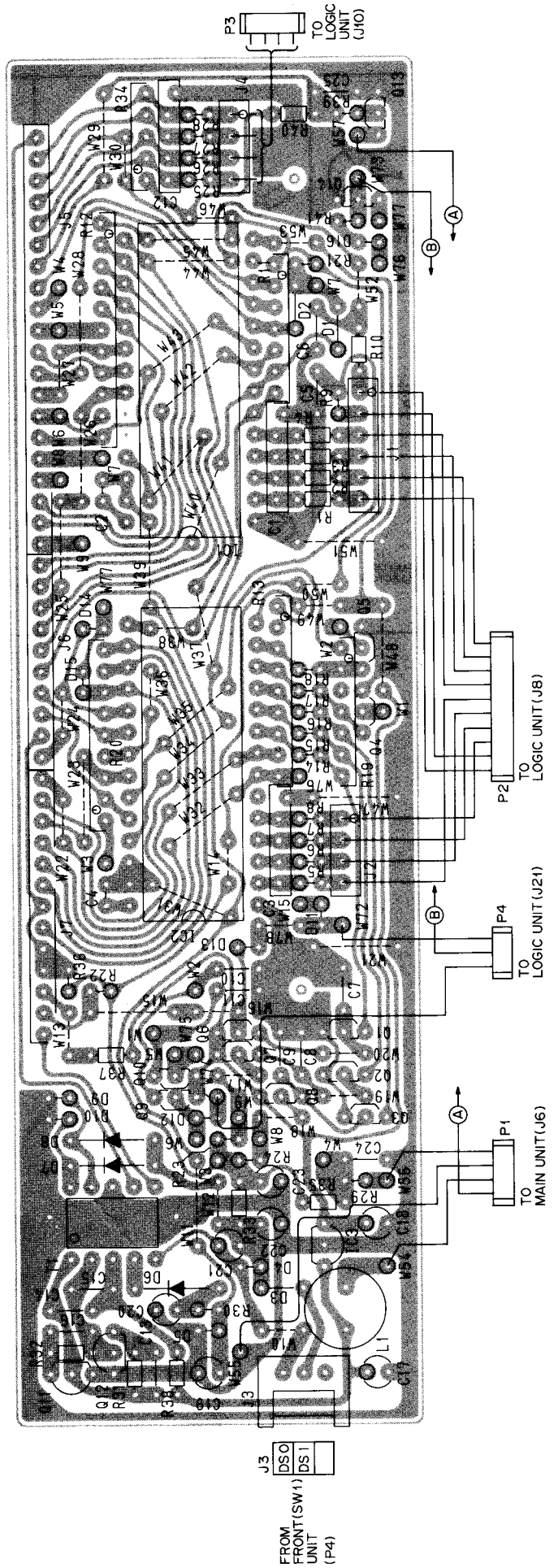
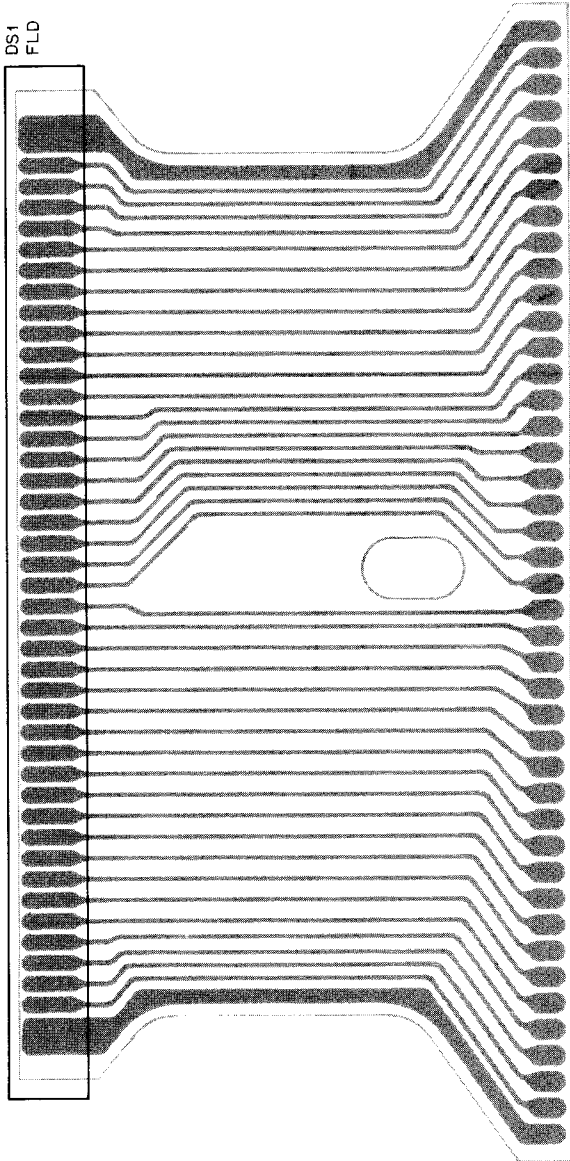


7-8 DISPLAY UNIT

IC		
IC1, IC2	μPD549C (DISPLAY CONTROLLER)	
IC3	TA78L005AP (3-TERMINAL 5V REGULATOR)	

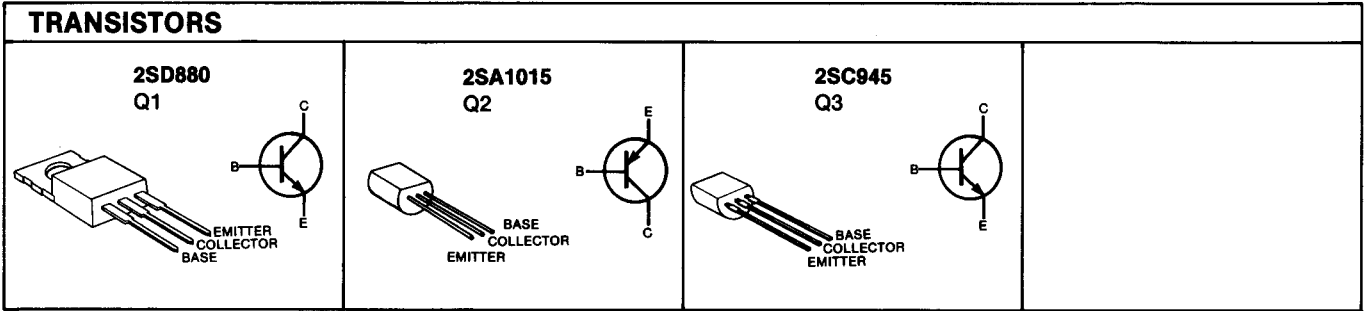
TRANSISTORS			
2SC2458 Q1, Q2, Q3, Q4, Q5 	2SA1345 Q6, Q7, Q8, Q9, Q10 	2SC2655 Q11, Q12 	2SA1348 Q13
2SC3399 Q14 			

• DISPLAY UNIT

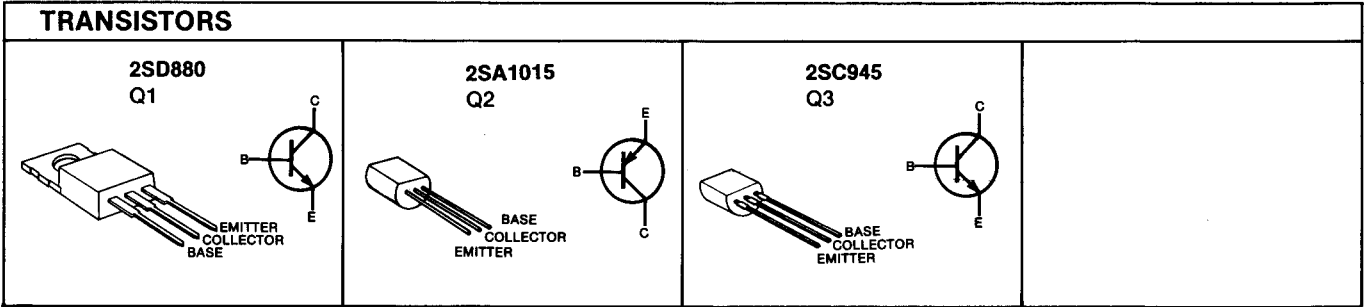


7-9 REG AND DL-REG UNITS

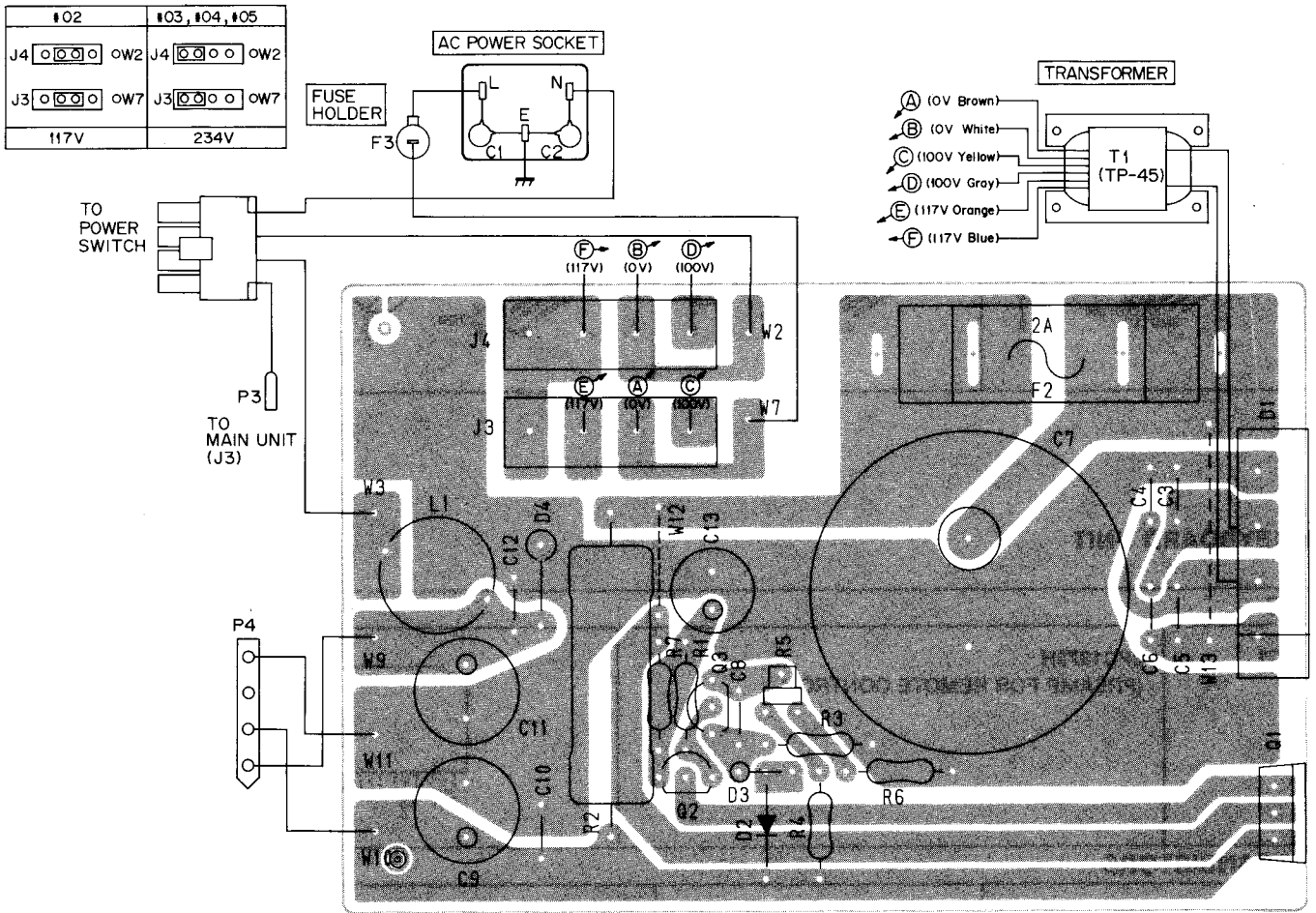
• REG UNIT



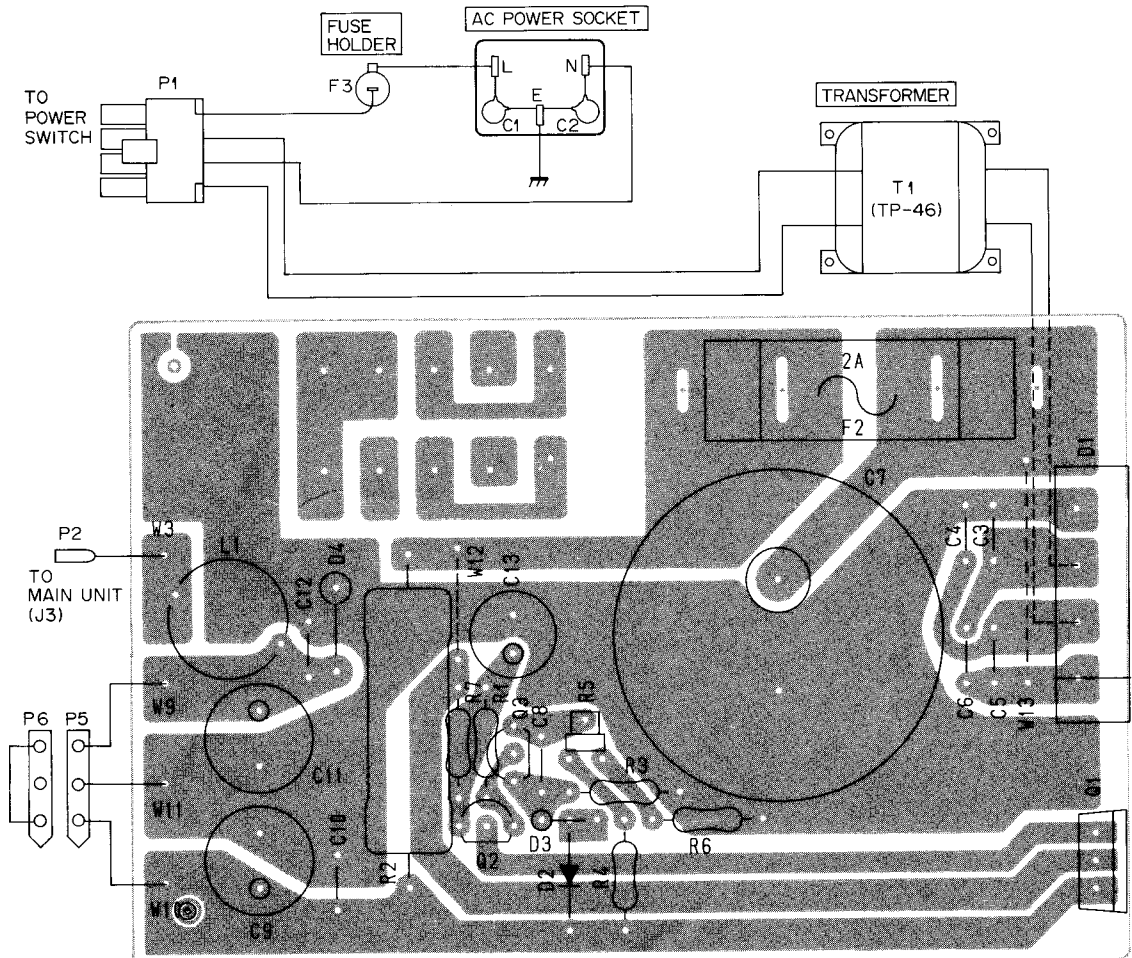
• DL-REG UNIT



• REG UNIT



• DL-REG UNIT



7-10 DC-DC, EF, AND KEYBOARD UNITS

• DC-DC UNIT

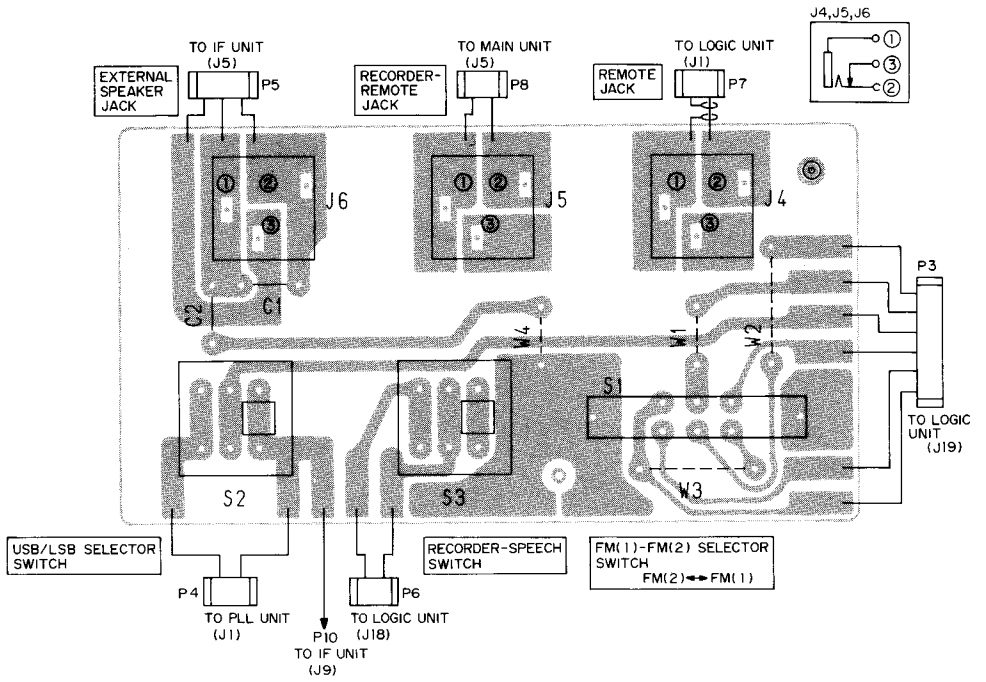
TRANSISTORS			
2SC2655 Q1, Q2	2SD468 Q3	2SB562 Q4, Q5	

• KEYBOARD UNIT

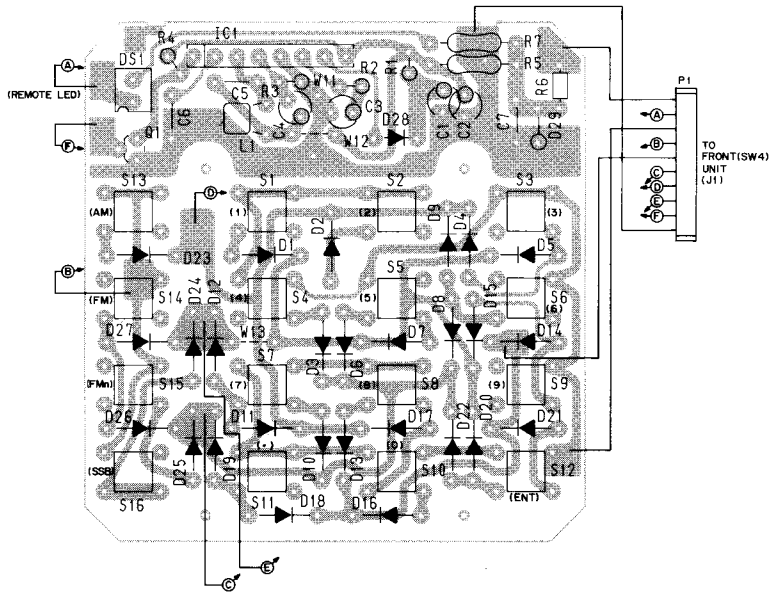
IC		
IC1	μPC1373H (PREAMP FOR REMOTE CONTROL)	

TRANSISTORS			
2SC3399 Q1			

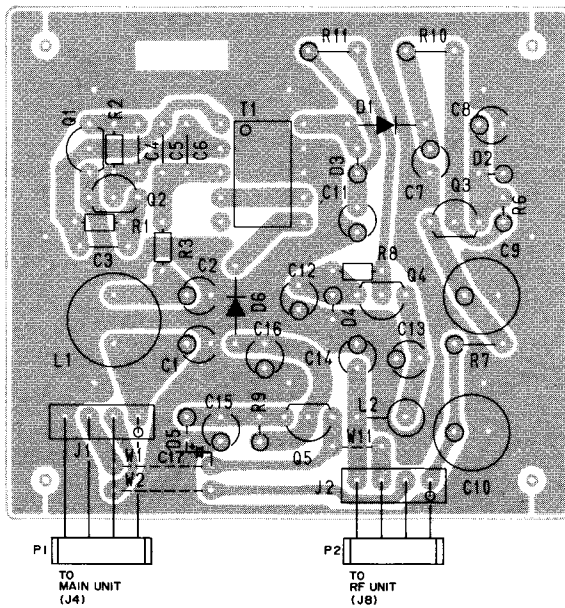
• EF UNIT



• KEYBOARD UNIT



• DC-DC UNIT



SECTION 8 PARTS LIST

[FRONT UNIT]

REF. NO.	DESCRIPTION	PART NO.	
IC1	IC	μPD4081BC	
Q1	Transistor	2SC3399	
Q2	Transistor	2SC3399	
D1	Diode	1SS133	
D2	Diode	1SS133	
D3	Diode	1SS133	
D4	Diode	1SS133	
D5	Diode	1SS133	
D6	Diode	1SS133	
D7	Diode	1SS133	
D8	Diode	1SS133	
D9	Diode	1SS133	
D10	Diode	1SS133	
D11	Zener	RD3.9E B2	
D12	Diode	1SS133	
D13	Diode	1SS133	
D14	Diode	1SS133	
D15	Diode	1SS133	
D16	Diode	1SS133	
D17	Diode	1SS133	
D18	Diode	1SS133	
D19	Diode	1SS133	
D20	Diode	1SS133	
D21	Diode	1SS133	
D22	Diode	1SS133	
D23	Diode	1SS133	
D24	Diode	1SS133	
D25	Diode	1SS133	
D26	Diode	1SS133	
D27	Diode	1SS133	
D28	Diode	1SS133	
D29	Diode	1SS133	
D30	Diode	1SS133	
D31	Diode	1SS133	
D32	Diode	1SS133	
R1	Resistor	150	R50XJ
R2	Resistor	220	ELR25
R3	Variable Resistor	K1214003W-1MB	
R4	Variable Resistor	K1611008TE-20KC	
R5	Variable Resistor	K162A00B8E-10KB × 2	
R6	Resistor	100	R25
R7	Resistor	100	R25
R8	Resistor	100k	R20
R9	Resistor	220k	R20
R10	Resistor	470k	R20
R11	Resistor	100k	R20
R12	Resistor	220k	R20
R13	Resistor	470k	R20
R14	Resistor	1M	R20
R15	Resistor	1M	R20
C1	Ceramic	0.0047	50V
C2	Ceramic	0.0047	50V

[FRONT UNIT]

REF. NO.	DESCRIPTION	PART NO.	
C3	Ceramic	0.001	50V
C4	Ceramic	0.001	50V
J1	Connector	TL-25P-10-V1	
J2	Connector	TL-25P-12-V1	
J3	Connector	TLB-P08H-B1	
J4	Connector	TL-25P-05-V1	
J5	Connector	HSJ0779-01A	
J6	Connector	HLJ0035-01-010	
J7	Connector	TLB-P04H-B1	
J8	Connector	TLB-P03H-B1	
P1	Connector	TL-25H-03-B1	
P2	Connector	TL-25H-10-B1	
P3	Connector	TL-25H-12-B1	
P4	Connector	TL-25H-03-B1	
P5	Connector	TL-25H-05-B1	
P6	Connector	TL-25H-08-B1	
P7	Connector	TL-25H-08-B1	
P8	Connector	TL-25H-06-B1	
P9	Connector	TL-25H-04-B1	
P10	Connector	TL-25H-03-B1	
P11	Connector	3191-04P1	
P12	Connector	TL-25H-04-B1	
P13	Connector	TL-25H-03-B1	
P14	Connector	TL-25H-03-B1	
P15	Connector	001T410	
DS1	Lamp	BQ044-32582A	
ME1	Meter	ME-18 C-01653	
S1	Switch	SPUT19168A (PRIO)	
S2	Switch	SPUT19168A (PROG)	
S3	Switch	SPUT19168A (MEMORY)	
S4	Switch	SPUT19168A (SEL-M)	
S5	Switch	SPUT19168A (MODE)	
S6	Switch	SPUT19168A (AUTO-M)	
S7	Switch	SPUT19168A (SEL-SET)	
S8	Switch	SPUT19168A (PROG-SET)	
S9	Switch	SPUT19168A (PRIO-SET)	
S10	Switch	SPUT19168A (CL)	
S11	Switch	SPUT19167A (REMOTE)	
S12	Switch	SPUT19167A (ATT)	
S13	Switch	SPUT19167A (NB)	
S14	Switch	SPUT19066A (DIMMER)	
S15	Switch	SPUT19066A (DIAL LOCK)	
S16	Switch	SPUT19168A (SPEECH)	
S17	Switch	SPUT19168A (M-SET)	
S18	Switch	SPUT19066A (1GHz)	
S19	Switch	SRBU14 (TUNING STEP)	
S20	Switch	SPPJ22114A (VSC)	
S21	Switch	SPPJ22114A (METER)	

[FRONT UNIT]

REF. NO.	DESCRIPTION	PART NO.
S22	Switch	SRBU16 (TS)
S23	Switch	SPPJ22588A (WRITE)
S24	Switch	SPPJ22588A (CLEAR)
S25	Switch	SRBU2C (Mch)
S26	Switch	SDDSA3159A (POWER)
EP1	Encoder	RABH10J01A
EP2	P.C. Board	B-998B
EP3	P.C. Board	B-999B
EP4	P.C. Board	B-1000B
EP5	P.C. Board	B-1001A
W1	Jumper	JPW-02A
W2	Jumper	JPW-02A
W3	Jumper	IPS-1041-4
W4	Jumper	JPW-02A
W5	Jumper	JPW-02A
W6	Jumper	JPW-02A
W7	Jumper	JPW-02A
W8	Jumper	JPW-02A
W9	Jumper	JPW-02A
W12	Wire	23/01/280/C01/W04
W13	Wire	23/02/280/C01/W02
W14	Wire	23/03/280/C01/W02
W15	Wire	23/01/250/C01/W02
W16	Wire	23/02/220/C01/W03
W17	Wire	23/03/220/C01/W03
W18	Wire	23/04/230/C01/W02
W19	Wire	23/05/230/C01/W02
W20	Wire	23/06/230/C01/W02
W21	Wire	23/07/270/C01/W02
W22	Wire	23/08/270/C01/W02
W23	Wire	23/09/230/C01/W02
W24	Wire	23/00/230/C01/W02
W25	Wire	23/01/230/C01/W02
W26	Wire	23/00/230/C01/W02
W27	Wire	23/09/230/C01/W02
W28	Wire	23/08/230/C01/W02
W29	Wire	23/07/230/C01/W02
W30	Wire	23/06/230/C01/W02
W31	Wire	23/05/230/C01/W02
W32	Wire	23/04/230/C01/W02
W33	Wire	23/03/230/C01/W02
W34	Wire	23/02/230/C01/W02
W35	Wire	23/01/230/C01/W02
W36	Wire	23/00/230/C01/W02
W37	Wire	23/02/230/C01/W02
W38	Wire	23/03/230/C01/W02
W39	Wire	23/01/090/C01/W02
W40	Wire	23/02/090/C01/W02
W41	Wire	23/03/090/C01/W02
W42	Wire	23/04/090/C01/W02
W43	Wire	23/05/090/C01/W02
W44	Wire	23/00/340/C01/C22
W45	Wire	23/01/340/C01/C22
W46	Wire	23/02/340/C01/C22
W47	Wire	23/03/340/C01/C22
W48	Wire	23/04/340/C01/C22
W49	Wire	23/05/340/C01/C22
W50	Wire	23/06/340/C01/C22
W51	Wire	23/07/340/C01/C22
W52	Wire	23/01/260/C01/W02

[FRONT UNIT]

REF. NO.	DESCRIPTION	PART NO.
W53	Wire	23/02/200/C01/W02
W54	Wire	23/03/260/C01/W02
W55	Wire	23/04/200/C01/W02
W56	Wire	23/05/260/C01/W02
W57	Wire	23/06/260/C01/W02
W58	Wire	23/07/260/C01/W02
W59	Wire	23/08/200/C01/W02
W60	Wire	23/01/170/C01/W02
W61	Wire	23/02/170/C01/W02
W62	Wire	23/03/170/C01/W02
W63	Wire	23/04/170/C01/W02
W64	Wire	23/05/170/C01/W02
W65	Wire	23/06/170/C01/W02
W66	Wire	23/01/350/C01/W02
W67	Wire	23/02/350/C01/W02
W68	Wire	51/02/350/C01A/W11A
W69		A A
W70	Wire	23/02/380/C01/W02
W71	Wire	23/03/380/C01/W02
W72	Wire	13/01/050/A07/W02
W73	Wire	13/01/050/A07/W02
W74	Wire	13/06/050/A07/W02
W75	Wire	13/06/050/A07/W02
W76	Wire	23/01/230/C01/C22
W77	Wire	23/02/230/C01/C22
W78	Wire	23/03/230/C01/C22
W79	Wire	23/04/230/C01/C22
W80	Wire	23/01/400/C01/W02
W81	Wire	23/03/400/C01/W02
W82	Wire	23/01/230/C01/W02
W83	Wire	23/02/230/C01/W02
W84	Wire	23/03/230/C01/W02
W85	Wire	23/09/300/C32G/W02
W86	Wire	23/09/130/W03/W02
W87	Wire	23/00/130/W02/W02
W88	Wire	23/04/110/C22/W02
W89	Wire	23/06/110/C22/W02
W90	Wire	23/07/110/C22/W02
W91	Wire	23/01/080/W02/W02
W92	Wire	23/02/080/W02/W02
W93	Wire	23/03/080/W02/W02

[MAIN UNIT]

REF. NO.	DESCRIPTION	PART NO.
IC1	IC	NJM4558D
IC2	IC	NJM4558D
IC3	IC	LA2600
IC4	IC	NJM4558D
IC5	IC	NJM4558D
IC6	IC	NJM7809A
IC7	IC	M5218L
IC8	IC	μPC1241H
IC9	DBM	DM-88XB
IC10	IC	NJM78L09A
Q1	FET	2SK30ATM Y
Q2	Transistor	2SC2785 FF/EF
Q3	Transistor	2SA1348
Q4	Transistor	2SA1348
Q5	Transistor	2SC3402
Q6	Transistor	2SC3399
Q7	Transistor	2SC3399
Q9	Transistor	2SC2785 FF/EF
Q10	Transistor	2SC2785 FF/EF
Q11	Transistor	2SA1048 Y/GR
Q13	Transistor	2SC945 P/K
Q14	Transistor	2SC383TM
Q15	FET	2SK241 GR
Q16	Transistor	2SC2026
Q17	Transistor	2SC3399
Q18	Transistor	2SC2785 FF/EF
Q19	Transistor	2SC3399
D1	Diode	1SS53
D2	Diode	1SS53
D3	Diode	1SS53
D5	Diode	1SS53
D7	Diode	1SS53
D8	Diode	1SS53
D9	Diode	1SS53
D10	Diode	1SS53
D11	Diode	1SS53
D12	Diode	1SS53
D14	Diode	1SS53
D15	Diode	1SS53
D16	Diode	1SS53
D17	Diode	1SS53
D18	Diode	1SS53
D19	Diode	1SS53
D20	Diode	1SS53
D21	Diode	1SS53
D22	Diode	1SS53
D23	Diode	1SS53
D24	Diode	1SS53
D25	Diode	1SS53
D26	Diode	1N4002
D27	Diode	1SS53
D28	Diode	1SS53
D29	Diode	1SS53
D30	Diode	1S953
X1	Crystal	CR160

[MAIN UNIT]

REF. NO.	DESCRIPTION	PART NO.
L1	Coil	LAL04NA 102K
L2	Coil	LB-184
L3	Coil	LS-127
L4	Coil	LS-127
L5	Coil	LS-127
L6	Coil	LS-230A
L7	Coil	LA-232
L8	Coil	252MX-1553A
L9	Coil	LAL02KR 101K
L10	Coil	LAL02KR 101K
L11	Coil	LA-232
L12	Coil	LA-232
L13	Coil	LA-189
L14	Coil	IPS-1041-4
R1	Resistor	10k R20
R2	Resistor	33k ELR20
R3	Resistor	3.3k ELR20
R4	Resistor	100k R20
R5	Resistor	1.5k R20
R6	Resistor	470k ELR20
R7	Resistor	15k R20
R8	Resistor	470k R20
R9	Resistor	15k ELR20
R10	Resistor	15k R20
R11	Resistor	470k ELR20
R12	Resistor	12k R20
R13	Resistor	10k ELR20
R14	Resistor	1k ELR20
R15	Resistor	8.2k ELR20
R16	Resistor	470k ELR20
R17	Resistor	10k R20
R18	Resistor	10k ELR20
R19	Resistor	330 R20
R20	Resistor	560k ELR20
R21	Resistor	560k ELR20
R22	Resistor	470k ELR20
R23	Resistor	470k ELR20
R24	Resistor	220k ELR20
R25	Resistor	1M ELR20
R26	Resistor	100 ELR20
R27	Resistor	68k R20
R28	Resistor	47k R20
R29	Trimmer	RHBOCS42BA 47K
R30	Resistor	47k R20
R31	Resistor	150k ELR20
R32	Trimmer	RHBOCN40YA 33K
R33	Resistor	2.2k ELR20
R34	Resistor	10k ELR20
R35	Resistor	4.7k R25
R36	Resistor	15k ELR20
R37	Trimmer	RHBOCS32UA 4.7K
R38	Resistor	4.7k ELR20
R39	Resistor	56k ELR20
R40	Resistor	100 R20
R41	Resistor	680k ELR20
R42	Resistor	12k R20
R43	Resistor	10k ELR20
R44	Resistor	100 ELR20
R45	Resistor	10k R20
R46	Resistor	330 R20
R47	Resistor	10k R20
R48	Resistor	100 ELR20

[MAIN UNIT]

REF. NO.	DESCRIPTION	PART NO.
R49	Resistor	10k ELR20
R50	Resistor	1k ELR20
R51	Trimmer	RHB0C1431A 10K
R52	Resistor	10M ERC14GJ
R53	Resistor	100 R20
R54	Trimmer	RHB0CS42BA 47K
R55	Resistor	10M ERC14GJ
R56	Resistor	1k ELR20
R57	Resistor	4.7k ELR20
R58	Resistor	10k ELR20
R59	Resistor	10k ELR20
R60	Resistor	10k ELR20
R61	Resistor	1.2M R20
R62	Resistor	10k ELR20
R63	Resistor	100k R20
R64	Resistor	33k ELR20
R65	Resistor	68k R20
R66	Trimmer	RH0651C15J1UA 100K
R67	Resistor	100k R25
R68	Resistor	100 ELR20
R69	Resistor	10k ELR20
R70	Resistor	10k ELR20
R71	Resistor	10k ELR20
R72	Resistor	3.3k R20
R73	Resistor	100k ELR20
R74	Resistor	100k R25
R76	Trimmer	RHB0CS32UA 4.7K
R77	Resistor	1k ELR20
R78	Resistor	47k ELR20
R79	Resistor	10k ELR20
R80	Resistor	1k ELR20
R81	Resistor	4.7k ELR20
R82	Resistor	1k ELR20
R83	Resistor	100 R20
R84	Resistor	47k ELR20
R85	Resistor	100 ELR20
R86	Resistor	100 ELR20
R87	Resistor	1k ELR20
R88	Resistor	100 ELR20
R89	Resistor	10k ELR20
R90	Resistor	10 R20
R92	Chip	15 MCR10
R93	Resistor	2.2k ELR20
R94	Resistor	220k R20
R95	Resistor	10k R20
R96	Resistor	470 R25
R97	Resistor	15k ELR20
R98	Resistor	8.2k R20
R99	Resistor	1k R20
R100	Resistor	15 ELR20
R101	Resistor	2.2 R25
R102	Chip	270 MCR10
R103	Chip	270 MCR10
R104	Resistor	10 ELR20
R106	Resistor	1.2k ELR20
R109	Resistor	1k R20
R110	Resistor	10k ELR20
R111	Resistor	8.2k R25
R112	Resistor	22k ELR20
R113	Resistor	4.7k R20
R114	Resistor	4.7k R20
R115	Resistor	15k ELR20
R116	Resistor	2.2k ELR20
R117	Resistor	10k ELR20

[MAIN UNIT]

REF. NO.	DESCRIPTION	PART NO.
R118	Thermistor	23D29
R119	Resistor	1M R20
R120	Resistor	4.7k R25
R121	Resistor	470 ELR20
R122	Resistor	1.5k ELR20
R123	Resistor	27k R20
R124	Trimmer	RH0651CS4J25A 47K
R125	Resistor	4.7k R20
R126	Resistor	100k ELR20
R127	Resistor	1k ELR20
R128	Resistor	33k ELR20
R129	Thermistor	33D28
R130	Resistor	3.3k ELR20
R131	Resistor	100k R25
R132	Thermistor	45D26NL-CM
R133	Chip	150 MCR10
R134	Resistor	22k R20
R135	Resistor	22k R20
C1	Electrolytic	0.47 50V RC2
C2	Electrolytic	47 10V
C3	Electrolytic	0.47 50V RC2
C4	Barrier Layer	0.047 25V
C5	Ceramic	0.0047 50V
C6	Mylar	0.01 50V
C7	Mylar	0.0047 50V
C8	Mylar	0.0047 50V
C9	Mylar	0.0047 50V
C10	Ceramic	220P 50V
C11	Mylar	0.01 50V
C12	Electrolytic	10 16V
C13	Electrolytic	10 16V RC2
C14	Ceramic	220P 50V
C15	Electrolytic	4.7 25V RC2
C16	Electrolytic	10 16V RC2
C17	Electrolytic	10 16V RC2
C18	Electrolytic	10 16V RC2
C19	Electrolytic	0.47 50V BP
C20	Electrolytic	0.47 50V RC2
C21	Barrier Layer	0.1 16V
C22	Electrolytic	0.47 50V RC2
C23	Mylar	0.001 50V
C24	Barrier Layer	0.1 16V
C26	Electrolytic	10 16V
C27	Ceramic	0.0047 50V
C28	Ceramic	18P 50V CH
C29	Dip Mica	47P 50V
C30	Dip Mica	39P 50V
C31	Ceramic	5P 50V
C32	Ceramic	0.001 50V
C33	Electrolytic	47 16V
C34	Electrolytic	10 16V RC2
C35	Ceramic	0.0047 50V
C36	Electrolytic	10 16V RC2
C37	Electrolytic	10 16V RC2
C38	Ceramic	0.0047 50V
C39	Electrolytic	0.47 50V
C40	Barrier Layer	0.1 16V
C41	Electrolytic	10 16V
C42	Electrolytic	4.7 25V
C43	Ceramic	0.5P 50V
C44	Ceramic	5P 50V
C45	Ceramic	0.5P 50V

[MAIN UNIT]

REF. NO.	DESCRIPTION	PART NO.	
C46	Ceramic	5P	50V
C47	Ceramic	3P	50V
C48	Ceramic	0.001	50V
C49	Ceramic	10P	50V
C51	Monolithic	15P	GRM40
C52	Ceramic	0.001	50V
C53	Monolithic	6P	GRM40
C54	Trimmer	CV38B0601	6P
C55	Monolithic	2P	GRM40
C57	Ceramic	0.001	50V
C58	Ceramic	5P	50V
C59	Barrier Layer	0.1	16V
C60	Electrolytic	10	16V RC2
C61	Barrier Layer	0.1	16V
C62	Barrier Layer	0.1	16V
C63	Electrolytic	0.47	50V RC2
C64	Ceramic	0.0047	50V
C65	Electrolytic	0.47	50V
C66	Mylar	0.0027	50V
C67	Electrolytic	0.47	50V RC2
C68	Mylar	0.1	50V
C69	Electrolytic	47	16V
C70	Electrolytic	220	10V
C71	Electrolytic	47	16V
C72	Electrolytic	470	16V
C73	Electrolytic	470	16V
C74	Barrier Layer	0.1	16V
C75	Ceramic	0.0047	50V
C76	Electrolytic	470	16V
C77	Electrolytic	47	10V
C78	Electrolytic	10	16V RC2
C79	Electrolytic	47	10V
C80	Monolithic	0.75P	GRM40
C83	Monolithic	2P	GRM40
C85	Trimmer	CV38D2001	20P
C87	Monolithic	10P	GRM40
C88	Ceramic	0.35P	50V
C89	Trimmer	CV38B0601	6P
C90	Ceramic	0.001	50V
C91	Ceramic	0.001	50V
C92	Ceramic	0.001	50V
C93	Ceramic	0.001	50V
C94	Monolithic	3P	GRM40
C95	Monolithic	3P	GRM40
C97	Monolithic	5P	GRM40
C98	Electrolytic	10	16V RC2
C99	Ceramic	0.001	50V
C100	Monolithic	0.5P	GRM40
C101	Monolithic	2P	GRM40
RL1	Relay	OMR-109F	
RL2	Relay	RZ-12	
RL3	Relay	G5Y-154P	9VDC
RL4	Relay	G5Y-154P	9VDC
J1	Connector	TL-25P-11-V1	
J2	Connector	TL-25P-10-V1	
J3	RT Pin	PT-01T-1.3B	
J4	Connector	TL-25P-04-V1	
J5	Connector	TL-25P-03-V1	
J6	Connector	TL-25P-04-V1	
J7	Connector	TL-25P-08-V1	

[MAIN UNIT]

REF. NO.	DESCRIPTION	PART NO.
J8	Connector	TL-25P-04-V1
J9	RT Pin	RT-01T-1.0B
J10	Connector	TL-25P-04-V1
J11	Connector	TMP-J01X-V1
J13	Connector	TL-25P-03-V1
J14	Connector	TMP-J01X-V1
P1	Connector	TL-25H-02-B1
EP1	P.C. Board	B-992D (43013)
W1	Wire	51/09/430/W13A/C01A 08 A A
W2		
W5	Jumper	IPS-1041-4
W6	Jumper	IPS-1041-4
W7	Jumper	IPS-1041-2
W8	Jumper	IPS-1041-2
W9	Jumper	IPS-1041-2
W10	Jumper	IPS-1041-4
W11	Jumper	IPS-1041-4
W12	Jumper	IPS-1041-4
W13	Jumper	IPS-1041-4
W14	Jumper	IPS-1041-4
W15	Jumper	IPS-1041-4
W16	Jumper	IPS-1041-2
W17	Jumper	IPS-1041-4
W18	Jumper	IPS-1041-4
W19	Jumper	IPS-1041-4
W20	Jumper	IPS-1041-2
W21	Jumper	IPS-1041-4
W22	Jumper	IPS-1041-4
W23	Jumper	IPS-1041-4
W24	Jumper	IPS-1041-4
W25	Jumper	IPS-1041-4
W26	Jumper	IPS-1041-4
W27	Jumper	IPS-1041-2
W29	Jumper	IPS-1041-2
W30	Jumper	IPS-1041-2
W31	Jumper	IPS-1041-4
W32	Jumper	IPS-1041-4
W33	Jumper	IPS-1041-4
W34	Jumper	IPS-1041-4
W35	Jumper	IPS-1041-4
W36	Jumper	IPS-1041-4
W37	Jumper	IPS-1041-2
W38	Jumper	IPS-1041-4
W39	Jumper	IPS-1041-4
W40	Jumper	IPS-1041-4
W41	Jumper	IPS-1041-4
W42	Jumper	IPS-1041-4
W43	Jumper	IPS-1041-4
W44	Jumper	IPS-1041-2
W45	Jumper	IPS-1041-2
W46	Jumper	IPS-1041-4
W47	Jumper	IPS-1041-2
W48	Jumper	IPS-1041-4
W49	Jumper	IPS-1041-4
W50	Jumper	IPS-1041-4
W51	Jumper	IPS-1041-4
W54	Jumper	IPS-1041-4

[MAIN UNIT]

REF. NO.	DESCRIPTION	PART NO.
W59	Wire	23/01/070/C21/C21
W60	Wire	23/01/090/C21/C21
W61	Wire	62/99/050/W99/W99
W62		

[HPF UNIT]

REF. NO.	DESCRIPTION	PART NO.
Q1	Transistor	2SC2367
L1	Coil	LA-233
L2	Coil	LA-232
R1	Chip Resistor	1k MCR10
R2	Resistor	6.8k R20
R4	Resistor	100 R20
C1	Ceramic	5P 50V
C2	Monolithic	18P GRM40
C3	Monolithic	5P GRM40
C4	Monolithic	6P GRM40
C5	Monolithic	4P GRM40
C6	Monolithic	2P GRM40
C7	Monolithic	3P GRM40
C8	Monolithic	8P GRM40
C9	Monolithic	0.001 GRM40
C10	Monolithic	4P GRM40
C11	Monolithic	3P GRM40
C12	Monolithic	8P GRM40
C13	Monolithic	2P GRM40
C14	Monolithic	7P GRM40
C15	Monolithic	2P GRM40
C16	Monolithic	2P GRM40
EP1	P.C. Board	B-1080B
W1	Wire	72/98/030/X98/X98

[DOUBLER UNIT]

REF. NO.	DESCRIPTION	PART NO.	
Q1	Transistor	2SC2367	
L1	Coil	LA-232	
L3	Coil	IPS-1041-4	
L4	Coil	IPS-1041-4	
R1	Resistor	1k	R20
R2	Resistor	6.8k	R20
R3	Resistor	100	ELR20
C1	Ceramic	3P	50V
C2	Ceramic	5P	50V
C3	Ceramic	1P	50V
C4	Trimmer	CV38A0301	3P
C5	Trimmer	CV38A0301	3P
C6	Trimmer	CV38A0301	3P
C7	Ceramic	0.001	50V
C8	Monolithic	0.001	GRM40
C9	Ceramic	0.35P	50V
EP1	P.C. Board	B-1249	
W1	Wire	72/98/030/X98/X98	

[IF UNIT]

REF. NO.	DESCRIPTION	PART NO.
IC1	IC	BA401
IC2	IC	TA7303P
IC3	IC	μPC1037H
IC4	IC	μPC577H
IC5	IC	μPC577H
IC6	IC	NJM4558D
Q1	Transistor	2SA1048 GR
Q2	Transistor	2SC2668 O
Q3	FET	2SK30ATM Y
Q4	Transistor	2SC1571 G
Q5	FET	3SK74 M
Q6	FET	3SK74 M
Q7	FET	3SK74 M
Q8	FET	2SK30ATM GR
Q9	Transistor	2SC2458 GR
Q10	Transistor	2SC2458 GR
Q11	Transistor	2SA1348
Q12	Transistor	2SC945 P
Q13	Transistor	2SC1571 G
Q14	Transistor	2SB562 C
Q15	Transistor	2SB562 C
Q16	Transistor	2SC3399
Q17	Transistor	2SA1348
Q18	Transistor	2SC2458 GR
Q19	Transistor	2SC2458 GR
Q20	Transistor	2SC1571 G
Q21	Transistor	2SC1815 GR/Y
Q22	Transistor	2SC1815 GR/Y
Q23	Transistor	2SC1571 G
Q24	Transistor	2SC1571 G
Q25	FET	2SK30ATM Y
Q26	Transistor	2SC2458 GR
Q27	Transistor	2SC3399
Q28	Transistor	2SA1348
Q29	Transistor	2SA1048 GR
Q30	FET	2SK30ATM Y
Q31	Transistor	2SC3402
D1	Diode	1SS53
D2	Diode	1SS53
D3	Diode	1SS53
D6	Diode	1SS53
D7	Diode	1SS53
D8	Diode	1SS53
D9	Diode	1SS53
D10	Diode	1SS53
D11	Diode	1SS53
D12	Diode	1SS53
D13	Diode	1SS53
D14	Diode	1SS53
D15	Diode	1SS53
D16	Diode	1SS53
D17	Diode	1K60
D18	Diode	1K60
D19	Diode	1SS53
D20	Diode	1SS53
D21	Diode	1SS53
D22	Diode	1SS53
D23	Diode	1SS53
D24	Diode	1SS53
D25	Diode	1SS53

[IF UNIT]

REF. NO.	DESCRIPTION	PART NO.
D26	Diode	1SS53
D27	Diode	1SS53
D28	Diode	1K60
D29	Diode	1SS53
D30	Diode	1K60
D31	Diode	1SS53
D32	Diode	1K60
D33	Diode	1K60
D34	Diode	1SS53
D35	Diode	1SS53
D36	Diode	1SS53
D37	Diode	1K60
D38	Diode	1K60
D39	Diode	1K60
D40	Diode	1K60
D41	Diode	1SS53
D42	Varicap	1S2208 (B)
D43	Diode	1SS53
D44	Diode	1SS53
D45	Diode	1SS53
D46	Diode	1SS53
D47	Diode	1SS133
D48	Diode	1SS133
D49	Diode	1SS53
D50	Diode	1SS53
F11	Ceramic	SFE10.7MMH-A
F12	Ceramic	SFE10.7MJ-A
F13	Monolithic	FL-75
F14	Ceramic	CFW455E
F15	Ceramic	CFW455HT
F16	Ceramic	CFW455K1
X1	Discriminator	CDA10.7MG8-A
X2	Crystal	CR114
X3	Discriminator	CFY455S
L1	Coil	LS-214
L3	Coil	LAL03NA 120K
L4	Coil	LS-164
L5	Coil	LS-129
L6	Coil	LS-129
L7	Coil	LS-238
L8	Coil	LS-240
L9	Coil	LAL04NA 101K
L10	Coil	LS-66A
L11	Coil	LS-16
L12	Coil	FL5H 102J
L13	Coil	LAL03NA 121K
L14	Coil	LS-164
L15	Coil	LS-294
L16	Coil	FL5H 102J
R1	Resistor	2.2k R20
R2	Resistor	100k R20
R3	Thermistor	45D26NL-CM
R4	Resistor	22k R20
R5	Resistor	220k ELR20
R6	Resistor	330 R20
R7	Resistor	4.7k R20

[IF UNIT]

REF. NO.	DESCRIPTION	PART NO.
R8	Resistor	330 ELR20
R9	Resistor	100 R20
R10	Resistor	330 ELR20
R11	Resistor	330 ELR20
R12	Resistor	47 R20
R13	Resistor	3.9k ELR20
R14	Resistor	1k R25
R15	Resistor	820k ELR20
R16	Resistor	47k ELR20
R17	Resistor	47k ELR20
R19	Resistor	47k R20
R20	Resistor	330k ELR20
R21	Resistor	1k R20
R22	Resistor	3.3k ELR20
R23	Resistor	4.7k R20
R24	Resistor	15k ELR20
R25	Resistor	5.6k R20
R26	Resistor	1M ELR20
R27	Resistor	47k R20
R28	Trimmer	RHB0CS32UA 4.7K
R29	Resistor	4.7k ELR20
R30	Resistor	3.3k R20
R31	Resistor	3.3k ELR20
R32	Resistor	3.3k ELR20
R33	Resistor	2.2k R20
R34	Resistor	2.2k R20
R35	Resistor	10k ELR20
R36	Resistor	100k ELR20
R37	Resistor	100k R20
R38	Resistor	470 ELR20
R39	Resistor	220 R20
R40	Resistor	2.2k R20
R41	Resistor	1k R20
R42	Resistor	2.2k R20
R43	Resistor	100 R20
R44	Resistor	3.3k ELR20
R45	Resistor	3.3k ELR20
R46	Resistor	3.3k ELR20
R47	Resistor	3.3k ELR20
R48	Resistor	3.3k ELR20
R49	Resistor	3.3k ELR20
R50	Resistor	330 R20
R51	Resistor	470 ELR20
R52	Resistor	330 R20
R53	Resistor	15k ELR20
R54	Resistor	330 R20
R55	Resistor	47k ELR20
R56	Resistor	47k ELR20
R57	Resistor	47k ELR20
R58	Resistor	100 R20
R59	Resistor	100 R20
R60	Resistor	4.7k ELR20
R61	Resistor	3.3k R20
R62	Resistor	3.3k ELR20
R63	Resistor	3.3k ELR20
R64	Resistor	3.3k ELR20
R65	Resistor	100k ELR20
R66	Resistor	10k R20
R67	Resistor	150 ELR20
R68	Resistor	100 R20
R69	Resistor	4.7k R20
R70	Resistor	10k R20
R71	Resistor	470 ELR20
R72	Resistor	100 R25

[IF UNIT]

REF. NO.	DESCRIPTION	PART NO.	
R73	Resistor	47k	R20
R74	Resistor	47k	ELR20
R75	Resistor	10k	ELR20
R76	Resistor	100	ELR20
R77	Resistor	10k	ELR20
R78	Resistor	100	R20
R79	Resistor	47k	R20
R80	Trimmer	RHB0CS211LA	470
R81	Resistor	330	ELR20
R82	Resistor	10k	ELR20
R83	Resistor	47k	ELR20
R84	Resistor	100k	ELR20
R85	Resistor	1k	R20
R86	Resistor	2.2k	ELR20
R87	Resistor	100	ELR20
R88	Resistor	1k	ELR20
R89	Resistor	100	R25
R90	Resistor	220k	ELR20
R91	Resistor	1k	R20
R92	Trimmer	RHB0C151XA	100K
R93	Resistor	4.7k	ELR20
R94	Resistor	10k	R20
R95	Resistor	10k	ELR20
R96	Resistor	10k	ELR20
R97	Resistor	10k	R20
R98	Resistor	150k	ELR20
R99	Resistor	82k	ELR20
R100	Resistor	39k	ELR20
R101	Resistor	33k	ELR20
R102	Resistor	22k	ELR20
R103	Resistor	22k	R20
R104	Resistor	15k	R20
R105	Resistor	4.7k	ELR20
R106	Resistor	4.7k	ELR20
R107	Resistor	4.7k	ELR20
R108	Resistor	10k	R20
R109	Resistor	10k	ELR20
R110	Resistor	4.7k	R20
R111	Resistor	4.7k	ELR20
R112	Resistor	100	R20
R113	Resistor	1.8M	R20
R114	Resistor	1k	ELR20
R115	Resistor	10k	ELR20
R116	Resistor	10k	R20
R117	Resistor	15k	R20
R118	Resistor	2.2k	ELR20
R119	Resistor	270k	ELR20
R120	Resistor	47k	ELR20
R121	Resistor	470k	ELR20
R122	Resistor	1k	R20
R123	Resistor	4.7k	ELR20
R124	Resistor	15k	R20
R125	Resistor	4.7k	ELR20
R126	Resistor	10k	ELR20
R127	Trimmer	RH0651CS4J25A	47K
R128	Resistor	12k	ELR20
R129	Resistor	6.8k	ELR20
R130	Resistor	82k	R20
R131	Resistor	220	R20
R132	Resistor	220	R20
R133	Resistor	6.8k	R20
R134	Resistor	10k	ELR20
R135	Resistor	47k	ELR20
R136	Resistor	4.7k	ELR20

[IF UNIT]

REF. NO.	DESCRIPTION	PART NO.	
R137	Resistor	1k	ELR20
R138	Resistor	100	ELR20
R139	Resistor	15k	ELR20
R140	Resistor	4.7k	ELR20
R141	Resistor	1k	ELR20
R142	Resistor	1.8M	R20
R143	Resistor	1.8M	ELR20
R144	Resistor	100k	R20
R145	Resistor	2.2k	ELR20
R146	Resistor	47k	ELR20
R147	Resistor	220	R20
R148	Resistor	68k	ELR20
R149	Resistor	220	ELR20
R150	Resistor	100	ELR20
R151	Resistor	15k	ELR20
R152	Resistor	100	R20
R153	Resistor	1.2k	R20
R154	Resistor	1k	R20
R155	Resistor	470	R20
R156	Resistor	100k	ELR20
R157	Resistor	10k	ELR20
R158	Trimmer	RH0651C15J1UA	100K
R159	Resistor	2.2k	R20
R160	Resistor	2.2k	ELR20
R161	Resistor	10k	ELR20
R162	Thermistor	23D29	
R163	Thermistor	23D29	
R164	Resistor	10k	ELR20
R165	Thermistor	33D28	
R166	Resistor	120k	R20
R167	Resistor	10k	ELR20
R168	Resistor	8.2k	CRB25FX
R169	Resistor	4.7k	CRB25FX
R170	Resistor	100	ELR20
R171	Trimmer	RHB0CN202A	330
R172	Resistor	4.7k	ELR20
R173	Resistor	100k	ELR20
R174	Resistor	2.2k	ELR20
R175	Thermistor	33D28	
R176	Resistor	1k	ELR20
C1	Ceramic	0.0047	50V
C2	Ceramic	0.0047	50V
C3	Ceramic	18P	50V CH
C6	Electrolytic	10	16V RC2
C7	Ceramic	0.0047	50V
C8	Ceramic	0.0047	50V
C9	Ceramic	0.0047	50V
C10	Ceramic	0.0047	50V
C11	Ceramic	0.0047	50V
C12	Ceramic	0.0047	50V
C13	Electrolytic	1	50V RC2
C14	Ceramic	4P	50V CH
C15	Mylar	0.01	50V
C16	Mylar	0.01	50V
C17	Barrier Layer	0.1	16V
C19	Electrolytic	0.47	50V BP
C20	Electrolytic	10	16V RC2
C21	Electrolytic	10	16V RC2
C22	Electrolytic	0.47	50V RC2
C23	Mylar	0.033	50V
C25	Ceramic	0.001	50V
C28	Barrier Layer	0.1	16V

[IF UNIT]

REF. NO.	DESCRIPTION	PART NO.		
C30	Electrolytic	2.2	50V	RC2
C31	Ceramic	0.0047	50V	
C32	Ceramic	4P	50V	
C33	Mylar	0.022	50V	
C34	Barrier Layer	0.1	16V	
C35	Ceramic	0.0047	50V	
C36	Electrolytic	10	16V	
C37	Ceramic	0.0047	50V	
C38	Ceramic	0.0047	50V	
C39	Ceramic	0.0047	50V	
C40	Barrier Layer	0.1	16V	
C41	Barrier Layer	0.1	16V	
C42	Barrier Layer	0.1	16V	
C43	Barrier Layer	0.1	16V	
C44	Barrier Layer	0.1	16V	
C45	Barrier Layer	0.1	16V	
C46	Barrier Layer	0.1	16V	
C47	Barrier Layer	0.1	16V	
C48	Barrier Layer	0.1	16V	
C49	Barrier Layer	0.1	16V	
C50	Mylar	0.001	50V	
C51	Barrier Layer	0.047	25V	
C52	Barrier Layer	0.047	25V	
C53	Barrier Layer	0.047	25V	
C54	Barrier Layer	0.047	25V	
C55	Barrier Layer	0.047	25V	
C56	Mylar	0.01	50V	
C57	Mylar	0.01	50V	
C58	Ceramic	2P	50V	
C59	Barrier Layer	0.047	25V	
C60	Barrier Layer	0.047	25V	
C61	Barrier Layer	0.1	16V	
C62	Electrolytic	47	16V	
C63	Ceramic	0.0047	50V	
C64	Barrier Layer	0.047	25V	
C65	Electrolytic	0.47	50V	
C66	Ceramic	68P	50V	
C67	Ceramic	22P	50V	
C69	Electrolytic	10	16V	
C70	Dip Mica	22P	50V	
C71	Trimmer	ECR-GA010D30	10P	
C72	Dip Mica	100P	50V	
C73	Dip Mica	200P	50V	
C74	Ceramic	0.0047	50V	
C75	Ceramic	47P	50V	
C76	Ceramic	100P	50V	
C77	Barrier Layer	0.1	16V	
C78	Barrier Layer	0.1	16V	
C79	Barrier Layer	0.1	16V	
C80	Barrier Layer	0.1	16V	
C81	Mylar	0.001	50V	
C82	Electrolytic	10	16V	RC2
C83	Barrier Layer	0.1	16V	
C84	Mylar	0.01	50V	
C85	Mylar	0.01	50V	
C86	Barrier Layer	0.1	16V	
C87	Ceramic	0.001	50V	
C88	Electrolytic	10	16V	RC2
C89	Electrolytic	2.2	50V	RC2
C90	Electrolytic	47	10V	
C91	Barrier Layer	0.1	16V	
C92	Ceramic	100P	50V	
C93	Ceramic	68P	50V	
C94	Barrier Layer	0.0047	25V	

[IF UNIT]

REF. NO.	DESCRIPTION	PART NO.		
C95	Ceramic	220P	50V	
C96	Ceramic	220P	50V	
C97	Ceramic	100P	50V	
C98	Ceramic	68P	50V	
C99	Barrier Layer	0.047	25V	
C100	Electrolytic	10	16V	
C101	Mylar	0.033	50V	
C102	Electrolytic	10	16V	
C103	Ceramic	120P	50V	
C104	Ceramic	120P	50V	
C105	Ceramic	0.0047	50V	
C106	Mylar	0.0047	50V	
C107	Mylar	0.0033	50V	
C108	Barrier Layer	0.1	16V	
C109	Barrier Layer	0.047	25V	
C110	Electrolytic	10	16V	RC2
C111	Barrier Layer	0.1	16V	
C112	Electrolytic	10	16V	RC2
C113	Barrier Layer	0.1	16V	
C114	Mylar	0.001	50V	
C115	Mylar	0.001	50V	
C116	Ceramic	220P	50V	
C117	Ceramic	220P	50V	
C118	Mylar	0.0047	50V	
C119	Monolithic	RPE131	CH 102 J 50	
C120	Styrene	510P	50V	
C121	Monolithic	RPE131	CH 102 J 50	
C122	Mylar	0.033	50V	
C123	Barrier Layer	0.1	16V	
C124	Ceramic	39P	50V	CH
C125	Ceramic	0.01	50V	
C126	Barrier Layer	0.1	16V	
C128	Ceramic	0.0047	50V	
C129	Electrolytic	10	16V	RC2
C130	Ceramic	200P	50V	UJ
C131	Mylar	0.001	50V	
C132	Electrolytic	10	16V	RC2
C133	Ceramic	18P	50V	CH
C134	Trimmer	ECR-GA010D30	10P	
C135	Electrolytic	1	50V	RC2
C137	Mylar	50 F2D	332 J	
C138	Mylar	50 F2D	103 J	
C139	Mylar	50 F2D	332 J	
C143	Electrolytic	0.47	50V	RC2
J1	Connector	TL-25P-03-V1		
J2	Connector	TL-25P-06-V1		
J3	Connector	TLB-P11H-B1		
J4	Connector	TL-25P-03-V1		
J5	Connector	TL-25P-04-V1		
J6	Connector	5045-03A		
J7	RT Pin	RT-01T-1.0B		
J8	Connector	IMSA-9201B-2-4T		
J9	RT Pin	RT-01T-1.0B		
P1	Connector	IMSA-9201B-HT		
P2	Connector	TL-25H-11-B1		
EP1	P.C. Board	B-991E		

[IF UNIT]

REF. NO.	DESCRIPTION	PART NO.
W1	Wire	51/99/100/W13A/W13A 08 A A
W2		
W4	Jumper	IPS-1041-4
W5	Jumper	IPS-1041-2
W6	Jumper	IPS-1041-4
W7	Jumper	JPW-02A
W8	Jumper	IPS-1041-2
W9	Jumper	IPS-1041-4
W10	Jumper	IPS-1041-2
W11	Jumper	IPS-1041-4
W12	Jumper	IPS-1041-4
W13	Jumper	IPS-1041-4
W14	Jumper	IPS-1041-2
W15	Jumper	IPS-1041-4
W17	Jumper	IPS-1041-4
W18	Jumper	IPS-1041-2
W19	Jumper	IPS-1041-2
W20	Jumper	IPS-1041-4
W21	Jumper	IPS-1041-4
W22	Jumper	IPS-1041-4
W23	Jumper	IPS-1041-4
W24	Jumper	IPS-1041-4
W25	Jumper	IPS-1041-2
W26	Jumper	IPS-1041-4
W27	Jumper	IPS-1041-4
W28	Jumper	IPS-1041-4
W29	Jumper	IPS-1041-4
W30	Jumper	IPS-1041-4
W31	Jumper	IPS-1041-4
W33	Jumper	IPS-1041-4
W34	Jumper	IPS-1041-4
W35	Jumper	IPS-1041-2
W36	Jumper	IPS-1041-4
W37	Jumper	IPS-1041-4
W38	Jumper	IPS-1041-4
W39	Wire	23/02/290/C01/C22
W40	Wire	23/01/290/C01/C22
W41	Wire	23/00/290/C01/C22
W42	Wire	51/05/290/C01A/C22A 08 A A
W43		
W44	Wire	23/05/290/C01/C22
W45	Wire	23/06/290/C01/C22
W46	Wire	23/07/290/C01/C22
W47	Wire	23/08/290/C01/C22
W48	Wire	23/03/290/C01/C22
W49	Wire	23/09/290/C01/C22
W50	Wire	23/05/140/C21/C21
W51	Wire	23/06/140/C21/C21
W52	Wire	23/07/080/C21/C21
W53	Jumper	IPS-1041-2
W54	Jumper	IPS-1041-4
W55	Jumper	IPS-1041-2
W56	Jumper	IPS-1041-2
W57	Jumper	IPS-1041-4
W58	Jumper	IPS-1041-2
W59	Jumper	IPS-1041-4

[RF UNIT]

REF. NO.	DESCRIPTION	PART NO.
IC1	IC	NJM4558D
IC2	IC	NJM4558D
IC3	IC	NJM4558D
IC4	IC	NJM4558D
IC5	IC	BA618
IC6	DBM	DM-88XA
IC7	DBM	DM-251E
Q1	FET	3SK121 Y
Q2	FET	3SK121 Y
Q3	FET	3SK121 Y
Q4	FET	3SK121 Y
Q5	Transistor	2SC3355
Q6	Transistor	2SC3355
Q7	Transistor	2SC3355
Q8	Transistor	2SC3355
Q9	FET	2SK241 GR
Q10	Transistor	2SC3399
Q11	Transistor	2SC3399
Q12	Transistor	2SC3399
Q13	Transistor	2SC3399
Q14	Transistor	2SC3399
Q15	Transistor	2SB562 C
Q16	Transistor	2SC3355
Q17	Transistor	2SC3355
Q18	FET	3SK101 GR/BL
Q19	Transistor	2SC2458 GR
Q20	FET	2SK30ATM Y
Q21	Transistor	2SC945 P
D1	Diode	1SS216
D2	Diode	1SS216
D3	Diode	MI204
D4	Diode	MI204
D5	Diode	1SS216
D6	Varicap	SVC321 A
D7	Varicap	SVC321 A
D8	Varicap	SVC321 A
D9	Varicap	SVC321 A
D10	Varicap	SVC321 A
D11	Diode	1SS216
D12	Diode	MI204
D13	Varicap	1SV88
D14	Varicap	1SV88
D15	Varicap	1SV88
D16	Zener	RD3.0E B2
D17	Varicap	1SV88
D18	Diode	MI204
D19	Diode	1SS216
D21	Varicap	1SV50E (1)
D22	Varicap	1SV50E (1)
D23	Varicap	1SV50E (1)
D24	Varicap	1SV50E (1)
D25	Diode	1SS216
D26	Varicap	1S2208 (B)
D27	Varicap	1S2208 (B)
D28	Varicap	1S2208 (B)
D29	Varicap	1S2208 (B)
D30	Varicap	1S2208 (B)
D31	Varicap	1S2208 (B)
D32	Varicap	1S2208 (B)
D33	Varicap	1S2208 (B)

[RF UNIT]

REF. NO.	DESCRIPTION	PART NO.
D34	Varicap	1S2208 (B)
D35	Diode	1SS216
D38	Diode	1SS216
D39	Diode	MI204
D41	Diode	1SS216
D43	Diode	1SS53
D44	Zener	RD12E B2
D45	Zener	RD12E B2
D46	Diode	1SS53
D47	Zener	RD12E B2
D48	Diode	1SS53
D49	Diode	1SS53
D50	Zener	RD12E B2
D51	Diode	1SS53
D52	Zener	RD8.2E B1
D53	Diode	1SS133
F11	Filter	EZF-B778BT13
L1	Coil	LAL03NA 100K
L2	Coil	LAL03NA 100K
L3	Coil	LAL03NA R33M
L4	Coil	LAL03NA 100K
L5	Coil	LAL02KR 100K
L6	Coil	LAL02KR 100K
L7	Coil	LAL02KR 100K
L8	Coil	LAL03NA 100K
L9	Coil	LAL03NA 100K
L10	Coil	LAL03NA 101K
L11	Coil	LAL03NA R56M
L12	Coil	LAL03NA R47M
L13	Coil	LA-247
L14	Coil	LA-247
L15	Coil	LAL03NA 100K
L16	Coil	LA-247
L17	Coil	LA-247
L18	Coil	LAL03NA R47M
L19	Coil	LAL03NA 101K
L20	Coil	LAL03NA 100K
L21	Coil	LAL02KR 100K
L22	Coil	LAL03NA R33M
L23	Coil	LA-237
L24	Coil	LA-234
L25	Coil	LA-234
L26	Coil	LAL03NA 1R0M
L27	Coil	LA-234
L28	Coil	LA-234
L29	Coil	LA-248
L30	Coil	LAL03NA 100K
L31	Coil	LAL02KR 100K
L32	Coil	LA-242
L33	Coil	LA-232
L34	Coil	LA-158
L35	Coil	LA-247
L36	Coil	LA-158
L37	Coil	LA-233
L38	Coil	LAL03NA 100K
L39	Coil	LA-234
L40	Coil	LA-235
L42	Coil	LA-233
L43	Coil	LA-234
L44	Coil	LAL02KR 4R7K

[RF UNIT]

REF. NO.	DESCRIPTION	PART NO.
L45	Coil	LAL02KR 4R7K
L46	Coil	LB-175
L47	Coil	LB-175
L48	Coil	LAL02KR 4R7K
L49	Coil	LAL02KR 4R7K
L50	Coil	LAL02KR 4R7K
L51	Coil	252HA-1965F
L52	Coil	LAL02KR 4R7K
L53	Coil	LAL03NA 100K
L54	Coil	LAL02KR 100K
L55	Coil	LA-234
L56	Coil	LR-85A
L57	Coil	LS-247
L58	Coil	LS-247
L59	Coil	LAL04NA 101K
L60	Coil	LAL03NA R33M
L61	Coil	LAL02TB 100K
L62	Coil	LAL03NA 100K
L63	Coil	LAL03NA 100K
L64	Coil	LAL03NA 100K
L65	Coil	LAL03NA 100K
L66	Coil	LAL02KR 100K
L67	Coil	LB-187
L68	Coil	LB-187
L69	Coil	LA-234
L70	Coil	LA-246
L71	Coil	LA-232
L72	Coil	LAL03NA 100K
L73	Coil	LA-233
L74	Coil	LA-233
L77	Coil	LAL03NA 100K
L78	Coil	LA-232
L79	Coil	LA-232
L80	Coil	LA-232
L81	Coil	LAL03NA 3R3K
R1	Resistor	820 ELR20
R2	Resistor	100 ELR20
R3	Resistor	47 R20
R4	Resistor	100 ELR20
R5	Resistor	68 ELR20
R6	Resistor	68 ELR20
R7	Resistor	180 ELR20
R8	Resistor	180 ELR20
R9	Resistor	100 R20
R10	Resistor	820 ELR20
R11	Resistor	390 ELR20
R12	Resistor	100 R20
R13	Resistor	47k R20
R14	Resistor	47k R20
R15	Resistor	1k R20
R16	Resistor	120 ELR20
R17	Resistor	47k R20
R18	Resistor	470k ELR20
R19	Resistor	390 ELR20
R20	Resistor	100 R20
R21	Resistor	47k R20
R22	Resistor	47k R20
R23	Resistor	1k R20
R24	Resistor	120 ELR20
R25	Resistor	47k R20
R26	Resistor	470k ELR20
R27	Resistor	100 R20

[RF UNIT]

REF. NO.	DESCRIPTION	PART NO.	
R29	Resistor	47k	R20
R31	Resistor	120	ELR20
R32	Resistor	47k	R20
R33	Resistor	470k	ELR20
R34	Resistor	47k	R20
R35	Resistor	47k	R20
R36	Resistor	100k	ELR20
R37	Resistor	470k	R20
R38	Resistor	120	R20
R39	Resistor	47k	R20
R40	Chip	6.8k	MCR10
R41	Chip	100	MCR10
R42	Chip	100	MCR10
R43	Chip	6.8k	MCR10
R44	Chip	100	MCR10
R45	Chip	1k	MCR10
R46	Resistor	6.8k	ELR20
R47	Resistor	150	ELR20
R48	Resistor	100	ELR20
R49	Chip	47k	MCR10
R50	Chip	47k	MCR10
R51	Resistor	100k	R20
R52	Chip	270	MCR10
R54	Chip	15	MCR10
R55	Resistor	6.8k	ELR20
R56	Resistor	150	ELR20
R57	Resistor	100	ELR20
R58	Chip	1k	MCR10
R60	Resistor	100	R20
R62	Chip	2.2k	MCR10
R64	Resistor	100	R20
R66	Trimmer	RHB0C151XA	100K
R67	Resistor	100k	R20
R68	Trimmer	RHB0CN40YA	33K
R69	Resistor	47k	ELR20
R70	Resistor	10k	ELR20
R71	Trimmer	RHB0C1431A	10K
R72	Resistor	4.7k	ELR20
R73	Trimmer	RHB0CS511A	470K
R74	Resistor	220k	ELR20
R75	Resistor	10k	R20
R76	Resistor	15k	ELR20
R77	Trimmer	RHB0CS511A	470K
R78	Resistor	120k	ELR20
R79	Trimmer	RHB0CS511A	470K
R80	Resistor	100k	ELR20
R81	Resistor	47k	ELR20
R82	Resistor	47k	ELR20
R83	Resistor	10k	ELR20
R84	Resistor	27k	ELR20
R85	Resistor	470k	ELR20
R86	Resistor	27k	ELR20
R87	Resistor	56k	ELR20
R88	Resistor	18k	ELR20
R89	Trimmer	RHB0CJ401A	22K
R90	Trimmer	RHB0CN40YA	33K
R91	Resistor	2.2k	ELR20
R92	Resistor	27k	ELR20
R93	Resistor	56k	ELR20
R95	Resistor	220k	ELR20
R96	Resistor	47k	ELR20
R97	Resistor	180k	ELR20
R98	Resistor	100k	ELR20
R99	Resistor	100k	ELR20

[RF UNIT]

REF. NO.	DESCRIPTION	PART NO.	
R100	Resistor	82k	ELR20
R101	Resistor	33k	ELR20
R102	Resistor	68k	ELR20
R103	Resistor	10k	ELR20
R104	Trimmer	RH0651C15J1UA	100K
R105	Trimmer	RHB0C1431A	10K
R106	Resistor	10k	ELR20
R107	Array	RMX-6	10k
R108	Resistor	47k	ELR20
R109	Resistor	47k	ELR20
R110	Resistor	10k	ELR20
R111	Resistor	100k	ELR20
R112	Resistor	10k	ELR20
R113	Resistor	10k	ELR20
R114	Resistor	10	ELR20
R115	Resistor	10	R25
R116	Chip	270	MCR10
R118	Chip	15	MCR10
R119	Chip	100	MCR10
R120	Chip	6.8k	MCR10
R121	Chip	100	MCR10
R122	Chip	100	MCR10
R123	Chip	6.8k	MCR10
R124	Resistor	470k	ELR20
R125	Resistor	100k	R20
R126	Resistor	470	ELR20
R127	Resistor	470	ELR20
R128	Resistor	1k	ELR20
R129	Resistor	330k	R20
R130	Resistor	2.2k	ELR20
R131	Resistor	220k	ELR20
R132	Resistor	150	ELR20
R133	Resistor	220	R20
R135	Resistor	22	R20
R136	Resistor	22	ELR20
R137	Resistor	10k	R20
R138	Resistor	10k	R25
R139	Resistor	10k	R25
R140	Resistor	10k	R25
R141	Resistor	100	R20
R142	Resistor	100	ELR20
R143	Resistor	100	ELR20
R144	Resistor	100	R20
R145	Resistor	1M	ELR20
R146	Resistor	220	ELR20
R147	Resistor	15k	ELR20
R148	Resistor	3.3k	ELR20
R149	Resistor	1k	ELR20
R150	Resistor	100	CRB25FX
R152	Resistor	1k	ELR20
R153	Resistor	100	CRB25FX
R154	Resistor	470k	ELR20
R156	Resistor	22k	ELR20
R157	Resistor	330k	ELR20
R158	Chip	1k	MCR10
R159	Chip	1k	MCR10
R160	Chip	1k	MCR10
R161	Chip	10k	MCR10
R162	Chip	10k	MCR10
C1	Monolithic	3P	GRM40
C2	Monolithic	2P	GRM40
C3	Monolithic	2P	GRM40

[RF UNIT]

REF. NO.	DESCRIPTION	PART NO.	
C4	Monolithic	100P	GRM40
C5	Monolithic	0.001	GRM40
C6	Monolithic	100P	GRM40
C7	Ceramic	0.001	50V
C8	Ceramic	2P	50V
C9	Ceramic	0.001	50V
C10	Ceramic	0.001	50V
C11	Ceramic	0.001	50V
C12	Ceramic	0.001	50V
C13	Ceramic	0.001	50V
C14	Ceramic	0.001	50V
C15	Ceramic	0.001	50V
C16	Ceramic	0.001	50V
C17	Ceramic	0.001	50V
C18	Ceramic	0.0047	50V
C19	Ceramic	0.001	50V
C20	Ceramic	8P	50V
C21	Ceramic	0.001	50V
C22	Ceramic	0.001	50V
C23	Ceramic	0.001	50V
C24	Ceramic	33P	50V
C25	Ceramic	0.001	50V
C26	Ceramic	0.001	50V
C27	Ceramic	0.001	50V
C28	Ceramic	0.001	50V
C29	Ceramic	0.001	50V
C30	Ceramic	3P	50V
C31	Ceramic	0.001	50V
C32	Ceramic	0.001	50V
C33	Ceramic	0.001	50V
C34	Ceramic	100P	50V
C35	Ceramic	10P	50V
C36	Ceramic	0.001	50V
C37	Ceramic	0.001	50V
C38	Ceramic	0.001	50V
C39	Ceramic	0.001	50V
C40	Ceramic	2P	50V
C41	Ceramic	0.001	50V
C42	Ceramic	0.001	50V
C43	Ceramic	0.001	50V
C44	Ceramic	12P	50V
C45	Ceramic	470P	50V
C46	Ceramic	0.001	50V
C47	Monolithic	0.001	GRM40
C48	Monolithic	470P	GRM40
C49	Ceramic	0.001	50V
C50	Monolithic	2P	GRM40
C51	Ceramic	18P	50V
C52	Monolithic	12P	GRM40
C53	Monolithic	4P	GRM40
C54	Monolithic	3P	GRM40
C55	Monolithic	5P	GRM40
C56	Monolithic	0.001	GRM40
C57	Monolithic	3P	GRM40
C58	Monolithic	120P	GRM40
C59	Monolithic	0.5P	GRM40
C60	Ceramic	0.001	50V
C61	Ceramic	12P	50V
C62	Monolithic	2P	GRM40
C63	Monolithic	0.001	GRM40
C64	Monolithic	0.001	GRM40
C65	Ceramic	0.001	50V
C66	Ceramic	47P	50V
C67	Monolithic	47P	GRM40

[RF UNIT]

REF. NO.	DESCRIPTION	PART NO.	
C68	Ceramic	0.001	50V
C69	Ceramic	120P	50V
C70	Monolithic	0.001	GRM40
C71	Monolithic	47P	GRM40
C72	Ceramic	22P	50V
C73	Ceramic	0.001	50V
C74	Ceramic	0.001	50V
C75	Ceramic	120P	50V
C76	Monolithic	0.001	GRM40
C77	Monolithic	1P	GRM40
C78	Monolithic	3P	GRM40
C79	Monolithic	2P	GRM40 CK
C81	Monolithic	5P	GRM40
C82	Monolithic	1P	GRM40
C83	Monolithic	0.001	GRM40
C84	Monolithic	0.001	GRM40
C85	Monolithic	4P	GRM40
C86	Monolithic	10P	GRM40
C87	Ceramic	47P	50V
C88	Monolithic	12P	GRM40 CH
C89	Monolithic	GRM40	SL 1R5C 50PT
C90	Monolithic	10P	GRM40
C91	Monolithic	0.001	GRM40
C92	Monolithic	100P	GRM40
C93	Array	B8ZC0111-32N	0.0082 × 7
C94	Array	B8ZC0111-32N	0.0082 × 7
C95	Ceramic	0.001	50V
C96	Mylar	0.022	50V
C97	Electrolytic	4.7	25V RC2
C98	Monolithic	120P	GRM40
C99	Monolithic	150P	GRM40
C100	Monolithic	3P	GRM40
C101	Monolithic	0.001	GRM40
C102	Monolithic	0.001	GRM40
C103	Monolithic	8P	GRM40
C104	Monolithic	1P	GRM40
C105	Monolithic	5P	GRM40
C106	Mylar	0.001	50V
C107	Barrier Layer	UAT05X	103K-L05AC
C108	Ceramic	0.0047	50V
C109	Ceramic	0.0047	50V
C110	Ceramic	0.0047	50V
C111	Monolithic	0.001	GRM40
C112	Ceramic	0.0047	50V
C113	Ceramic	0.001	50V
C114	Barrier Layer	RAU05SA	221J-L05AC
C115	Ceramic	68P	50V
C116	Barrier Layer	RAU05SA	221J-L05AC
C117	Barrier Layer	RAU05SA	181K-L05AC
C118	Barrier Layer	RAU05SA	181K-L05AC
C119	Barrier Layer	RAU05SA	181K-L05AC
C120	Barrier Layer	RAU05SA	181K-L05AC
C121	Electrolytic	10	16V RC2
C122	Ceramic	0.001	50V
C123	Feed Through	TF240-602	SS332Z 50V
C124	Feed Through	TF240-602	SS332Z 50V
C125	Feed Through	TF240-602	SS332Z 50V
C126	Feed Through	TF240-602	SS332Z 50V
C127	Feed Through	TF240-602	SS332Z 50V
C128	Feed Through	TF240-602	SS332Z 50V
C129	Feed Through	TF240-602	SS332Z 50V
C130	Feed Through	TF240-602	SS332Z 50V

[RF UNIT]

REF. NO.	DESCRIPTION	PART NO.
C131	Monolithic	120P GRM40
C132	Monolithic	120P GRM40
C133	Ceramic	15P 50V
C134	Monolithic	3P GRM40
C135	Monolithic	120P GRM40
C136	Monolithic	120P GRM40
C137	Monolithic	3P GRM40
C138	Monolithic	120P GRM40
C139	Monolithic	6P GRM40
C140	Monolithic	4P GRM40
C141	Monolithic	5P GRM40
C142	Monolithic	15P GRM40
C143	Monolithic	15P GRM40
C144	Monolithic	4P GRM40
C145	Monolithic	1P GRM40
C146	Monolithic	4P GRM40
C147	Monolithic	10P GRM40
C148	Monolithic	6P GRM40
C149	Monolithic	5P GRM40
C150	Ceramic	47P 50V
C151	Monolithic	6P GRM40
C152	Feed Through	TF240-602 SS332Z 50V
C153	Feed Through	TF240-602 SS332Z 50V
C154	Feed Through	TF240-602 SS332Z 50V
C155	Monolithic	5P GRM40 CH
C156	Monolithic	4P GRM40 CH
RL1	Relay	G5Y-154P 9VDC
RL2	Relay	G5Y-154P 9VDC
J4	Connector	TLB-P03H-B1
J5	Connector	TMP-J01X-V1
J6	Connector	TL-25P-06-V1
J7	Connector	TL-25P-03-V1
J8	Connector	TL-25P-04-V1
J9	Connector	TLB-P03H-B1
P1	Connector	TL-25H-03-B1
P2	Connector	TMP-P01X-A1
P3	Connector	TMP-P01X-A1
P4	Connector	TMP-P01X-A1
EP1	P.C. Board	B-990F
EP2	P.C. Board	B-1180B
EP3	P.C. Board	B-1181C
EP4	P.C. Board	B-1182B
EP5	P.C. Board	B-1201A
EP6	P.C. Board	B-1202B
W1	Wire	65/00/070/C01A/C22A
W2		00 A A
W3	Wire	23/07/070/C01/C22
W6	Jumper	JPW-02A
W7	Jumper	JPW-02A
W8	Jumper	JPW-02A
W9	Jumper	JPW-02A
W10	Jumper	JPW-02A
W11	Jumper	JPW-02A
W12	Jumper	JPW-02A

[RF UNIT]

REF. NO.	DESCRIPTION	PART NO.
W13	Jumper	JPW-02A
W14	Jumper	JPW-02A
W15	Jumper	JPW-02A
W16	Jumper	JPW-02A
W17	Jumper	JPW-02A
W18	Jumper	JPW-02A
W19	Jumper	JPW-02A
W20	Jumper	JPW-02A
W21	Jumper	JPW-02A
W22	Jumper	JPW-02A
W23	Jumper	JPW-02A
W24	Jumper	JPW-02A
W26	Wire	23/03/080/C22/W02
W27	Wire	23/02/110/C22/W02
W28	Wire	23/01/120/C22/W02
W29	Wire	62/99/065/C31/99
W30		08 99
W31	Wire	62/99/125/C31/99
W32		08 99
W33	Wire	72/98/030/X98/X98
W34	Wire	72/98/030/X98/X98
W35	Wire	72/98/030/X98/X98
W36	Wire	72/98/030/X98/X98
W37	Wire	72/98/030/X98/X98
W38	Wire	68/99/120/C31/W99
W39		08 99

[LOGIC UNIT]

REF. NO.	DESCRIPTION	PART NO.
IC1	IC	TA78L005AP
IC2	IC	μPD4069UBC
IC3	IC	SN74LS123
IC4	IC	μPD4081BC
IC5	IC	μPD4011BC
IC6	IC	μPD4081BC
IC7	IC	HD63A01V1D26P
IC8	IC	μPD446C
IC9	IC	μPD82C43C
IC10	IC	μPD82C43C
IC11	IC	BA618
IC12	IC	μPD4081BC
IC13	IC	μPD4081BC
IC14	IC	μPD4069UBC
IC15	IC	μPD4081BC
IC16	IC	μPD4528BC
Q1	Transistor	2SC2458 GR
Q2	Transistor	2SC2458 GR
Q3	Transistor	2SC2458 GR
Q4	Transistor	2SA1348
Q5	Transistor	2SC3402
Q6	Transistor	2SC3402
Q7	Transistor	2SC2458 GR
Q8	Transistor	2SC2458 GR
Q9	Transistor	2SC2458 GR
Q10	Transistor	2SC2458 GR
Q11	Transistor	2SC2458 GR
Q12	Transistor	2SA1348
Q13	Transistor	2SA1348
Q14	Transistor	2SA1348
Q15	Transistor	2SA1348
Q16	Transistor	2SC3399
Q17	Transistor	2SC2458 GR
Q18	Transistor	2SC2458 GR
Q19	Transistor	2SC3399
Q20	Transistor	2SC3399
Q21	FET	2SK30ATM Y
Q22	Transistor	2SA1348
D1	Diode	1SS133
D2	Diode	1SS133
D3	Diode	1SS133
D4	Diode	1SS133
D5	Diode	1SS133
D6	Diode	1SS133
D7	Diode	1SS133
D8	Diode	1SS133
D9	Diode	1S953
D10	Diode	1S953
D11	Diode	1SS133
D12	Diode	1SS133
D13	Diode	1SS133
D14	Diode	1SS133
D15	Diode	1SS133
D16	Diode	1SS133
D17	Diode	1SS133
D18	Diode	1SS133
D19	Diode	1SS133
D20	Diode	1SS133
D21	Diode	1SS133
D22	Diode	1SS133

[LOGIC UNIT]

REF. NO.	DESCRIPTION	PART NO.
D23	Diode	1SS133
D24	Diode	1SS133
D25	Diode	1SS133
D26	Diode	1SS133
D27	Diode	1SS133
D28	Diode	1SS133
D29	Diode	1SS133
D30	Diode	1SS133
D31	Diode	1SS133
D32	Diode	1SS133
D33	Diode	1SS133
D34	Diode	1SS133
D35	Diode	1SS133
D36	Diode	1SS133
D37	Diode	1SS133
D38	Diode	1SS133
D39	Diode	1SS133
D40	Diode	1SS133
D41	Diode	1SS133
D42	Diode	1SS133
D43	Diode	1SS133
D44	Diode	1SS133
D45	Diode	1SS133
D46	Diode	1SS133
D47	Diode	1SS133
D48	Diode	1SS133
D49	Diode	1SS133
D50	Diode	1SS133
D51	Diode	1SS133
D52	Diode	1SS133
D53	Diode	1SS133
D54	Diode	1SS133
D55	Diode	1SS133
D56	Diode	1SS133
D57	Diode	1SS133
D58	Diode	1SS133
D59	Diode	1SS133
D60	Zener	RD5.1E B2
D61	Zener	RD3.0E B2
D62	Diode	1S953
D64	Diode	1SS133
D65	Diode	1SS133
D66	Diode	1SS133
D67	Diode	1SS133
D68	Diode	(#04, #05, #06 Only) 1SS133 (#04, #05, #06 Only)
X1	Ceramic Resonator	CSA4.91MG
L1	Coil	LAL04NA 102K
L2	Coil	LAL04NA 102K
L3	Coil	LAL04NA 102K
L4	Coil	LAL04NA 102K
L5	Coil	LAL04NA 102K
L6	Coil	LAL04NA 102K
R1	Resistor	270 R20
R2	Resistor	1.5k ELR20
R3	Resistor	47k R25
R4	Resistor	1M ELR20

[LOGIC UNIT]

REF. NO.	DESCRIPTION	PART NO.	
R5	Resistor	47k	ELR20
R6	Resistor	470k	R20
R7	Resistor	47k	R20
R8	Resistor	10	R50X
R9	Resistor	100k	R20
R10	Resistor	47k	ELR20
R11	Resistor	47k	ELR20
R12	Resistor	47k	R20
R13	Resistor	10k	R20
R14	Resistor	47k	ELR20
R15	Array	RMX-4	10k
R16	Resistor	2.2M	ELR20
R17	Resistor	2.2M	ELR20
R18	Resistor	270k	R20
R19	Resistor	150k	ELR20
R20	Resistor	6.8k	ELR20
R21	Resistor	4.7k	ELR20
R22	Resistor	47k	ELR20
R23	Resistor	10k	R20
R24	Resistor	10k	ELR20
R25	Resistor	47k	R20
R26	Resistor	47k	ELR20
R27	Resistor	1.5M	ELR20
R28	Resistor	560k	R20
R29	Resistor	10k	R20
R30	Resistor	680k	R20
R31	Resistor	4.7k	ELR20
R32	Resistor	47k	ELR20
R33	Resistor	1M	R20
R34	Resistor	47k	ELR20
R35	Resistor	47k	R20
R36	Resistor	47k	R25
R37	Resistor	47k	R25
R38	Resistor	47k	R20
R39	Array	RMX-8	10k
R40	Resistor	10k	R20
R41	Resistor	4.7k	R20
R42	Resistor	47k	R20
R43	Array	SIP-11P-A1	
R44	Resistor	10k	R20
R45	Resistor	10k	R20
R46	Resistor	10k	R20
R47	Resistor	10k	R20
R48	Resistor	10k	R20
R49	Resistor	1k	R20
R50	Resistor	1k	R20
R51	Resistor	1k	R20
R52	Resistor	10k	R20
R53	Resistor	10k	ELR20
R54	Resistor	10k	ELR20
R55	Resistor	10k	R20
R56	Resistor	47k	ELR20
R57	Resistor	47k	ELR20
R58	Resistor	47k	ELR20
R59	Resistor	47k	R20
R60	Resistor	10k	R20
R61	Resistor	47k	R20
R62	Resistor	100k	R20
R63	Resistor	4.7k	ELR20
R64	Resistor	47k	R20
R65	Resistor	10k	R25
R66	Resistor	47k	R20
R67	Resistor	47k	R20
R68	Resistor	1k	ELR20

[LOGIC UNIT]

REF. NO.	DESCRIPTION	PART NO.	
R69	Resistor	1k	ELR20
R70	Resistor	100k	ELR20
C1	Barrier Layer	0.1	16V
C2	Electrolytic	1	50V
C3	Electrolytic	1	50V
C4	Barrier Layer	0.1	16V
C5	Barrier Layer	680P	50V
C6	Electrolytic	22	10V
C7	Ceramic	0.0047	50V
C9	Ceramic	0.001	50V
C10	Electrolytic	10	16V
C11	Electrolytic	0.47	50V
C12	Electrolytic	1	50V
C13	Barrier Layer	0.1	16V
C14	Ceramic	30P	50V
C15	Ceramic	30P	50V
C16	Array	B7ZC0711-32N	0.01 × 6
C17	Array	B5RC0124-32N	0.001 × 4
C18	Ceramic	0.0047	50V
C19	Ceramic	0.0047	50V
C20	Electrolytic	10	16V
C21	Barrier Layer	0.1	16V
C22	Ceramic	0.0047	50V
C23	Ceramic	0.0047	50V
C24	Barrier Layer	0.1	16V
C25	Ceramic	0.0047	50V
C26	Electrolytic	0.47	50V
C27	Barrier Layer	0.1	16V
C28	Electrolytic	0.47	50V
C29	Electrolytic	22	10V
C30	Barrier Layer	0.1	16V
J1	Connector	TL-25P-03-V1	
J2	Connector	TL-25P-08-V1	
J3	Connector	TL-25P-07-V1	
J4	Connector	TLB-P09H-B1	
J5	Connector	TL-25P-03-V1	
J6	Connector	TL-25P-06-V1	
J7	Connector	TL-25P-08-V1	
J8	Connector	TL-25P-10-V1	
J9	Connector	TLB-P06H-B1	
J10	Connector	TL-25P-04-V1	
J11	Connector	TLB-P03H-B1	
J12	Connector	TLB-P06H-B1	
J13	Connector	TLB-P08H-B1	
J14	Connector	TL-25P-08-V1	
J15	Connector	TL-25P-04-V1	
J16	Connector	TL-25P-08-V1	
J17	Connector	IMSA-9201B-2-16T	
J18	Connector	TL-25P-03-V1	
J19	Connector	TL-25P-06-V1	
J20	Connector	TL-25P-03-V1	
J21	Connector	TL-25P-03-V1	
J22	RT Pin	RT-01T-1.0B	
		(#04, #05, #06 Only)	
J23	RT Pin	RT-01T-1.0B	
		(#04, #05, #06 Only)	

[LOGIC UNIT]

REF. NO.	DESCRIPTION	PART NO.
P1	Connector	TL-25H-08-B1
P2	Connector	TL-25H-06-B1
P3	Connector	TL-25H-03-B1
P4	Connector	TL-25H-06-B1
P5	Connector	TL-25H-08-B1
P6	Connector	IMSA-9201B-HT
P7	Connector	IMSA-9201B-HT
P8	Connector	IMSA-9201B-HT
P9	Connector	001T410
P10	Connector	001T410
BT1	Lithium Battery	BR2032-1T2
EP1	P.C. Board	B-995C
W2	Jumper	IPS-1041-2
W3	Jumper	IPS-1041-2
W4	Jumper	IPS-1041-2
W5	Jumper	IPS-1041-4
W6	Jumper	IPS-1041-4
W7	Jumper	IPS-1041-4
W8	Jumper	IPS-1041-2
W9	Jumper	IPS-1041-2
W10	Jumper	IPS-1041-4
W11	Jumper	IPS-1041-4
W12	Jumper	IPS-1041-4
W13	Jumper	IPS-1041-4
W14	Jumper	IPS-1041-2
W16	Jumper	IPS-1041-4
W17	Jumper	IPS-1041-4
W18	Jumper	IPS-1041-4
W19	Jumper	IPS-1041-4
W20	Jumper	IPS-1041-4
W21	Jumper	IPS-1041-2
W22	Jumper	IPS-1041-4
W23	Jumper	IPS-1041-4
W24	Jumper	IPS-1041-4
W25	Jumper	IPS-1041-4
W26	Jumper	IPS-1041-4
W27	Jumper	IPS-1041-4
W28	Jumper	IPS-1041-4
W29	Jumper	IPS-1041-2
W30	Jumper	IPS-1041-4
W31	Jumper	IPS-1041-2
W32	Jumper	JPW-02A
W33	Jumper	IPS-1041-2
W34	Jumper	IPS-1041-2
W35	Jumper	IPS-1041-2
W36	Jumper	IPS-1041-2
W37	Jumper	IPS-1041-4
W38	Jumper	JPW-02A
W39	Jumper	IPS-1041-4
W40	Jumper	IPS-1041-4
W41	Jumper	IPS-1041-4
W42	Jumper	IPS-1041-2
W43	Jumper	IPS-1041-4
W44	Jumper	IPS-1041-4
W45	Jumper	IPS-1041-4
W46	Jumper	IPS-1041-4
W47	Jumper	IPS-1041-4

[LOGIC UNIT]

REF. NO.	DESCRIPTION	PART NO.
W48	Jumper	IPS-1041-4
W49	Jumper	IPS-1041-2
W50	Jumper	IPS-1041-4
W51	Jumper	IPS-1041-4
W52	Jumper	IPS-1041-4
W53	Jumper	IPS-1041-4
W54	Jumper	IPS-1041-2
W55	Jumper	IPS-1041-4
W56	Jumper	IPS-1041-2
W57	Jumper	IPS-1041-2
W58	Jumper	IPS-1041-4
W59	Jumper	IPS-1041-4
W60	Jumper	IPS-1041-4
W64	Jumper	IPS-1041-4
W65	Jumper	IPS-1041-4
W66	Jumper	IPS-1041-4
W67	Jumper	IPS-1041-4
W68	Jumper	IPS-1041-4
W69	Jumper	IPS-1041-2
W70	Jumper	IPS-1041-4
W71	Jumper	IPS-1041-2
W72	Jumper	IPS-1041-2
W73	Jumper	IPS-1041-4
W74	Jumper	IPS-1041-2
W75	Jumper	IPS-1041-2
W76	Jumper	IPS-1041-4
W77	Jumper	IPS-1041-2
W78	Jumper	IPS-1041-2
W79	Jumper	IPS-1041-2
W80	Jumper	IPS-1041-2
W81	Jumper	IPS-1041-4
W82	Jumper	IPS-1041-2
W83	Jumper	IPS-1041-4
W84	Jumper	IPS-1041-2
W85	Jumper	IPS-1041-4
W86	Jumper	IPS-1041-2
W87	Jumper	IPS-1041-2
W88	Jumper	IPS-1041-2
W89	Jumper	IPS-1041-2
W90	Jumper	IPS-1041-4
W91	Jumper	IPS-1041-4
W92	Jumper	IPS-1041-2
W93	Jumper	IPS-1041-4
W94	Jumper	IPS-1041-4
W95	Jumper	IPS-1041-4
W96	Jumper	IPS-1041-2
W97	Jumper	IPS-1041-4
W98	Jumper	IPS-1041-4
W99	Jumper	IPS-1041-2
W100	Jumper	IPS-1041-2
W101	Jumper	IPS-1041-2
W102	Jumper	IPS-1041-4
W103	Jumper	IPS-1041-4
W104	Jumper	IPS-1041-4
W105	Jumper	IPS-1041-2
W106	Jumper	IPS-1041-2
W107	Jumper	IPS-1041-4
W108	Jumper	IPS-1041-4
W109	Jumper	IPS-1041-4
W110	Jumper	IPS-1041-4
W111	Jumper	IPS-1041-4
W112	Jumper	IPS-1041-4
W113	Jumper	IPS-1041-2
W114	Jumper	IPS-1041-2

[LOGIC UNIT]

REF. NO.	DESCRIPTION	PART NO.
W115	Jumper	IPS-1041-2 (#04, #05, #06 Only)
W116	Wire	23/05/050/C21/C32G (#04, #05, #06 Only)
W117	Wire	23/01/230/C01/C22
W118	Wire	23/02/230/C01/C22
W119	Wire	23/03/230/C01/C22
W120	Wire	23/04/230/C01/C22
W121	Wire	23/05/230/C01/C22
W122	Wire	23/06/230/C01/C22
W123	Wire	23/07/230/C01/C22
W124	Wire	23/08/230/C01/C22
W125	Wire	23/01/370/C01/C22
W126	Wire	23/02/370/C01/C22
W127	Wire	23/03/370/C01/C22
W128	Wire	23/04/370/C01/C22
W129	Wire	23/05/370/C01/C22
W130	Wire	23/06/370/C01/C22
W131	Wire	23/01/320/C01/C22
W132	Wire	23/02/320/C01/C22
W133	Wire	23/03/320/C01/C22
W134	Wire	23/01/270/C01/C22
W135	Wire	23/02/270/C01/C22
W136	Wire	23/03/270/C01/C22
W137	Wire	23/04/270/C01/C22
W138	Wire	23/05/270/C01/C22
W139	Wire	23/06/270/C01/C22
W140	Wire	23/01/280/C01/C22
W141	Wire	23/02/280/C01/C22
W142	Wire	23/03/280/C01/C22
W143	Wire	23/04/280/C01/C22
W144	Wire	23/05/280/C01/C22
W145	Wire	23/06/280/C01/C22
W146	Wire	23/07/280/C01/C22
W147	Wire	23/08/280/C01/C22
W148	Wire	23/08/250/C21/C21
W149	Wire	23/09/110/C21/C21
W150	Wire	23/00/080/C21/C21
W151	Wire	23/01/110/C21/C21
W152	Wire	23/02/220/C21/C21
W153	Wire	23/03/180/C21/C21
W154	Wire	23/04/210/C32G/C21

[PLL UNIT]

REF. NO.	DESCRIPTION	PART NO.
IC1	IC	μA78M08
IC2	IC	NJM78M05A
IC3	IC	M54929P
IC4	IC	M54466L
IC5	IC	μPC1651G
IC6	IC	ND487C1-3R
IC7	IC	HD10551
IC8	IC	ND487C1-3R
IC9	IC	μPC1651G
IC10	IC	μPC1651G
IC11	IC	M5218L
Q1	Transistor	2SC3355
Q2	Transistor	2SC3355
Q3	Transistor	2SC3399
Q4	Transistor	2SA1345
Q5	Transistor	2SC1571 G
Q6	FET	2SK162 L/M
Q8	Transistor	2SA1015 Y
Q9	Transistor	2SC3399
Q10	Transistor	2SC763 C
Q11	FET	2SK241 GR
Q12	Transistor	2SC3355
Q13	FET	2SK162 L/M
Q14	Transistor	2SA1015 Y
Q15	Transistor	2SC383TM
Q16	Transistor	2SC763 C
Q17	FET	2SK241 GR
Q18	Transistor	2SC3355
Q19	Transistor	2SC1571 G
Q20	Transistor	2SA1015 Y
Q21	Transistor	2SA1015 Y
Q22	Transistor	2SA1015 Y
Q23	Transistor	2SC3399
Q24	Transistor	2SC383TM
Q25	Transistor	2SC763 C
Q26	FET	2SK241 GR
Q27	Transistor	2SC3355
Q28	Transistor	2SC3355
Q29	Transistor	2SC3355
Q30	Transistor	2SC3402
Q31	Transistor	2SC2785 HF/FF
D1	Diode	1SS216
D2	Diode	1SS216
D3	Diode	1SS53
D4	Diode	1SS53
D5	Diode	1SS53
D6	Diode	1SS53
D7	Diode	1SS53
D8	Diode	1SS216
D9	Diode	1SS53
D10	Diode	1SS53
D11	Diode	1SS53
D12	Diode	1SS53
D13	Diode	1SS53
D14	Diode	1SS53
D15	Diode	1SS53
D17	Varicap	1SV50E (1)
D18	Diode	1SS53
D19	Diode	1SS53
D20	Diode	1SS216

[PLL UNIT]

REF. NO.	DESCRIPTION	PART NO.
D21	Diode	1SS53
D23	Diode	1SS53
D24	Diode	1SS216
D26	Zener	RD8.2E B3
D27	Diode	1SS216
D28	Diode	1SS216
D29	Diode	1SS216
D30	Zener	RD8.2E B3
X1	Crystal	CR116
X2	Crystal	CR115
L1	Coil	LAL03NA 101K
L2	Coil	LAL04NA 101K
L3	Coil	LQN5N 1R0M
L4	Coil	LAL03NA 101K
L5	Coil	LR-168
L6	Coil	LW-19
L7	Coil	LAL03NA 101K
L8	Coil	LAL03NA 101K
L9	Coil	LA-233
L10	Coil	LA-242
L11	Coil	LR-145
L12	Coil	LR-145
L13	Coil	LAL03NA 101K
L14	Coil	PA252HT-1876A
L15	Coil	252MX-1857F
L16	Coil	LAL04NA 102K
L17	Coil	LAL02KR 101K
L18	Coil	LS-259
L19	Coil	LS-259
L20	Coil	LS-259
L21	Coil	LS-145
L22	Coil	LAL03NA R33M
L23	Coil	252HE-1821A
L24	Coil	LW-19
L25	Coil	252HE-1821A
L26	Coil	LR-145
L27	Coil	LR-116
L28	Coil	LAL02KR 4R7K
L29	Coil	LS-114
L30	Coil	LS-114
L31	Coil	LS-230A
L32	Coil	LS-230A
L33	Coil	LS-230A
L34	Coil	LS-229
L35	Coil	LAL03NA R33M
L36	Coil	252MX-1828F
L37	Coil	LAL03NA 101K
L38	Coil	252MX-1828F
L39	Coil	LS-130A
L40	Coil	LS-94
L41	Coil	LS-230A
L42	Coil	LS-230A
L43	Coil	LS-230A
L44	Coil	LS-229
L45	Coil	LAL03NA R33M
L46	Coil	252HA-1822F
L47	Coil	LAL03NA R33M
L48	Coil	252HA-1822F
L49	Coil	LS-230A
L51	Coil	LQN5N 1R0M

[PLL UNIT]

REF. NO.	DESCRIPTION	PART NO.
L52	Coil	LAL03NA 101K
L53	Coil	LAL03NA 101K
L56	Coil	LAL04NA 102K
L58	Coil	LAL03NA 101K
L59	Coil	LAL03NA 101K
L60	Coil	LW-19
L61	Coil	LAL03NA 101K
L62	Coil	LAL03NA 101K
L63	Coil	LAL03NA 101K
L64	Coil	LAL03NA 101K
L65	Coil	LAL03NA 101K
L66	Coil	LAL03NA 101K
L67	Coil	LAL03NA 101K
L68	Coil	LAL03NA 101K
L69	Coil	LAL03NA 101K
L70	Coil	LW-19
L71	Coil	LAL03NA 101K
L73	Coil	LAL04NA 102K
L74	Coil	LAL02KR 101K
L75	Coil	LQN5N 1R0M
L76	Coil	LAL03NA 100K
L77	Coil	LA-233
R1	Resistor	10 CRB25FX
R2	Resistor	4.7k R20
R3	Resistor	4.7k R20
R4	Resistor	1.5k R20
R5	Resistor	470 R20
R6	Resistor	1k R20
R7	Resistor	22 MCR10
R8	Resistor	6.8k MCR10
R9	Resistor	1k R20
R10	Resistor	270 MCR10
R11	Resistor	270 MCR10
R12	Resistor	15 MCR10
R13	Resistor	22k R20
R14	Resistor	10k R20
R15	Resistor	390 R20
R16	Resistor	2.7k R20
R17	Resistor	4.7k R20
R18	Resistor	10k ELR20
R19	Resistor	3.3k ELR20
R20	Resistor	15k ELR20
R21	Trimmer	RHB0C1431A 10K
R22	Trimmer	RHB0CJ401A 22K
R23	Resistor	22 R20
R24	Resistor	100 R20
R25	Resistor	6.8k R20
R26	Resistor	1.5k ELR20
R27	Resistor	100 R20
R28	Resistor	8.2k R20
R29	Resistor	3.9k R20
R30	Resistor	150k R20
R31	Resistor	100 R20
R32	Resistor	1k R20
R33	Resistor	100 R20
R34	Resistor	1k MCR10
R35	Resistor	1.5k ELR20
R36	Resistor	10k ELR20
R37	Resistor	2.2k ELR20
R38	Resistor	47 ELR20
R39	Resistor	100 R20
R40	Resistor	22k ELR20

[PLL UNIT]

REF. NO.	DESCRIPTION	PART NO.	
R41	Resistor	4.7k	ELR20
R42	Resistor	220	ELR20
R43	Resistor	47k	ELR20
R44	Resistor	100	R20
R45	Resistor	100	ELR20
R46	Resistor	100	R20
R47	Resistor	22k	ELR20
R48	Resistor	1.5k	ELR20
R49	Trimmer	RHBOCS511A	470K
R50	Resistor	470k	ELR20
R51	Resistor	180k	ELR20
R52	Resistor	100	R20
R53	Resistor	220	ELR20
R54	Resistor	1.5k	ELR20
R55	Resistor	10k	R20
R56	Resistor	100k	ELR20
R57	Resistor	2.2k	ELR20
R58	Trimmer	RHBOC151XA	100K
R59	Resistor	100k	R20
R60	Resistor	47	R20
R61	Resistor	100	R20
R62	Resistor	220	R20
R63	Resistor	22k	ELR20
R64	Resistor	4.7k	ELR20
R65	Resistor	1k	R20
R66	Resistor	47	R20
R67	Resistor	100	R20
R68	Resistor	22k	ELR20
R69	Resistor	4.7k	R20
R70	Resistor	220	ELR20
R71	Resistor	100	R20
R72	Resistor	47k	ELR20
R73	Resistor	100	ELR20
R74	Resistor	100	ELR20
R75	Resistor	22k	ELR20
R76	Resistor	1.5k	ELR20
R77	Resistor	560k	ELR20
R79	Resistor	470	R20
R80	Resistor	100	R20
R81	Resistor	3.3k	R20
R82	Resistor	10k	ELR20
R83	Resistor	100	ELR20
R84	Resistor	10k	ELR20
R86	Resistor	2.2k	ELR20
R87	Resistor	10k	R20
R88	Resistor	2.2k	R20
R89	Resistor	220	R20
R90	Resistor	10k	ELR20
R91	Resistor	4.7k	ELR20
R92	Resistor	1k	ELR20
R93	Resistor	47	R20
R94	Resistor	100	R20
R95	Resistor	15k	ELR20
R96	Resistor	4.7k	ELR20
R97	Resistor	150	ELR20
R98	Resistor	100	R20
R99	Resistor	47k	ELR20
R100	Resistor	100	ELR20
R101	Resistor	1.5k	R20
R102	Resistor	100	ELR20
R104	Resistor	100	R20
R105	Resistor	27k	ELR20
R106	Resistor	2.7k	ELR20
R107	Resistor	100	R20

[PLL UNIT]

REF. NO.	DESCRIPTION	PART NO.	
R108	Resistor	4.7k	ELR20
R109	Resistor	470	ELR20
R110	Resistor	1k	ELR20
R111	Resistor	100	R20
R113	Resistor	100	ELR20
R114	Resistor	1.5k	ELR20
R115	Resistor	1k	ELR20
R117	Resistor	1.5k	R20
R118	Resistor	100	ELR20
R119	Resistor	22	R20
R120	Resistor	2.2k	ELR20
R121	Resistor	1k	ELR20
R122	Resistor	22	R20
R123	Resistor	150	MCR10
R124	Resistor	39	MCR10
R125	Resistor	150	MCR10
R126	Resistor	150	R20
R127	Resistor	39	ELR20
R128	Resistor	150	R20
R132	Resistor	270	R20
R133	Resistor	15	R20
R134	Resistor	270	R20
R135	Resistor	270	ELR20
R136	Resistor	15	R20
R137	Resistor	270	ELR20
R138	Resistor	150	ELR20
R139	Resistor	39	R20
R140	Resistor	150	ELR20
R141	Resistor	47	R50X
R142	Resistor	47	R50X
C1	Electrolytic	33	16V
C2	Barrier Layer	0.1	16V
C3	Electrolytic	220	10V
C4	Barrier Layer	0.1	16V
C5	Electrolytic	100	10V
C6	Barrier Layer	0.1	16V
C7	Electrolytic	47	10V
C8	Ceramic	0.0047	50V
C9	Ceramic	D55X5T1H473M51	0.047
C10	Ceramic	D67X5T1H684M51	0.68
C11	Ceramic	470P	50V
C12	Electrolytic	100	10V
C13	Ceramic	D55X5T1H104M51	0.1
C14	Electrolytic	22	6.3V RC2
C15	Electrolytic	47	10V
C16	Electrolytic	100	16V
C17	Ceramic	D55X5T1H104M51	0.1
C18	Feed Through	TF240-602	SS332Z 50V
C19	Barrier Layer	0.1	16V
C20	Monolithic	470P	GRM40
C21	Monolithic	470P	GRM40
C22	Monolithic	22P	GRM40
C23	Ceramic	0.001	50V
C24	Ceramic	120P	50V
C25	Ceramic	68P	50V
C26	Array	B7ZC0717-32N	470P × 6
C27	Barrier Layer	0.1	16V
C28	Ceramic	0.0047	50V
C29	Ceramic	0.0047	50V
C30	Ceramic	0.0047	50V
C31	Ceramic	0.0047	50V
C32	Ceramic	0.0047	50V

[PLL UNIT]

REF. NO.	DESCRIPTION	PART NO.
C33	Ceramic	0.001 50V
C34	Feed Through	TF240-602 SS332Z 50V
C35	Feed Through	TF240-602 SS332Z 50V
C36	Feed Through	TF240-602 SS332Z 50V
C37	Feed Through	TF240-602 SS332Z 50V
C38	Ceramic	4P 50V
C39	Ceramic	18P 50V
C40	Ceramic	27P 50V
C41	Ceramic	10P 50V
C42	Ceramic	22P 50V
C43	Ceramic	0.001 50V
C44	Ceramic	0.001 50V
C45	Ceramic	0.001 50V
C46	Monolithic	470P GRM40
C47	Feed Through	TF240-602 SS332Z 50V
C48	Monolithic	470P GRM40
C49	Ceramic	470P 50V
C50	Ceramic	470P 50V
C51	Feed Through	TF240-602 SS332Z 50V
C52	Ceramic	470P 50V
C53	Ceramic	22P 50V
C54	Ceramic	22P 50V
C55	Ceramic	22P 50V
C56	Ceramic	22P 50V
C57	Feed Through	TF240-602 SS332Z 50V
C58	Ceramic	0.001 50V
C59	Ceramic	0.0047 50V
C60	Ceramic	0.0047 50V
C61	Electrolytic	47 6.3V MS7
C62	Ceramic	100P 50V
C63	Ceramic	0.001 50V
C64	Ceramic	5P 50V
C65	Ceramic	0.001 50V
C66	Ceramic	6P 50V
C67	Ceramic	6P 50V
C68	Ceramic	0.5P 50V
C69	Ceramic	0.5P 50V
C70	Ceramic	0.5P 50V
C71	Ceramic	0.001 50V
C72	Ceramic	3P 50V
C73	Ceramic	0.001 50V
C74	Ceramic	100P 50V
C75	Ceramic	470P 50V
C76	Ceramic	470P 50V
C77	Ceramic	5P 50V
C78	Ceramic	6P 50V
C79	Cylinder	UP125SL8R2K-NA 8.2P
C80	Cylinder	UP125SL5R6K-NA 5.6P
C81	Electrolytic	47 10V
C82	Feed Through	TF240-602 SS332Z 50V
C83	Electrolytic	47 10V
C84	Ceramic	47P 50V
C85	Ceramic	120P 50V
C86	Ceramic	100P 50V
C87	Cylinder	UP125SL101J-NA 100P
C88	Ceramic	15P 50V
C89	Feed Through	TF240-602 SS332Z 50V
C90	Ceramic	0.001 50V
C91	Dip Mica	100P 50V
C92	Dip Mica	100P 50V
C93	Ceramic	0.001 50V
C94	Ceramic	0.35P 50V
C95	Ceramic	100P 50V
C96	Ceramic	0.001 50V

[PLL UNIT]

REF. NO.	DESCRIPTION	PART NO.
C97	Ceramic	9P 50V
C98	Ceramic	0.001 50V
C99	Ceramic	10P 50V
C100	Ceramic	10P 50V
C101	Ceramic	0.75P 50V
C102	Ceramic	0.75P 50V
C103	Ceramic	2P 50V
C104	Ceramic	0.001 50V
C105	Ceramic	8P 50V
C106	Ceramic	0.001 50V
C107	Ceramic	100P 50V
C108	Ceramic	470P 50V
C109	Ceramic	470P 50V
C110	Cylinder	UP125SL8R2K-NA 8.2P
C111	Ceramic	8P 50V
C112	Cylinder	UP125SL8R2K-NA 8.2P
C113	Monolithic	15P GRM40
C114	Monolithic	4P GRM40
C115	Monolithic	18P GRM40
C116	Monolithic	3P GRM40
C117	Ceramic	33P 50V
C118	Ceramic	470P 50V
C119	Feed Through	TF240-602 SS332Z 50V
C120	Ceramic	0.001 50V
C121	Ceramic	10P 50V UJ
C122	Dip Mica	47P 50V
C123	Dip Mica	39P 50V
C124	Ceramic	22P 50V UJ
C125	Ceramic	0.001 50V
C126	Ceramic	470P 50V
C127	Ceramic	470P 50V
C128	Ceramic	0.001 50V
C129	Ceramic	6P 50V
C130	Ceramic	0.001 50V
C131	Ceramic	6P 50V
C132	Ceramic	6P 50V
C133	Ceramic	0.5P 50V
C134	Ceramic	0.5P 50V
C135	Ceramic	0.5P 50V
C136	Ceramic	0.001 50V
C137	Ceramic	3P 50V
C138	Ceramic	0.001 50V
C139	Ceramic	470P 50V
C140	Ceramic	470P 50V
C141	Ceramic	D55X5T1H104M51 0.1
C142	Ceramic	470P 50V
C143	Ceramic	22P 50V
C144	Ceramic	120P 50V
C145	Ceramic	22P 50V
C146	Ceramic	22P 50V
C147	Ceramic	5P 50V
C148	Ceramic	470P 50V
C149	Ceramic	0.001 50V
C150	Ceramic	5P 50V
C151	Ceramic	22P 50V
C152	Ceramic	4P 50V
C153	Ceramic	100P 50V
C154	Feed Through	TF240-602 SS332Z 50V
C155	Feed Through	TF240-602 SS332Z 50V
C156	Ceramic	470P 50V
C157	Ceramic	4P 50V
C158	Ceramic	470P 50V
C159	Ceramic	470P 50V
C160	Ceramic	120P 50V

[PLL UNIT]

REF. NO.	DESCRIPTION	PART NO.
C161	Ceramic	47P 50V
C162	Ceramic	3P 50V
C163	Cylinder	UP125SL3R3K-NA 3.3P
C164	Monolithic	22P GRM40
C165	Ceramic	22P 50V
C166	Ceramic	470P 50V
C167	Ceramic	22P 50V
C168	Monolithic	4P GRM40
C169	Monolithic	2P GRM40
C170	Monolithic	4P GRM40
C171	Monolithic	1P GRM40
C172	Monolithic	4P GRM40
C173	Monolithic	22P GRM40
C174	Monolithic	120P GRM40
C175	Monolithic	3P GRM40
C176	Ceramic	0.001 50V
C177	Electrolytic	100 16V
C178	Electrolytic	100 10V
C179	Electrolytic	100 10V
C180	Ceramic	33P 50V
C181	Ceramic	33P 50V
C182	Ceramic	120P 50V
C183	Ceramic	120P 50V
C184	Ceramic	470P 50V
C185	Ceramic	470P 50V
C186	Ceramic	470P 50V
C187	Ceramic	120P 50V
C188	Monolithic	2P GRM40
C189	Monolithic	3P GRM40
C190	Monolithic	4P GRM40
C191	Monolithic	3P GRM40
C192	Monolithic	5P GRM40
C193	Ceramic	0.001 50V
C194	Ceramic	47P 50V
C195	Monolithic	2P GRM40
C196	Monolithic	15P GRM40
C197	Monolithic	470P GRM40
C198	Monolithic	120P GRM40
C199	Electrolytic	47 10V
J1	Connector	TL-25P-03-V1
J2	Connector	TMP-J01X-V1
J3	Connector	TL-25P-08-V1
J4	Connector	TLB-P03H-B1
J5	Connector	TL-25P-03-V1
J6	Connector	TMP-J01X-V1
P1	Connector	TL-25H-04-B1
P2	Connector	TL-25H-03-B1
EP1	P.C. Board	B-993C
EP2	Bead Core	DL2-0P2.6-3-1.2H
EP3	P.C. Board	B-1179C
W1	Wire	{ 51/09/320/C01A/C22A
W2		08 A A
W3	Wire	23/04/320/C01/C22
W4	Wire	23/02/500/C01/C21
W5	Wire	23/06/630/C01/C21
W6	Wire	23/08/490/C01/C21

[PLL UNIT]

REF. NO.	DESCRIPTION	PART NO.
W7	Wire	23/00/470/C01/C21
W8	Wire	23/07/200/C21/C21
W9	Wire	23/04/230/C21/C21
W10	Wire	23/03/190/C21/C21
W11	Wire	{ 61/99/075/W13A/W13A
W12		08 A A
W13	Wire	23/09/060/W02/C21
W14	Wire	{ 61/99/070/W13A/W13A
W15		08 A A
W16	Wire	23/01/110/C21/C21
W17	Wire	{ 61/99/060/W13A/W13A
W18		08 A A
W19	Wire	23/02/100/C21/C21
W20	Wire	23/05/140/C21/C21
W21	Wire	23/06/150/C21/C21
W23	Jumper	JPW-02A
W24	Jumper	JPW-02A
W25	Jumper	JPW-02A
W26	Jumper	JPW-02A
W27	Wire	72/98/030/X98/X98
W28	Wire	72/98/030/X98/X98
W29	Wire	72/98/030/X98/X98

[VCO UNIT]

REF. NO.	DESCRIPTION	PART NO.	
Q1	FET	2SK125	
Q2	Transistor	2SC3356	
Q3	FET	2SK125	
Q4	Transistor	2SC3356	
D1	Varicap	1T25	
D2	Varicap	1T25	
D3	Varicap	1T25	
D4	Varicap	1T25	
D5	Diode	1SS216	
D6	Varicap	1T25	
D7	Varicap	1T25	
D8	Varicap	1T25	
D9	Varicap	1T25	
D10	Diode	1SS216	
L1	Coil	LW-19	
L3	Coil	LQN5N 1R0M	
L4	Coil	LQN5N 1R0M	
L5	Coil	LQN5N 1R0M	
L6	Coil	LW-19	
L8	Coil	LQN5N 1R0M	
L9	Coil	LQN5N 1R0M	
L10	Coil	LQN5N 1R0M	
L11	Coil	LQN5N 1R0M	
R1	Resistor	220	MCR10
R2	Resistor	1.5k	MCR10
R3	Resistor	3.9k	MCR10
R4	Resistor	100	MCR10
R5	Resistor	10	MCR10
R6	Resistor	100	MCR10
R7	Resistor	220	MCR10
R8	Resistor	1.5k	MCR10
R9	Resistor	3.9k	MCR10
R10	Resistor	100	MCR10
R11	Resistor	100	MCR10
R12	Resistor	10	MCR10
R13	Resistor	1.5k	MCR10
R14	Resistor	470	MCR10
R15	Resistor	470	MCR10
C1	Monolithic	3P	GRM40CH
C2	Monolithic	3P	GRM40CH
C3	Monolithic	470P	GRM40
C4	Monolithic	470P	GRM40
C5	Monolithic	0.5P	GRM40
C6	Electrolytic	220	10V
C7	Monolithic	470P	GRM40
C8	Monolithic	6P	GRM40
C9	Monolithic	470P	GRM40
C10	Tantalum	DN1V4R7M1S 4.7	
C11	Monolithic	470P	GRM40
C12	Monolithic	3P	GRM40CH
C13	Monolithic	3P	GRM40CH
C14	Monolithic	470P	GRM40
C15	Monolithic	470P	GRM40
C16	Monolithic	0.5P	GRM40
C17	Electrolytic	220	10V
C18	Monolithic	0.001	GRM40

[VCO UNIT]

REF. NO.	DESCRIPTION	PART NO.	
C19	Monolithic	6P	GRM40
C21	Monolithic	470P	GRM40
EP1	P.C. Board	B-994B	
EP2	P.C. Board	B-1100A	
W1	Wire	72/98/030/X98/X98	
W2	Wire	72/98/030/X98/X98	
W3	Wire	72/98/030/X98/X98	

[DISPLAY UNIT]

REF. NO.	DESCRIPTION	PART NO.
IC1	IC	μPD549C
IC2	IC	μPD549C
IC3	IC	TA78L005AP
Q1	Transistor	2SC2458 GR
Q2	Transistor	2SC2458 GR
Q3	Transistor	2SC2458 GR
Q4	Transistor	2SC2458 GR
Q5	Transistor	2SC2458 GR
Q6	Transistor	2SA1345
Q7	Transistor	2SA1345
Q8	Transistor	2SA1345
Q9	Transistor	2SA1345
Q10	Transistor	2SA1345
Q11	Transistor	2SC2655
Q12	Transistor	2SC2655
Q13	Transistor	2SA1348
Q14	Transistor	2SC3399
D1	Diode	1SS55
D2	Diode	1SS55
D3	Zener	RD6.2E B2
D4	Zener	RD24E B2
D5	Zener	RD5.1E B2
D6	Diode	1SS55
D7	Diode	1SS55
D8	Diode	1SS55
D9	Diode	1SS55
D10	Diode	1SS55
D11	Diode	1SS55
D12	Diode	1SS55
D13	Diode	1SS55
D14	Diode	1SS55
D15	Diode	1SS55
D16	Diode	1SS55
L1	Coil	FL9H 102J
R1	Resistor	1k R20
R2	Resistor	1k R20
R3	Resistor	1k R20
R4	Resistor	1k R20
R5	Resistor	1k ELR20
R6	Resistor	1k ELR20
R7	Resistor	1k ELR20
R8	Resistor	1k ELR20
R9	Resistor	1k ELR20
R10	Resistor	1k R20
R11	Array	RMX-6 47k
R12	Array	RMX-10 47k
R13	Array	RMX-8 47k
R14	Resistor	47k ELR20
R15	Resistor	47k ELR20
R16	Resistor	47k ELR20
R17	Resistor	47k ELR20
R18	Resistor	47k ELR20
R19	Array	RMX-6 47k
R20	Array	RMX-8 47k
R21	Resistor	47k ELR20
R22	Resistor	47k ELR20

[DISPLAY UNIT]

REF. NO.	DESCRIPTION	PART NO.
R23	Resistor	47k ELR20
R24	Resistor	47k ELR20
R25	Resistor	2.7k ELR20
R26	Resistor	2.7k ELR20
R27	Resistor	2.7k ELR20
R28	Resistor	2.7k ELR20
R29	Resistor	2.7k ELR20
R30	Resistor	82 ELR20
R31	Resistor	5.6k R20
R32	Resistor	5.6k R20
R33	Resistor	47 R20
R34	Array	RMX-4 47k
R35	Resistor	47k R20
R36	Resistor	47k ELR20
R37	Resistor	2.7k R20
R38	Resistor	6.8 R20
R39	Resistor	2.7k ELR20
R40	Resistor	47k R20
R41	Resistor	10k ELR20
R42	Resistor	470k ELR20
C1	Array	B5RC0124-32N 0.001 × 4
C2	Ceramic	0.001 50V
C3	Array	B5RC0124-32N 0.001 × 4
C4	Ceramic	0.001 50V
C5	Ceramic	0.0047 50V
C6	Ceramic	0.0047 50V
C7	Barrier Layer	0.1 16V
C8	Barrier Layer	0.1 16V
C9	Barrier Layer	0.1 16V
C10	Barrier Layer	0.1 16V
C11	Barrier Layer	0.1 16V
C12	Array	B5RC0124-32N 0.001 × 4
C13	Ceramic	0.001 50V
C14	Ceramic	0.0047 50V
C15	Ceramic	0.0047 50V
C16	Ceramic	0.001 50V
C17	Electrolytic	100 16V
C18	Electrolytic	10 16V RC2
C19	Electrolytic	10 16V RC2
C20	Electrolytic	10 16V RC2
C21	Electrolytic	4.7 25V RC2
C22	Electrolytic	3.3 50V RC2
C23	Electrolytic	3.3 50V RC2
C24	Ceramic	0.0047 50V
C25	Ceramic	0.0047 50V
J1	Connector	TLB-P06H-B1
J2	Connector	TLB-P04H-B1
J3	Connector	TL-25P-03-L1
J4	Connector	TLB-P04H-B1
J5	Connector	SB-20P-HVQ-28
J6	Connector	SB-10P-HVQ-28
J7	Connector	SB-13P-HVQ-28
P1	Connector	TL-25H-04-B1
P2	Connector	TL-25H-10-B1
P3	Connector	TL-25H-04-B1
P4	Connector	TL-25H-03-B1

[DISPLAY UNIT]

REF. NO.	DESCRIPTION	PART NO.
DS1	FLD	FIP9KM7
T1	Transformer	TO-9
EP1	P.C. Board	B-996C
EP2	P.C. Board	B-742F
W1	Wire	23/01/100/C21/C21
W2	Wire	23/02/100/C21/C21
W3	Wire	23/03/090/C21/C21
W4	Wire	23/04/180/C21/C21
W5	Wire	23/05/140/C21/C21
W6	Wire	23/06/140/C21/C21
W7	Wire	23/07/090/C21/C21
W8	Wire	23/08/140/C21/C21
W9	Wire	23/09/120/C21/C21
W10	Jumper	IPS-1041-2
W11	Jumper	IPS-1041-4
W12	Jumper	IPS-1041-2
W13	Jumper	IPS-1041-2
W14	Jumper	IPS-1041-2
W15	Jumper	IPS-1041-4
W16	Jumper	IPS-1041-2
W17	Jumper	IPS-1041-2
W18	Jumper	IPS-1041-2
W19	Jumper	IPS-1041-2
W20	Jumper	IPS-1041-2
W21	Jumper	IPS-1041-4
W22	Jumper	IPS-1041-2
W23	Jumper	IPS-1041-4
W24	Jumper	IPS-1041-2
W25	Jumper	IPS-1041-4
W26	Jumper	IPS-1041-4
W27	Jumper	IPS-1041-2
W28	Jumper	IPS-1041-4
W29	Jumper	IPS-1041-4
W30	Jumper	IPS-1041-2
W31	Jumper	IPS-1041-4
W32	Jumper	IPS-1041-4
W33	Jumper	IPS-1041-4
W34	Jumper	IPS-1041-4
W35	Jumper	IPS-1041-4
W36	Jumper	IPS-1041-2
W37	Jumper	IPS-1041-4
W38	Jumper	IPS-1041-2
W39	Jumper	IPS-1041-4
W40	Jumper	IPS-1041-4
W41	Jumper	IPS-1041-4
W42	Jumper	IPS-1041-4
W43	Jumper	IPS-1041-4
W44	Jumper	IPS-1041-4
W45	Jumper	IPS-1041-4
W46	Jumper	IPS-1041-2
W47	Jumper	IPS-1041-4
W48	Jumper	IPS-1041-4
W49	Jumper	IPS-1041-2
W50	Jumper	IPS-1041-2
W51	Jumper	IPS-1041-4
W52	Jumper	IPS-1041-2
W53	Jumper	IPS-1041-2

[DISPLAY UNIT]

REF. NO.	DESCRIPTION	PART NO.
W54	Wire	23/02/470/C01/C21
W55	Wire	23/00/470/C01/C21
W56	Wire	23/09/470/C01/C21
W57	Wire	23/05/340/C01/C21
W58	Wire	23/01/370/C01/C22
W59	Wire	23/02/370/C01/C22
W60	Wire	23/03/370/C01/C22
W61	Wire	23/04/370/C01/C22
W62	Wire	23/05/370/C01/C22
W63	Wire	23/06/370/C01/C22
W64	Wire	23/07/370/C01/C22
W65	Wire	23/08/370/C01/C22
W66	Wire	23/09/370/C01/C22
W67	Wire	23/00/370/C01/C22
W68	Wire	23/01/310/C01/C22
W69	Wire	23/02/310/C01/C22
W70	Wire	23/03/310/C01/C22
W71	Wire	23/04/310/C01/C22
W72	Wire	23/06/230/C01/C21
W73	Wire	23/07/150/C01/C21
W74	Wire	23/08/230/C01/C21
W75	Wire	23/05/050/C21/C21
W76	Wire	23/06/120/C21/C21
W77	Wire	23/08/110/C21/C21
W78	Jumper	IPS-1041-2

[REG (#02~#05) UNIT]

REF. NO.	DESCRIPTION	PART NO.
Q1	Transistor	2SD880
Q2	Transistor	2SA1015 Y
Q3	Transistor	2SC945 P
D1	Diode	KBU6D
D2	Zener	RD5.1E B2
D3	Zener	RD5.1E B2
D4	Diode	U05B
L1	Coil	LW-16
R1	Resistor	10k R25
R2	Resistor	SRW5P56-J
R3	Resistor	100 R25
R4	Resistor	1.8k R25
R5	Trimmer	RHB0QN204A 330
R6	Resistor	680 R25
R7	Resistor	4.7 R25
C1	Ceramic	DE7090B102KVA1-KC 1000P
C2	Ceramic	DE7090B102KVA1-KC 1000P
C3	Ceramic	DD112B103K50V02 0.01
C4	Ceramic	DD112B103K50V02 0.01
C5	Ceramic	DD112B103K50V02 0.01
C6	Ceramic	DD112B103K50V02 0.01
C7	Electrolytic	4700 35V LPS
C8	Barrier Layer	0.1 16V
C9	Electrolytic	470 16V
C10	Ceramic	0.0047 50V
C11	Electrolytic	470 16V
C12	Barrier Layer	0.1 16V
C13	Electrolytic	100 25V
J1	Connector	CM-3
J3	Connector	RTB-1.5-4F
J4	Connector	RTB-1.5-4F
P1	Connector	3191-04R1
P2	Connector	1490-4R1
P3	Connector	1P-SMF 01T-1.3
P4	Connector	1490-4P
P5	Connector	S2P-SVF
P6	Connector	S2P-SVF
F1	Fuse	1A (#02 Only)
F1	Fuse	0.5A (#03, #04, #05 Only)
F2	Fuse	2A
F3	Holder	FH-032C
F4	Holder	S-N5051
F5	Holder	S-N5051

[REG (#02~#05) UNIT]

REF. NO.	DESCRIPTION	PART NO.
T1	Transformer	TP-45
EP1	P.C. Board	B-1002B
W1	Wire	13/06/350/A08/W02
W2	Wire	13/04/420/A08/W02
W3	Wire	13/03/420/A08/W03
W4	Wire	13/02/350/A08/B31
W5	Wire	13/02/040/A06/A06
W6	Wire	13/06/050/W02/W02
W7	Wire	13/06/090/W02/W02
W8	Wire	13/00/050/W02/W02
W9	Wire	13/02/130/A05/W03
W10	Wire	13/04/130/A05/W03
W11	Wire	13/00/130/A05/W03
W12	Jumper	IPS-1041-4
W13	Jumper	74/98/050/X98/X98
W14	Wire	13/06/040/B07/B07
W15	Wire	13/06/040/B07/B07

[DL-REG UNIT]

REF. NO.	DESCRIPTION	PART NO.
Q1	Transistor	2SD880
Q2	Transistor	2SA1015 Y
Q3	Transistor	2SC945 P
D1	Diode	KBU6D
D2	Zener	RD5.1E B2
D3	Zener	RD5.1E B2
D4	Diode	U05B
L1	Coil	LW-16
R1	Resistor	10k R25
R2	Resistor	SRW5P56-J
R3	Resistor	100 R25
R4	Resistor	1.8k R25
R5	Trimmer	RH0652CN2J04A 330
R6	Resistor	680 R25
R7	Resistor	4.7 R25
C1	Ceramic	DE1110E102MACT4K-KD
C2	Ceramic	DE1110E102MACT4K-KD
C3	Ceramic	DD112B103K50V02 0.01
C4	Ceramic	DD112B103K50V02 0.01
C5	Ceramic	DD112B103K50V02 0.01
C6	Ceramic	DD112B103K50V02 0.01
C7	Electrolytic	4700 35V LPS
C8	Barrier Layer	0.1 16V
C9	Electrolytic	470 16V
C10	Ceramic	0.0047 50V
C11	Electrolytic	470 16V
C12	Barrier Layer	0.1 16V
C13	Electrolytic	100 25V
J1	Connector	CM-3
P1	Connector	3191-04R1
P2	Connector	1P-SMF01T-1.3
P3	Connector	Spring Connector (Y)
P4	Connector	Spring Connector (Y)
P5	Connector	1625-03R1
P6	Connector	1625-03P1
F1	Fuse	0.5A (F.G.M.S)
F2	Fuse	2A
F3	Holder	FH-033
F4	Holder	S-N5051
F5	Holder	S-N5051
T1	Transformer	TP-46
EP1	P.C. Board	B-1002B

[DL-REG UNIT]

REF. NO.	DESCRIPTION	PART NO.
W1	Wire	13/01/050/A01/A01
W3	Wire	13/02/250/W02/B31
W4	Wire	13/26/140/W06/W06
W5	Wire	99/01/350/A08/W06
W6	Wire	99/01/400/A08/W07
W8	Wire	99/01/180/W06/W06
W9	Wire	13/02/200/A02/W02
W10	Wire	13/03/200/A02/W02
W11	Wire	13/00/200/A02/W02
W12	Jumper	IPS-1041-4
W13	Jumper	74/98/050/X98/X98
W14	Wire	99/06/350/A08/W06
W15	Wire	99/06/400/A08/W07

[DC-DC UNIT]

REF. NO.	DESCRIPTION	PART NO.	
Q1	Transistor	2SC2655	
Q2	Transistor	2SC2655	
Q3	Transistor	2SD468 B/C	
Q4	Transistor	2SB562 C	
Q5	Transistor	2SB562 C	
D1	Diode	1SS55	
D2	Zener	RD24E B2	
D3	Diode	1SS55	
D4	Zener	RD12E B2	
D5	Zener	RD8.2E B1	
D6	Diode	1SS55	
L1	Coil	FL9H 102J	
L2	Coil	LAL04NA 102K	
R1	Resistor	5.6k	R20
R2	Resistor	5.6k	R20
R3	Resistor	2.2	R20
R6	Resistor	3.3k	ELR20
R7	Resistor	10	CRB25FX
R8	Resistor	15k	R20
R9	Resistor	2.2k	ELR20
R10	Resistor	120	ELR25
R11	Resistor	1k	ELR25
C1	Electrolytic	33	16V
C2	Electrolytic	33	16V
C3	Ceramic	0.001	50V
C4	Ceramic	0.001	50V
C5	Ceramic	0.0047	50V
C6	Ceramic	0.0047	50V
C7	Electrolytic	3.3	50V
C8	Electrolytic	22	25V
C9	Electrolytic	100	25V
C10	Electrolytic	100	25V
C11	Electrolytic	3.3	50V
C12	Electrolytic	22	16V
C13	Electrolytic	10	16V
C14	Electrolytic	10	16V
C15	Electrolytic	22	10V
C16	Electrolytic	4.7	25V
C17	Electrolytic	10	16V RC2
J1	Connector	TLB-P04H-B1	
J2	Connector	TLB-P04H-B1	
P1	Connector	TL-25H-04-B1	
P2	Connector	TL-25H-04-B1	
T1	Transformer	TO-9	
EP1	P.C. Board	B-1081A	

[DC-DC UNIT]

REF. NO.	DESCRIPTION	PART NO.
W1	Jumper	IPS-1041-4
W2	Jumper	IPS-1041-4
W3	Wire	23/00/340/C01/C22
W4	Wire	23/05/340/C01/C22
W5	Wire	23/03/340/C01/C22
W6	Wire	23/02/340/C01/C22
W7	Wire	23/06/500/C01/C22
W8	Wire	23/05/500/C01/C22
W9	Wire	23/03/500/C01/C22
W10	Wire	23/04/500/C01/C22
W11	Jumper	IPS-1041-2

[EF UNIT]

REF. NO.	DESCRIPTION	PART NO.
L1	Coil	LW-19
C1	Ceramic	0.0047 50V
C2	Barrier Layer	0.1 16V
J1	Connector	SQ-2054
J2	Connector	NR-DSE-02
J3	Connector	AT-700
J4	Connector	HSJ0780-01-010
J5	Connector	HSJ0780-01-010
J6	Connector	HSJ0780-01-010
J7	Connector	AT-700
P1	Connector	TMP-P01X-A1
P2	Connector	5250-03
P3	Connector	TL-25H-06-B1
P4	Connector	TL-25H-03-B1
P5	Connector	TL-25H-04-B1
P6	Connector	TL-25H-03-B1
P7	Connector	TL-25H-03-B1
P8	Connector	TL-25H-03-B1
P9	Connector	TMP-P01X-A1
P10	Connector	001T410
S1	Switch	SSSY02041A (FM(1)-FM(2) SELECTOR)
S2	Switch	SPPH15009A (USB/LSB SELECTOR)
S3	Switch	SPPH15009A (RECORDER-SPEECH)
SP1	Speaker	C090K10I0851
EP1	P.C. Board	B-1096B
W1	Jumper	IPS-1041-2
W2	Jumper	IPS-1041-4
W3	Jumper	IPS-1041-4
W4	Jumper	IPS-1041-2

[KEYBOARD UNIT]

REF. NO.	DESCRIPTION	PART NO.
IC1	IC	μPC1373H
Q1	Transistor	2SC3399
D1	Diode	1SS133
D2	Diode	1SS133
D3	Diode	1SS133
D4	Diode	1SS133
D5	Diode	1SS133
D6	Diode	1SS133
D7	Diode	1SS133
D8	Diode	1SS133
D9	Diode	1SS133
D10	Diode	1SS133
D11	Diode	1SS133
D12	Diode	1SS133
D13	Diode	1SS133
D14	Diode	1SS133
D15	Diode	1SS133
D16	Diode	1SS133
D17	Diode	1SS133
D18	Diode	1SS133
D19	Diode	1SS133
D20	Diode	1SS133
D21	Diode	1SS133
D22	Diode	1SS133
D23	Diode	1SS133
D24	Diode	1SS133
D25	Diode	1SS133
D26	Diode	1SS133
D27	Diode	1SS133
D28	Photo	PH302B
D29	Zener	RD11E B1
L1	Coil	FL7H 472
R1	Resistor	1k ELR20
R2	Resistor	5.6 ELR20
R3	Resistor	100k ELR20
R4	Resistor	100k ELR20
R5	Resistor	100 R25
R6	Resistor	470 R20
R7	Resistor	2.7k R25
C1	Electrolytic	10 16V RC2
C2	Electrolytic	10 16V RC2
C3	Electrolytic	4.7 25V RC2
C4	Electrolytic	10 16V RC2
C5	Ceramic	0.0047 50V
C6	Barrier Layer	0.1 16V
C7	Ceramic	0.0047 50V
P1	Connector	TL-25H-10-B1
DS1	LED	LN233RP

[KEYBOARD UNIT]

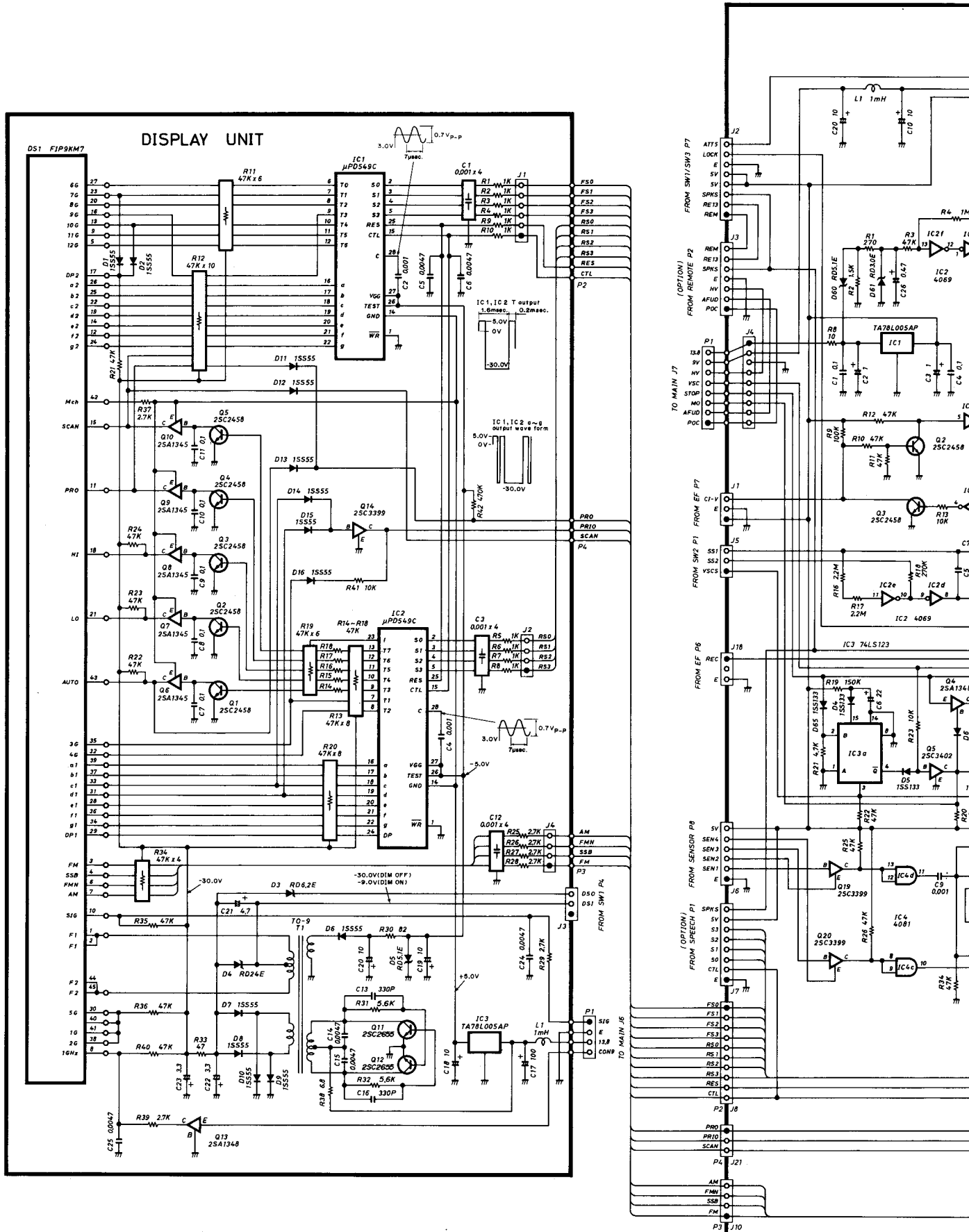
REF. NO.	DESCRIPTION	PART NO.
S1	Switch	HKW0269-01-200 (1)
S2	Switch	HKW0269-01-200 (2)
S3	Switch	HKW0269-01-200 (3)
S4	Switch	HKW0269-01-200 (4)
S5	Switch	HKW0269-01-200 (5)
S6	Switch	HKW0269-01-200 (6)
S7	Switch	HKW0269-01-200 (7)
S8	Switch	HKW0269-01-200 (8)
S9	Switch	HKW0269-01-200 (9)
S10	Switch	HKW0269-01-200 (0)
S11	Switch	HKW0269-01-200 (•)
S12	Switch	HKW0269-01-200 (ENT)
S13	Switch	HKW0269-01-200 (AM)
S14	Switch	HKW0269-01-200 (FM)
S15	Switch	HKW0269-01-200 (FMn)
S16	Switch	HKW0269-01-200 (SSB)
EP1	P.C. Board	B-997B
W1	Wire	23/01/180/C01/W02
W2	Wire	23/02/180/C01/W02
W3	Wire	23/03/180/C01/W02
W4	Wire	23/04/180/C01/W02
W5	Wire	23/05/180/C01/W02
W6	Wire	23/06/180/C01/W02
W7	Wire	23/07/180/C01/W02
W8	Wire	23/09/180/C01/W02
W9	Wire	23/08/180/C01/W02
W10	Wire	23/00/180/C01/W02
W11	Jumper	JPW-02A
W12	Jumper	IPS-1041-2
W13	Jumper	IPS-1041-2

[G PARTS]

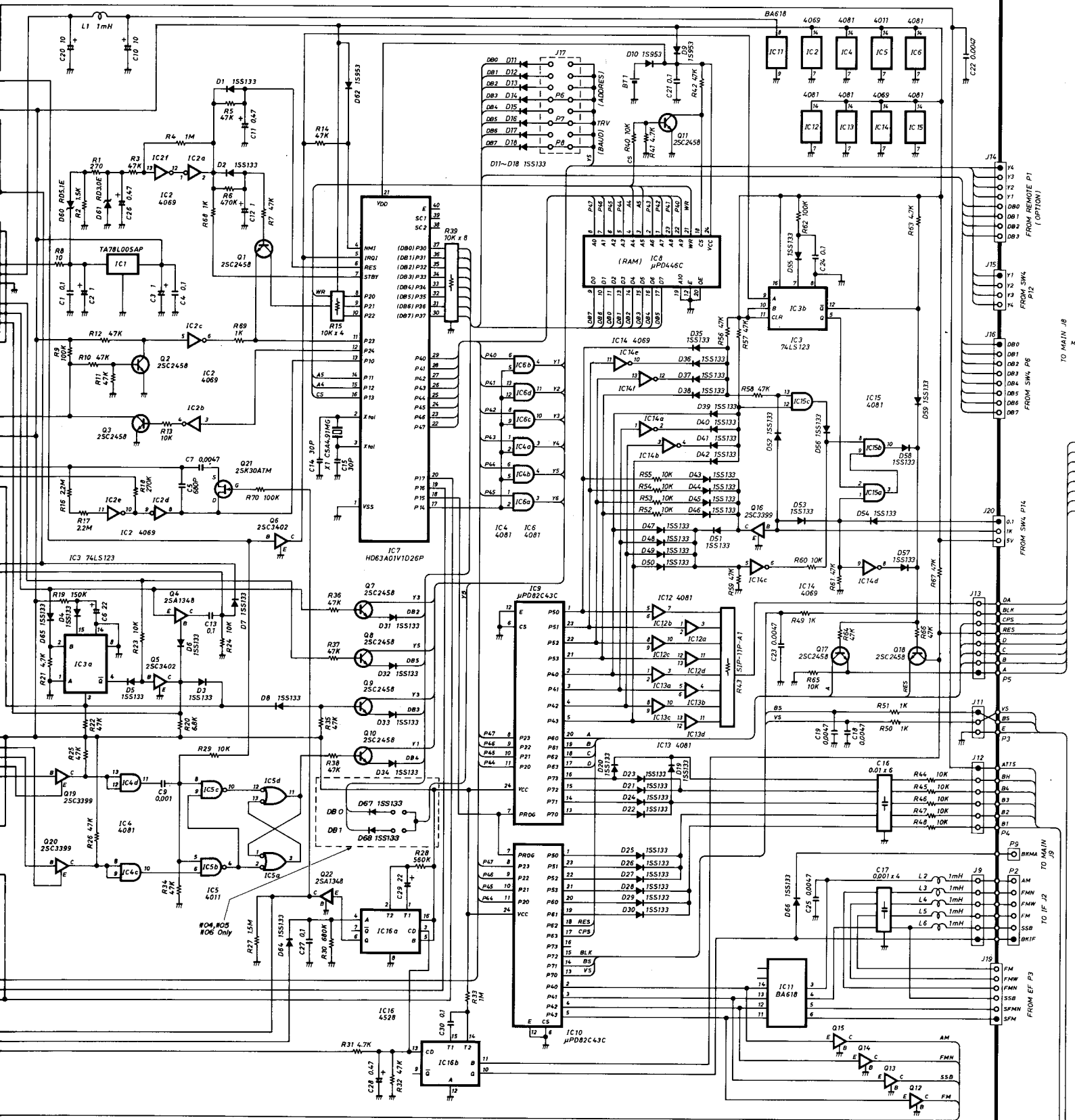
REF. NO.	DESCRIPTION	PART NO.
W1	Wire	68/99/160/C31/W99
W2	Wire	08 99
W3	Wire	23/00/180/A12/W02
W4	Wire	23/04/180/A12/W02
W5	Wire	23/01/330/C01/W02
W6	Wire	23/02/330/C01/W02
W7	Wire	23/03/330/C01/W02
W8	Wire	23/04/330/C01/W02
W9	Wire	23/05/330/C01/W02
W10	Wire	23/06/330/C01/W02
W11	Wire	23/07/330/C01/W02
W12	Wire	23/08/330/C01/W02
W13	Wire	23/03/270/C01/W02
W14	Wire	23/00/270/C01/W02
W15	Wire	23/04/270/C01/W02
W16	Wire	23/06/190/C01/W02
W17	Wire	23/00/190/C01/W02
W18	Wire	51/04/170/C01A/W11A
W19	Wire	08 A A
W20	Wire	23/08/240/C01/W02
W21	Wire	23/09/240/C01/W02
W22	Wire	61/99/410/C31/W11A
W23	Wire	08 A
W24	Wire	23/07/260/C32G/W02

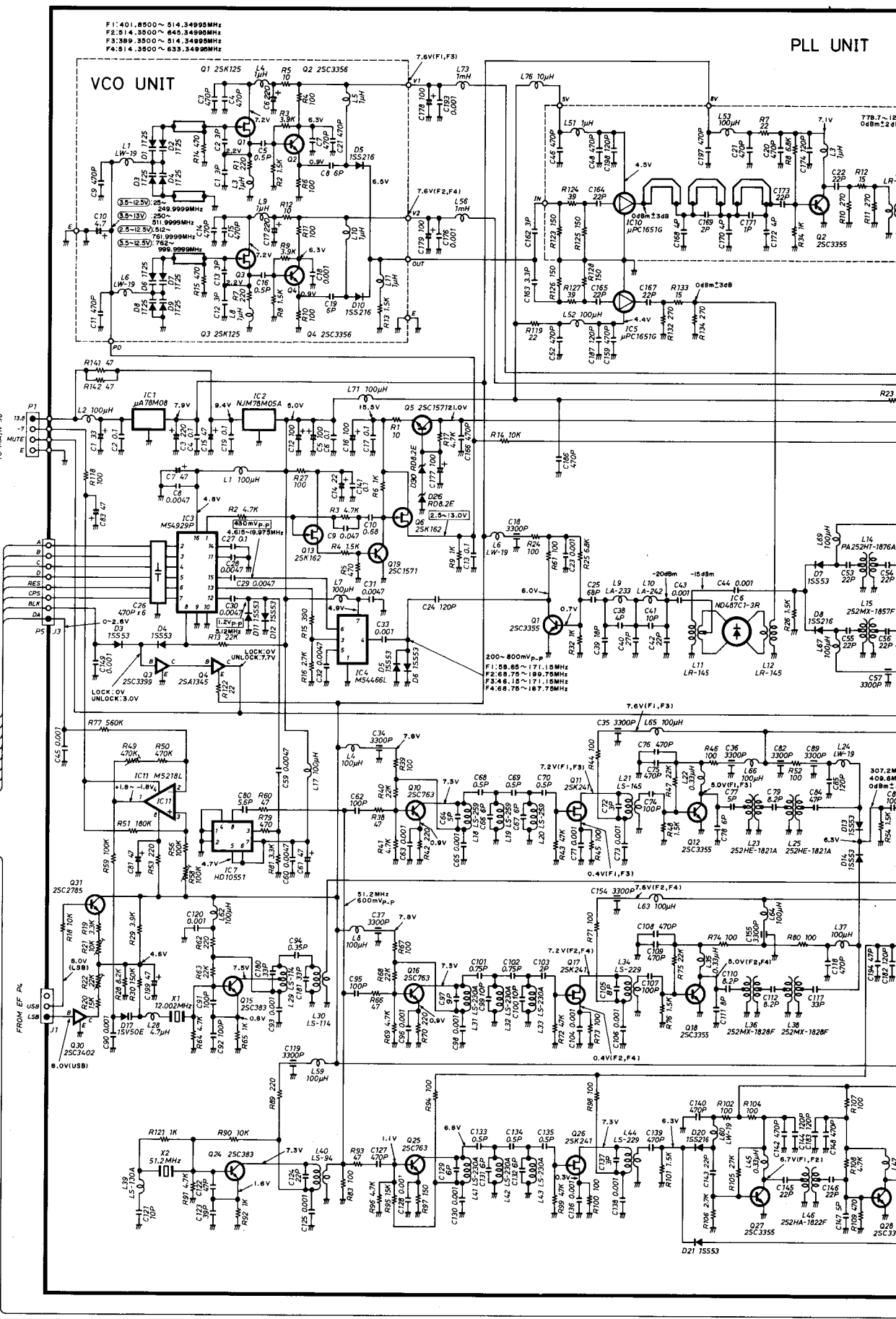
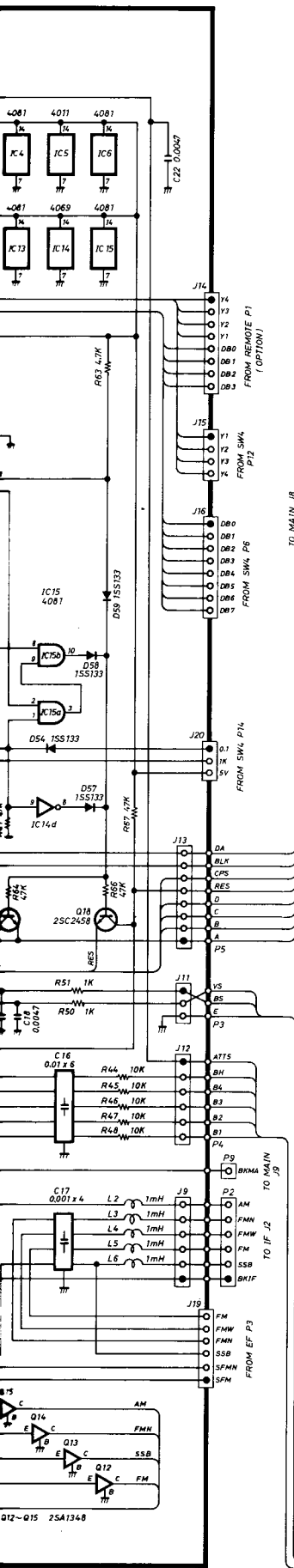
SECTION 9 VOLTAGE DIAGRAM

9-1 IC-R7000



LOGIC UNIT

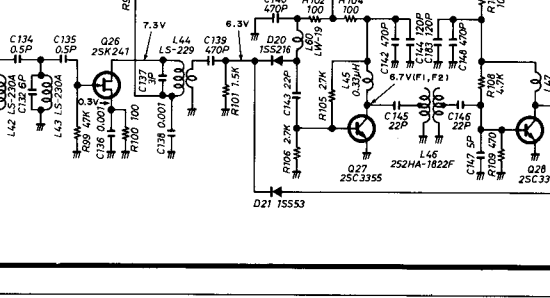
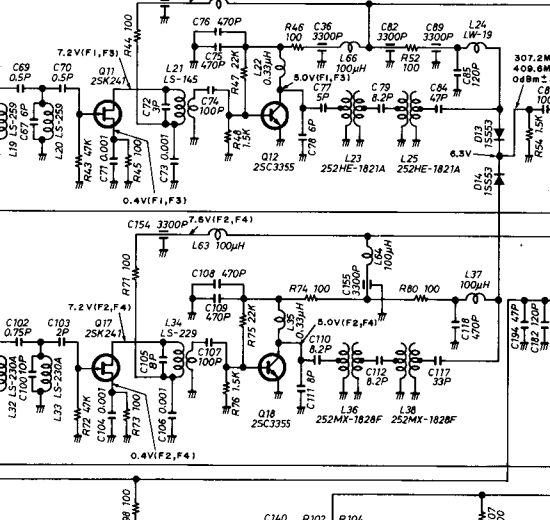
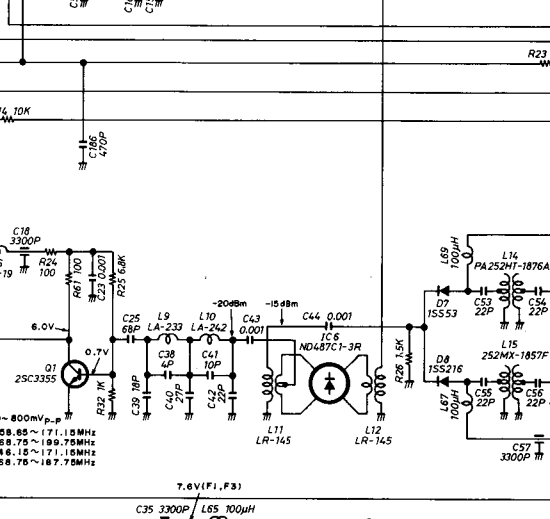
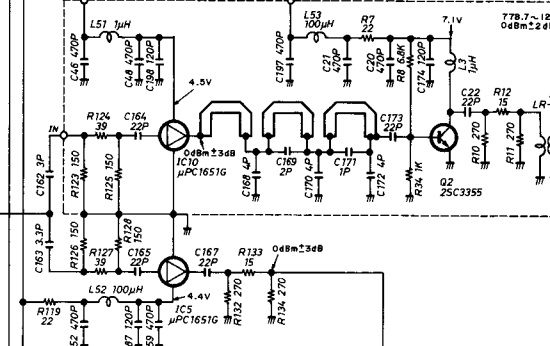
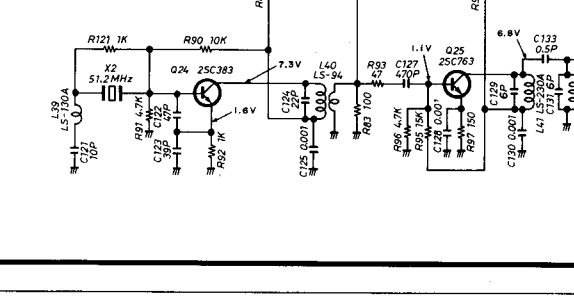
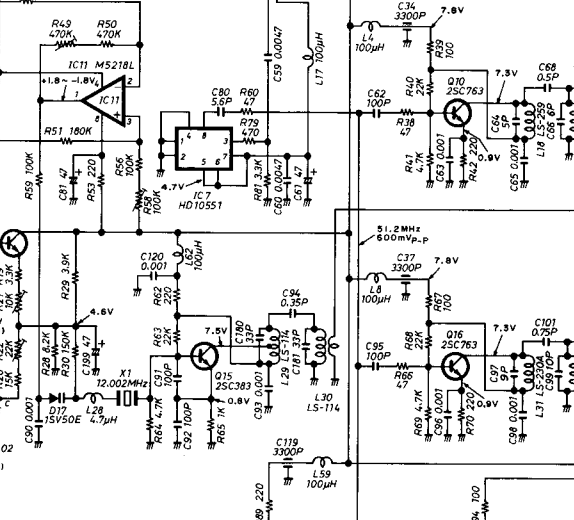
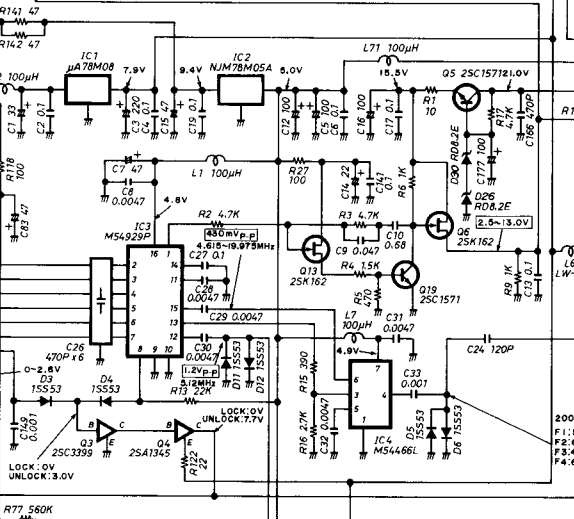
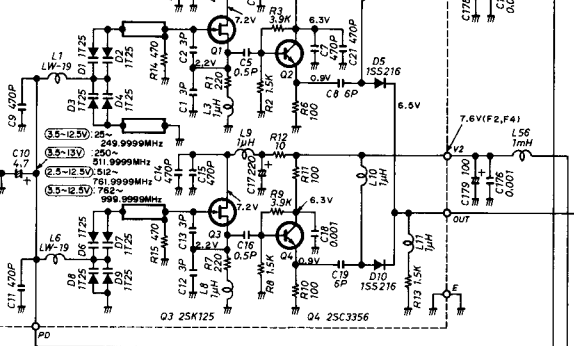
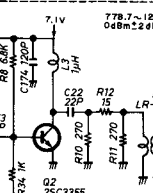




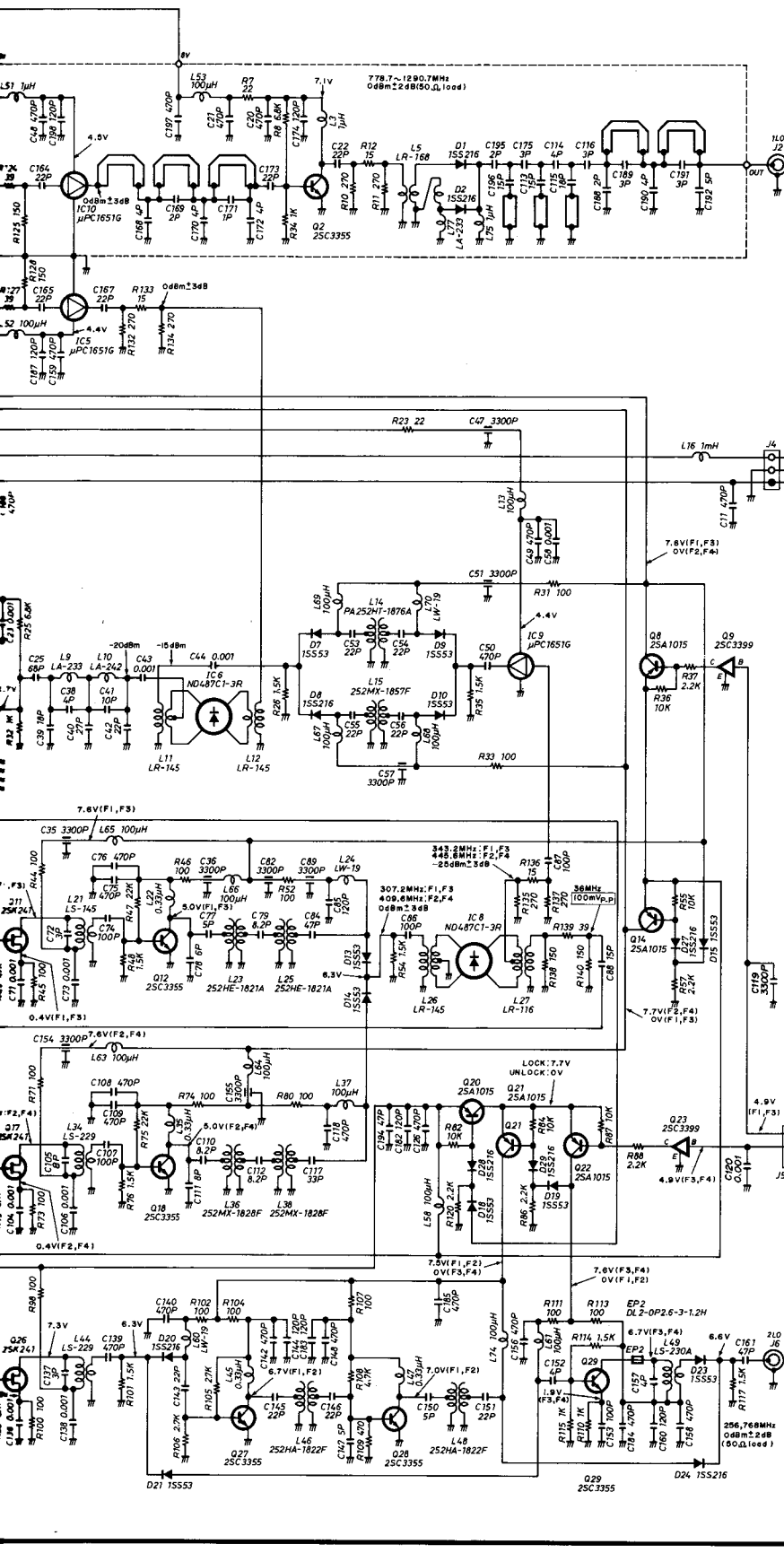
PLL UNIT

F1: 401.8500 ~ 514.34990MHz
 F2: 514.3500 ~ 645.34990MHz
 F3: 389.3500 ~ 514.34990MHz
 F4: 514.3500 ~ 633.34990MHz

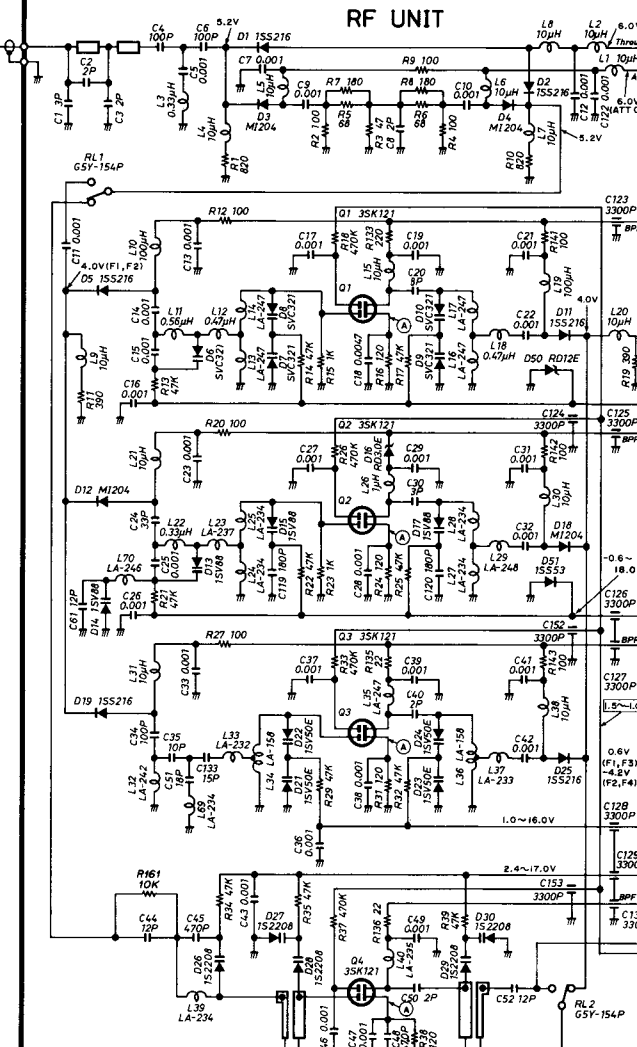
VCO UNIT



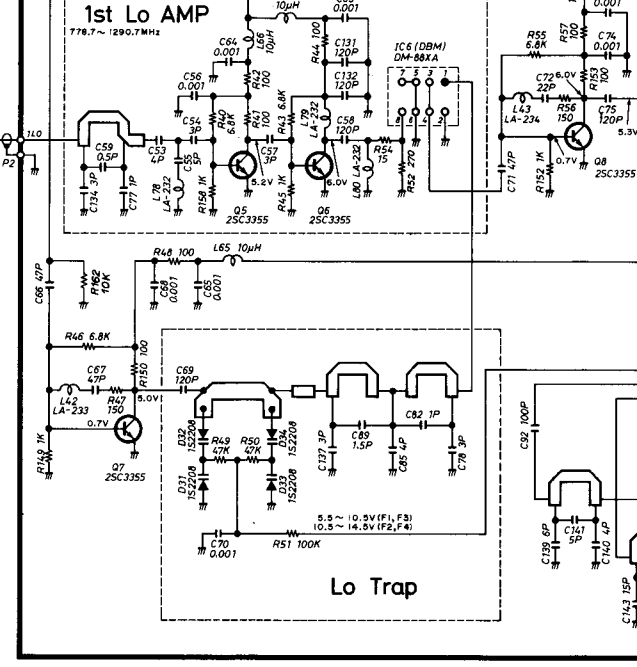
PLL UNIT



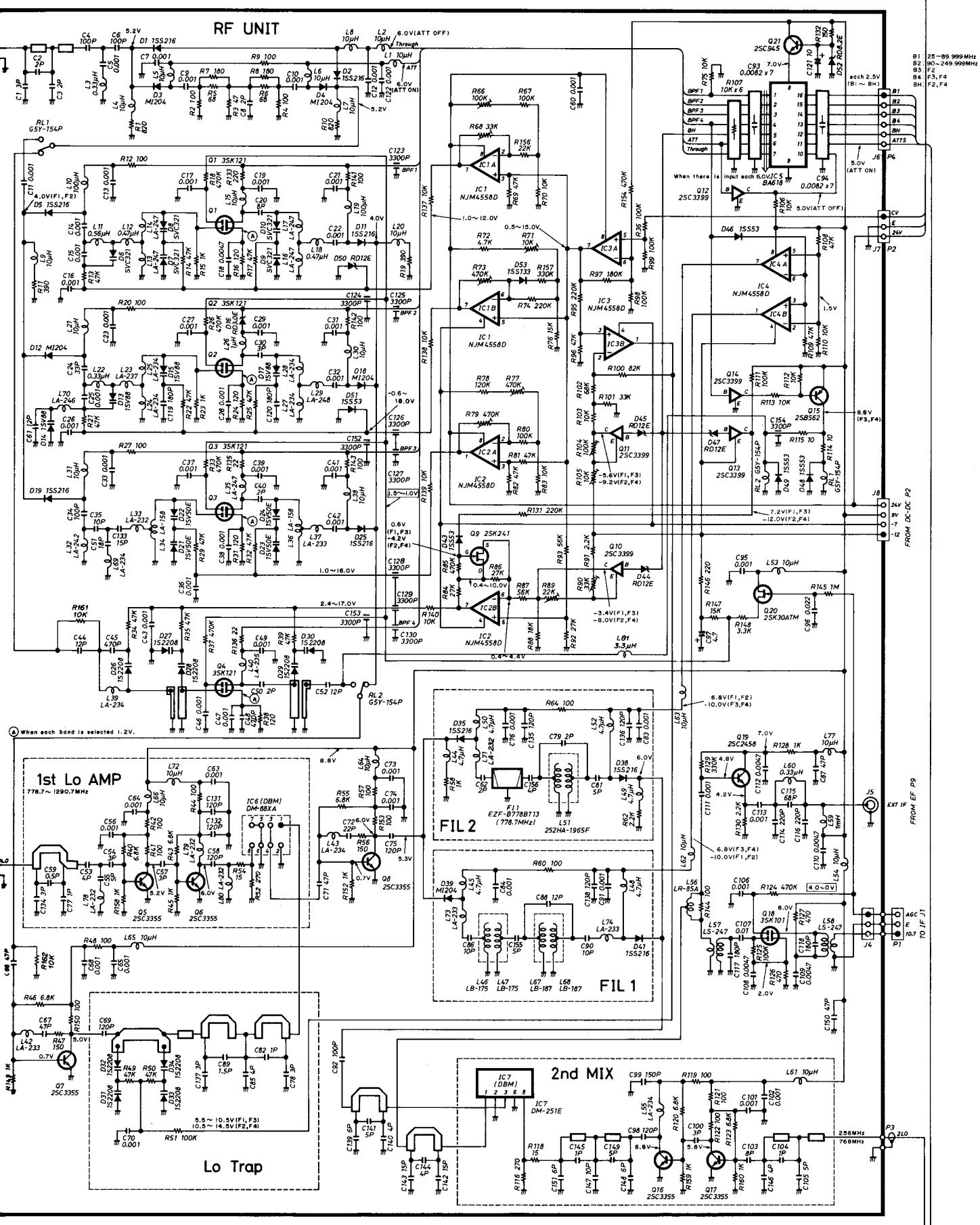
RF UNIT



1st Lo AMP



Lo Trap



B1 25~89.999MHz
 B2 90~249.999MHz
 B3 F3, F4
 B4 F3, F4
 B5 F3, F4

When each band is selected 1.2V.

FROM EF P9

TO JF J1

(SPEECH ~ MAIN)

(LOGIC ~ EF)

(LOGIC ~ IF)

(LOGIC ~ RF)

(LOGIC ~ PLL)

(LOGIC ~ MAIN)

(LOGIC ~ MAIN)

VOICE SYNTHESIZER UNIT
(OPTION: MODEL NO. IC-EX310)

WIRELESS REMOTE CONTROLLER
(OPTION: MODEL NO. RC-12)

LOGIC UNIT

FRONT (SW2) UNIT

DISPLAY UNIT

METER

FRONT (SW1) UNIT

SENSOR

FRONT (SW3) UNIT

KEY BOARD UNIT

1	2	3
3.2V	1.4V	0.2V

When D28 receives infrared ray command.
Pin 1 3.2V
Pin 2 0.2V
Pin 3 1.4V
Pin 4 0.3V
approx. 33kHz

S26 POWER

PHONES

REC

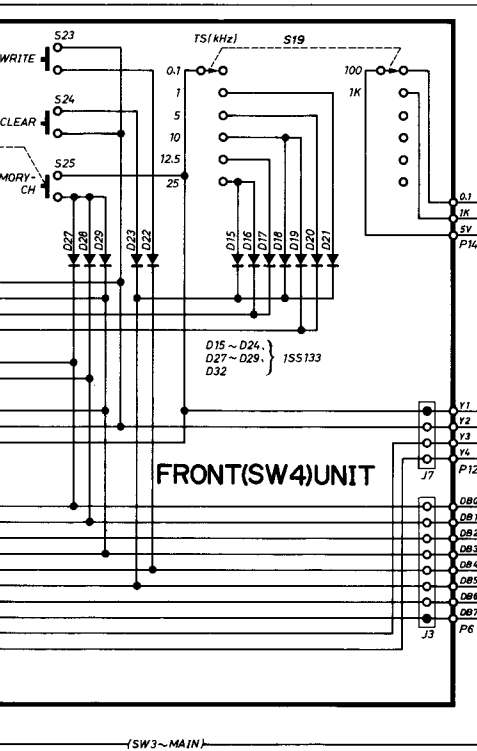
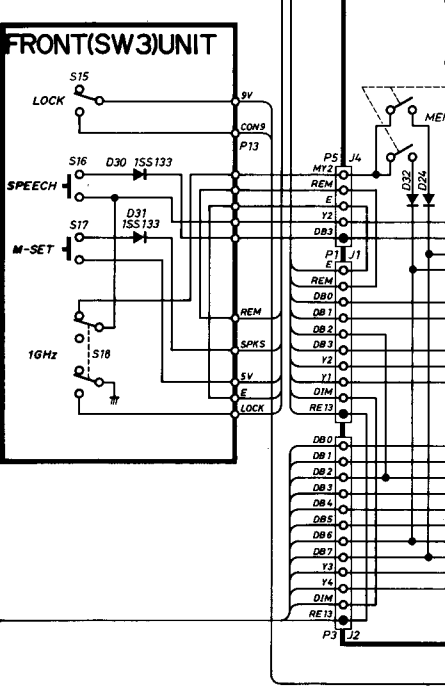
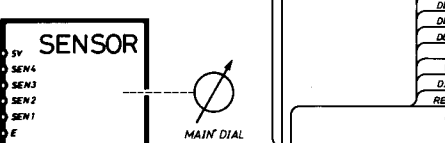
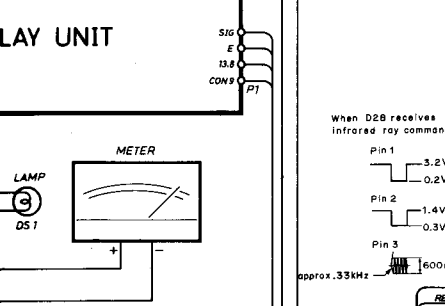
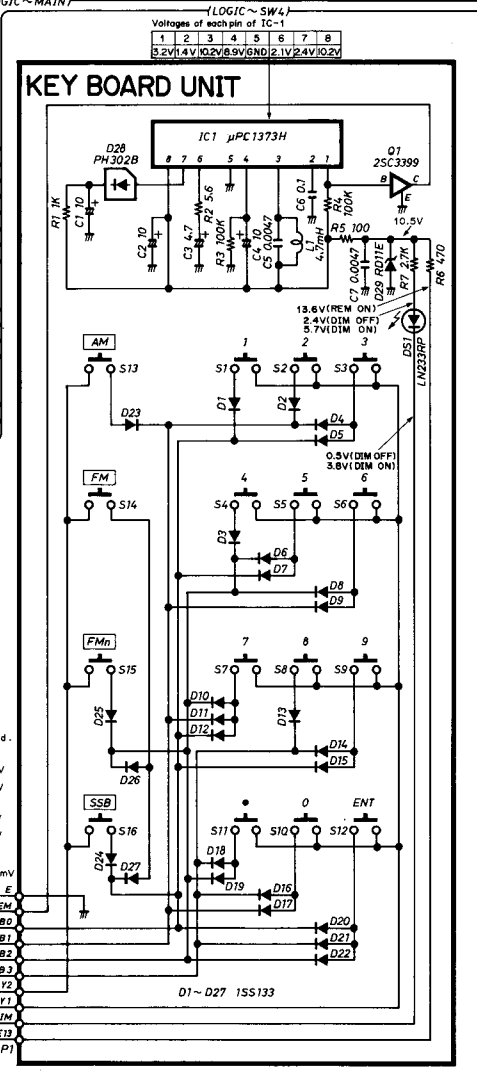
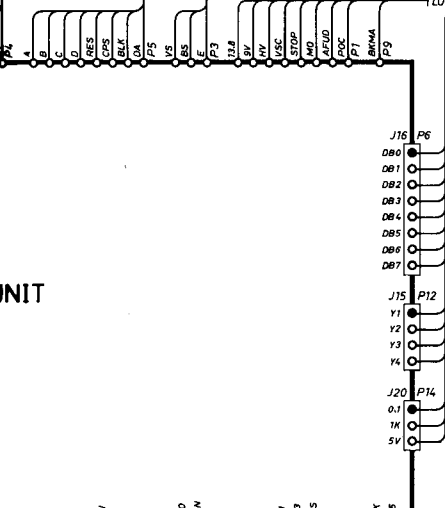
AF GAIN

FRONT (SW2) UNIT

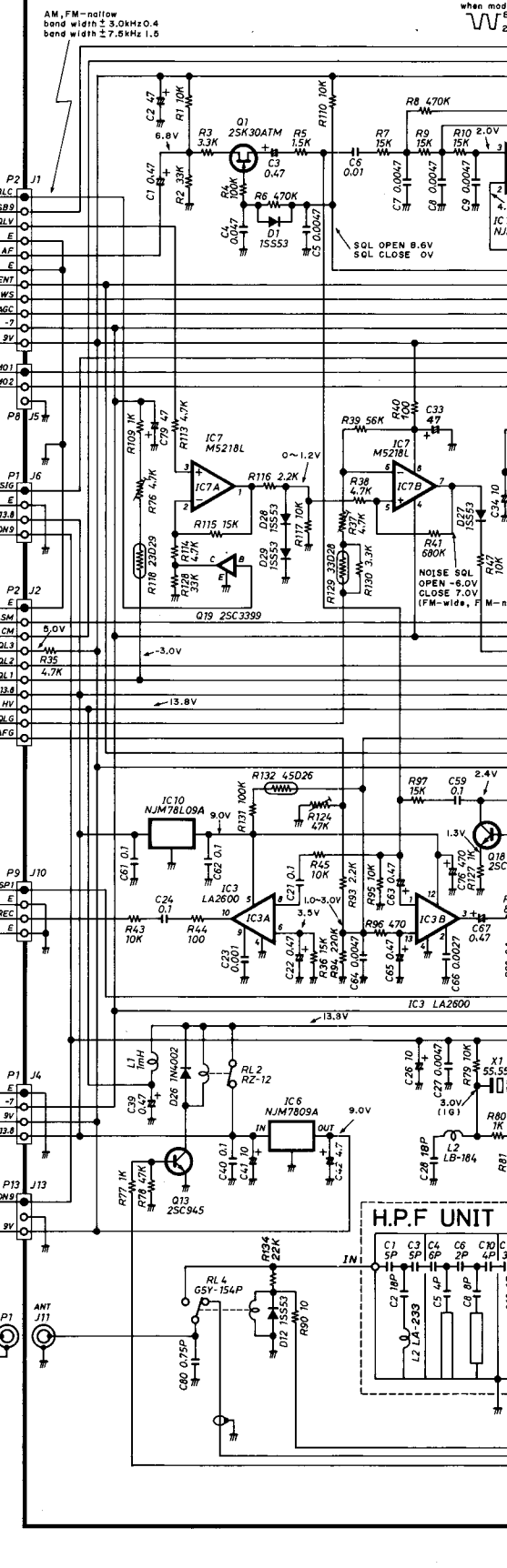
(SW3 ~ MAIN)

(SW1 ~ IF)

(LOGIC ~ RF) (LOGIC ~ PLL) (LOGIC ~ MAIN)



(MAIN ~ IF) when mod W2

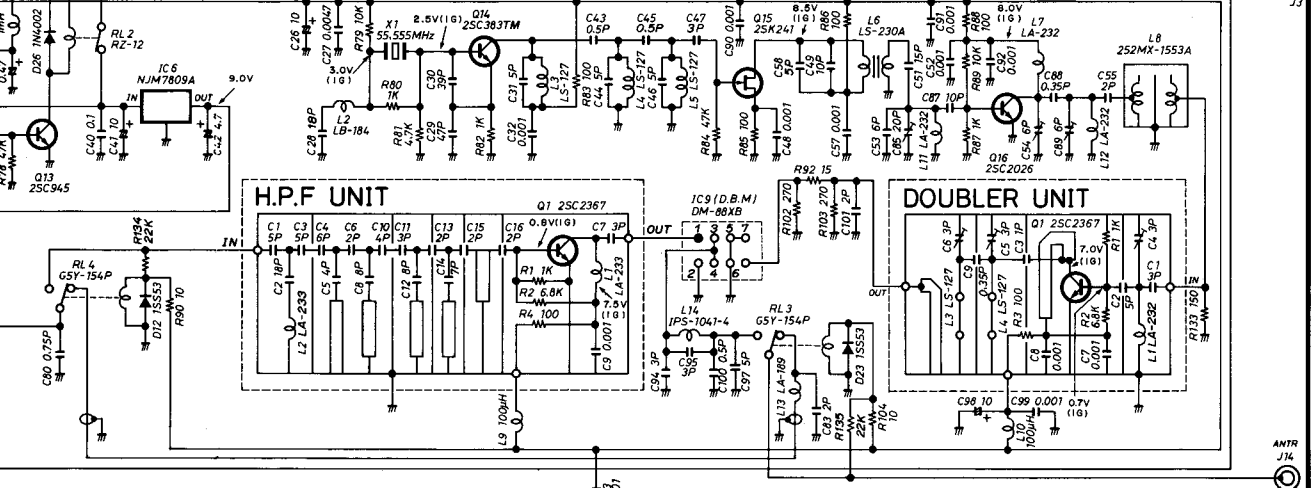
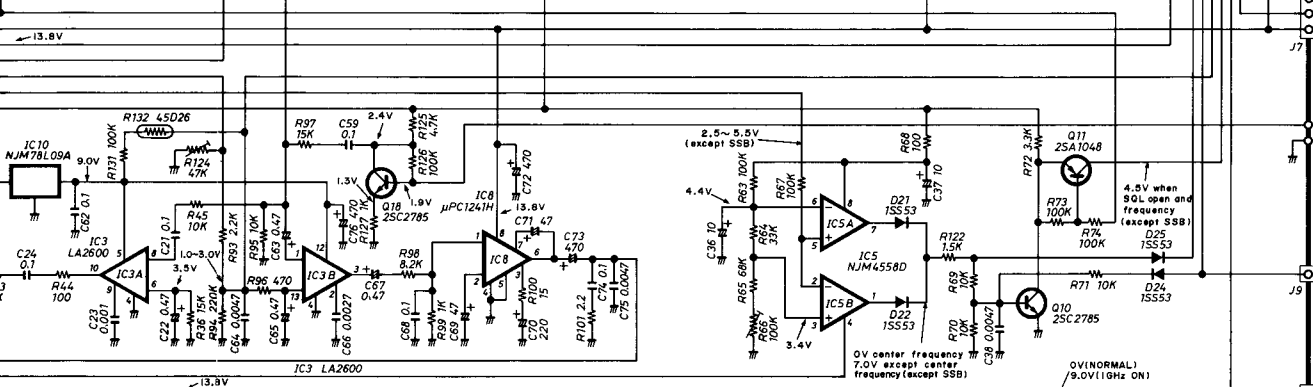
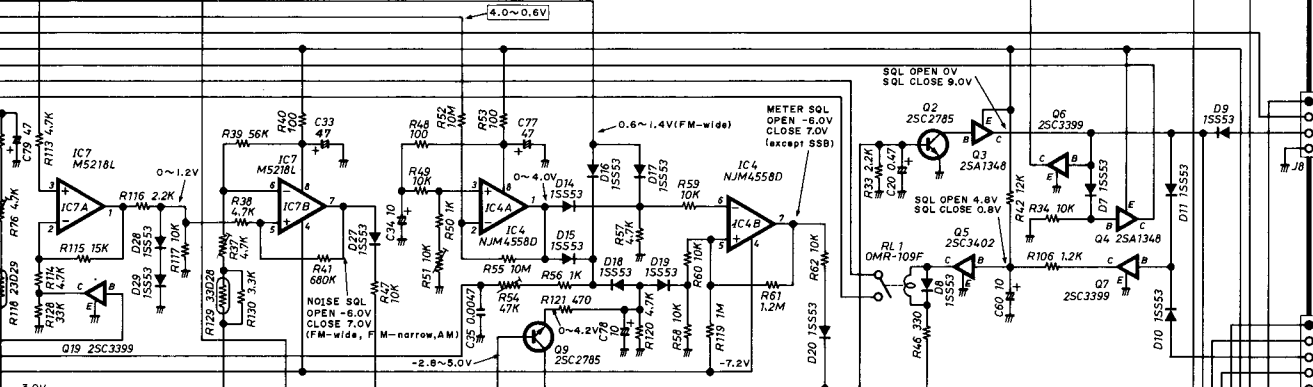
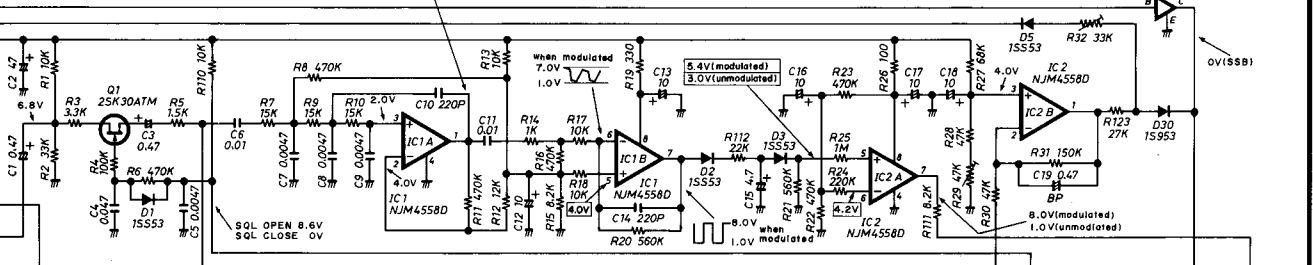


(SW1 ~ IF)

(MAIN ~ DC-DC) (MAIN ~ EF)

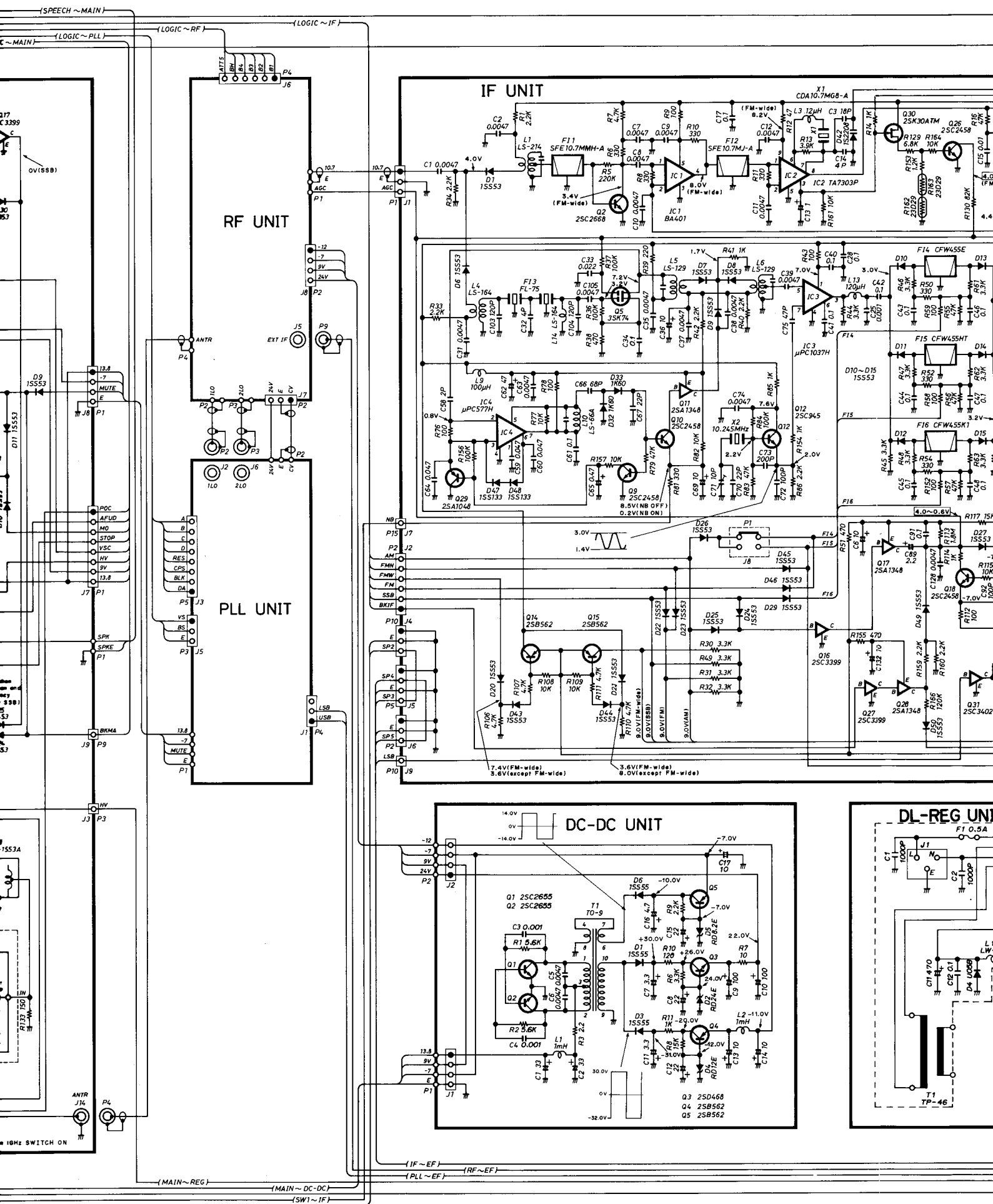
MAIN UNIT

when modulated
8.0V
2.0V



* (IG): When 1GHz SWITCH ON





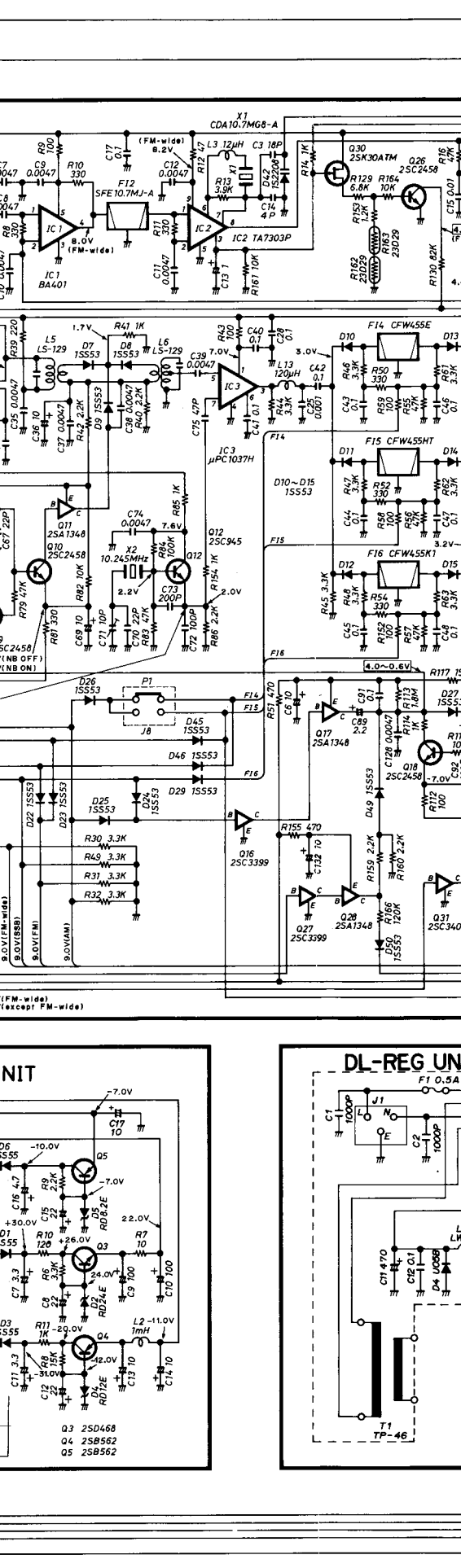
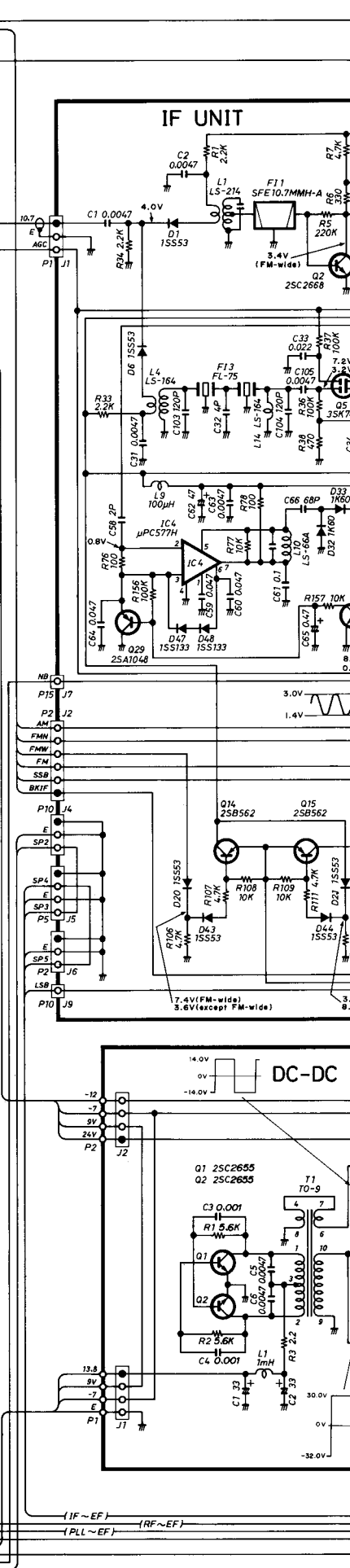
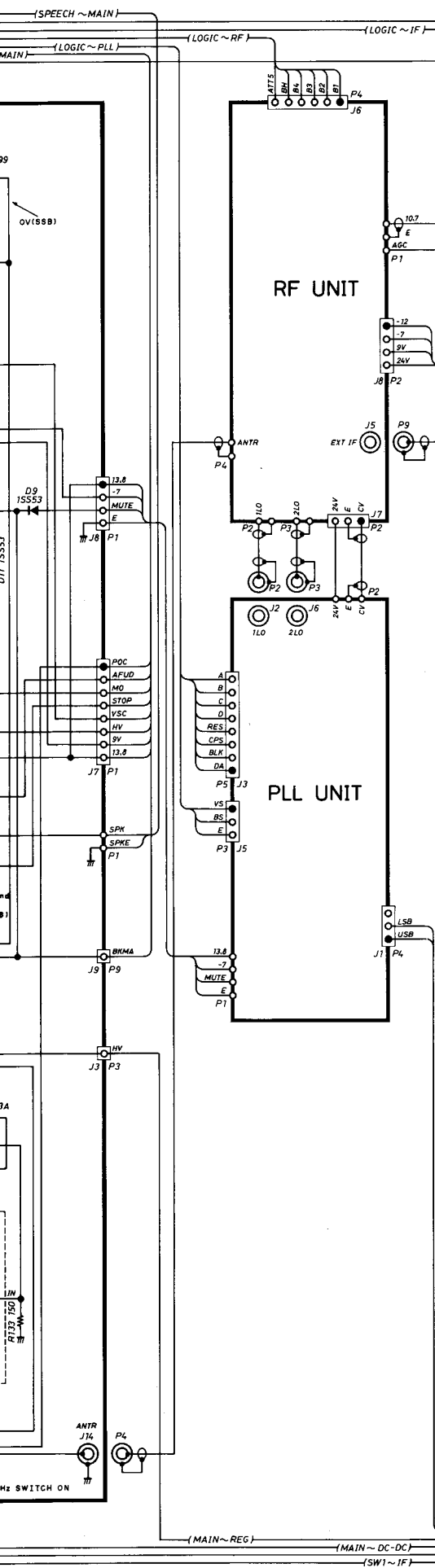
RF UNIT

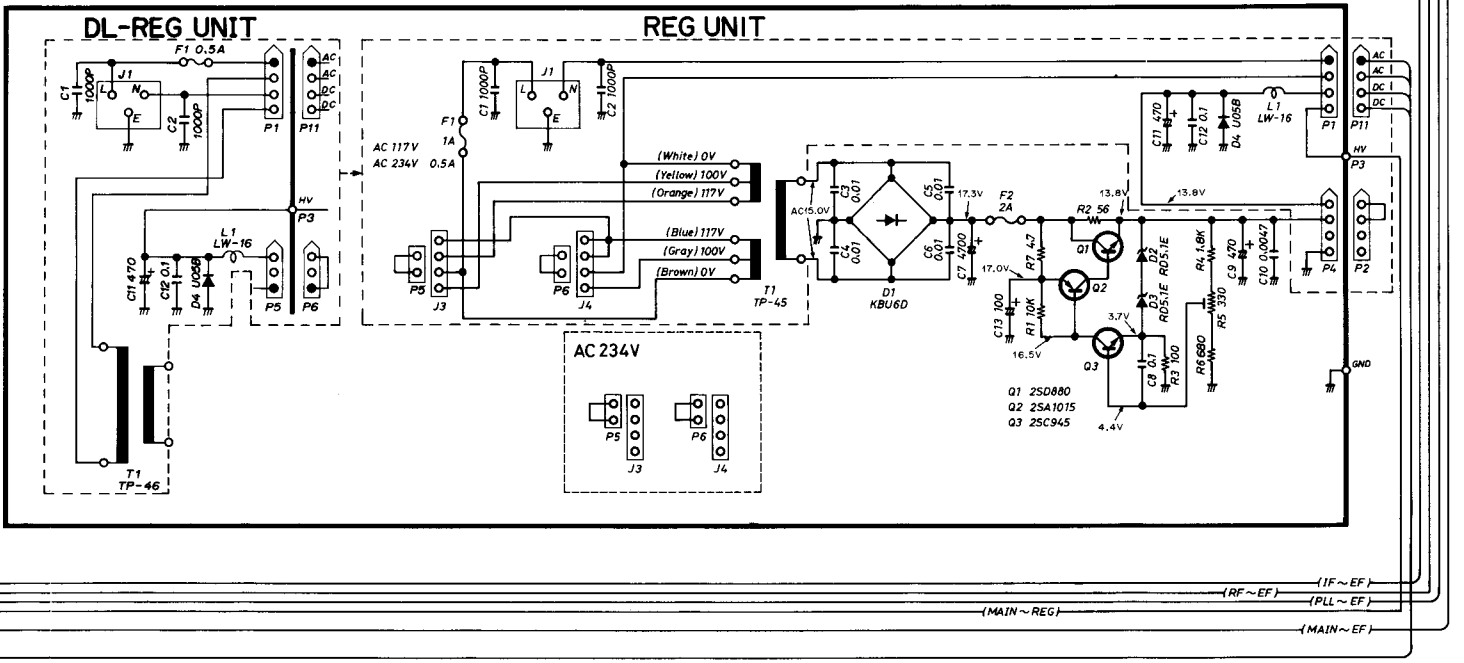
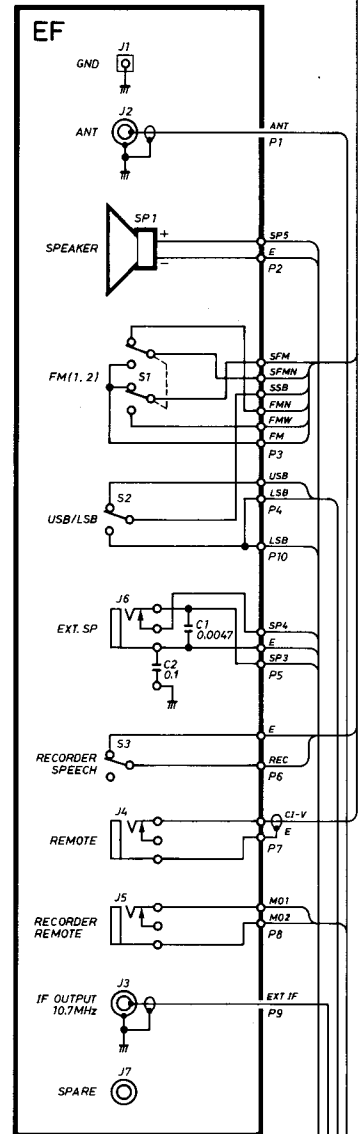
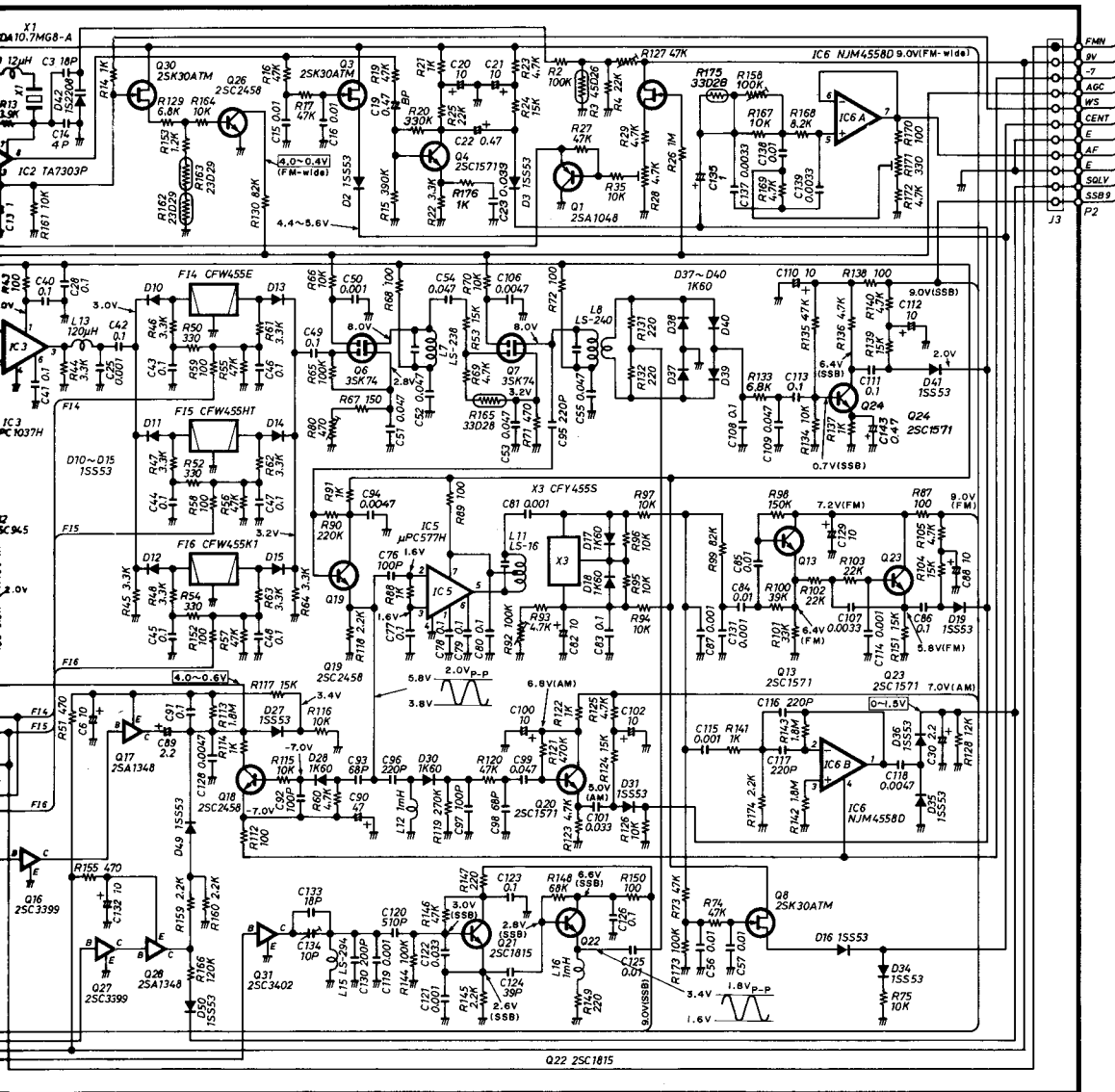
IF UNIT

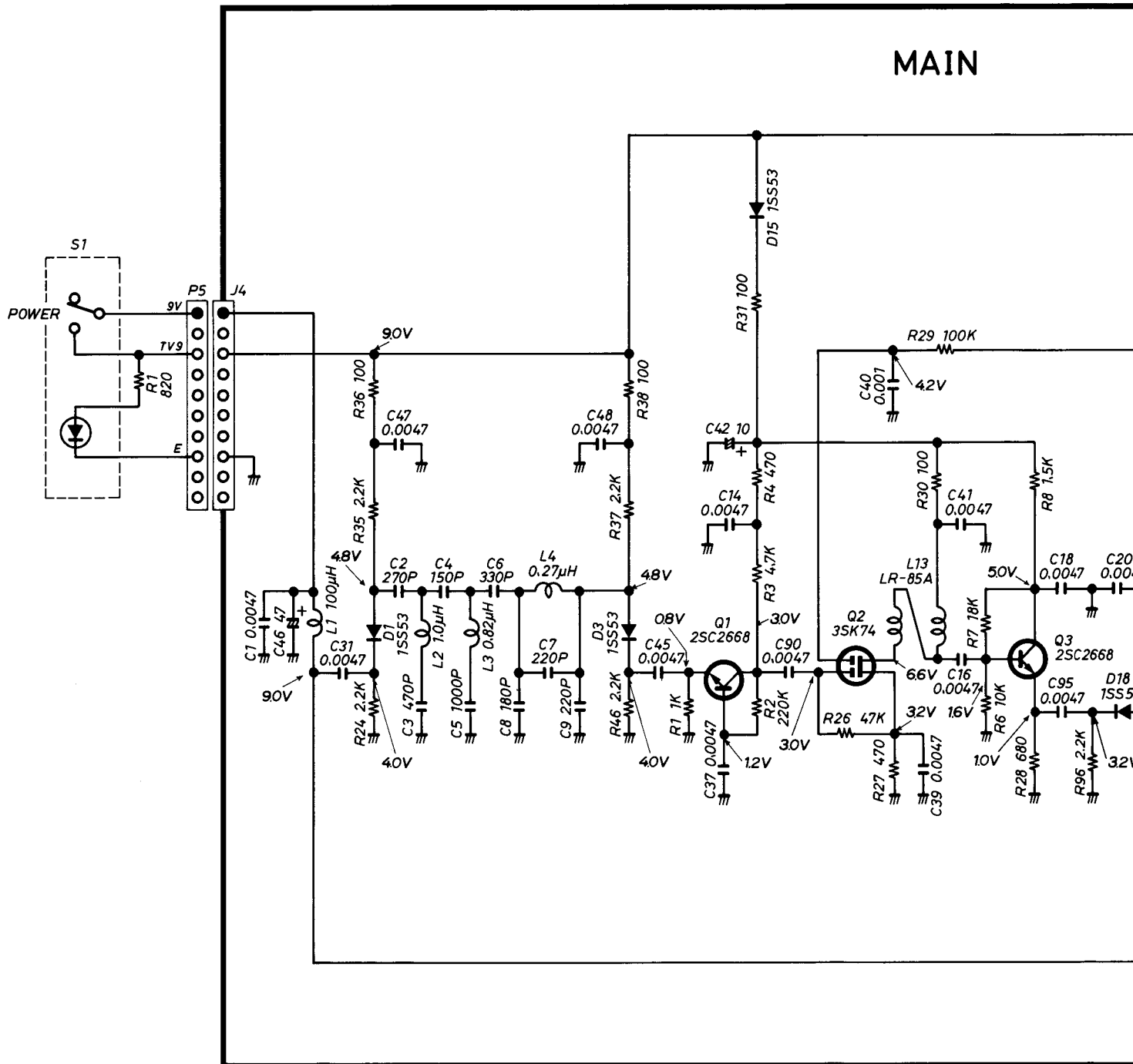
PLL UNIT

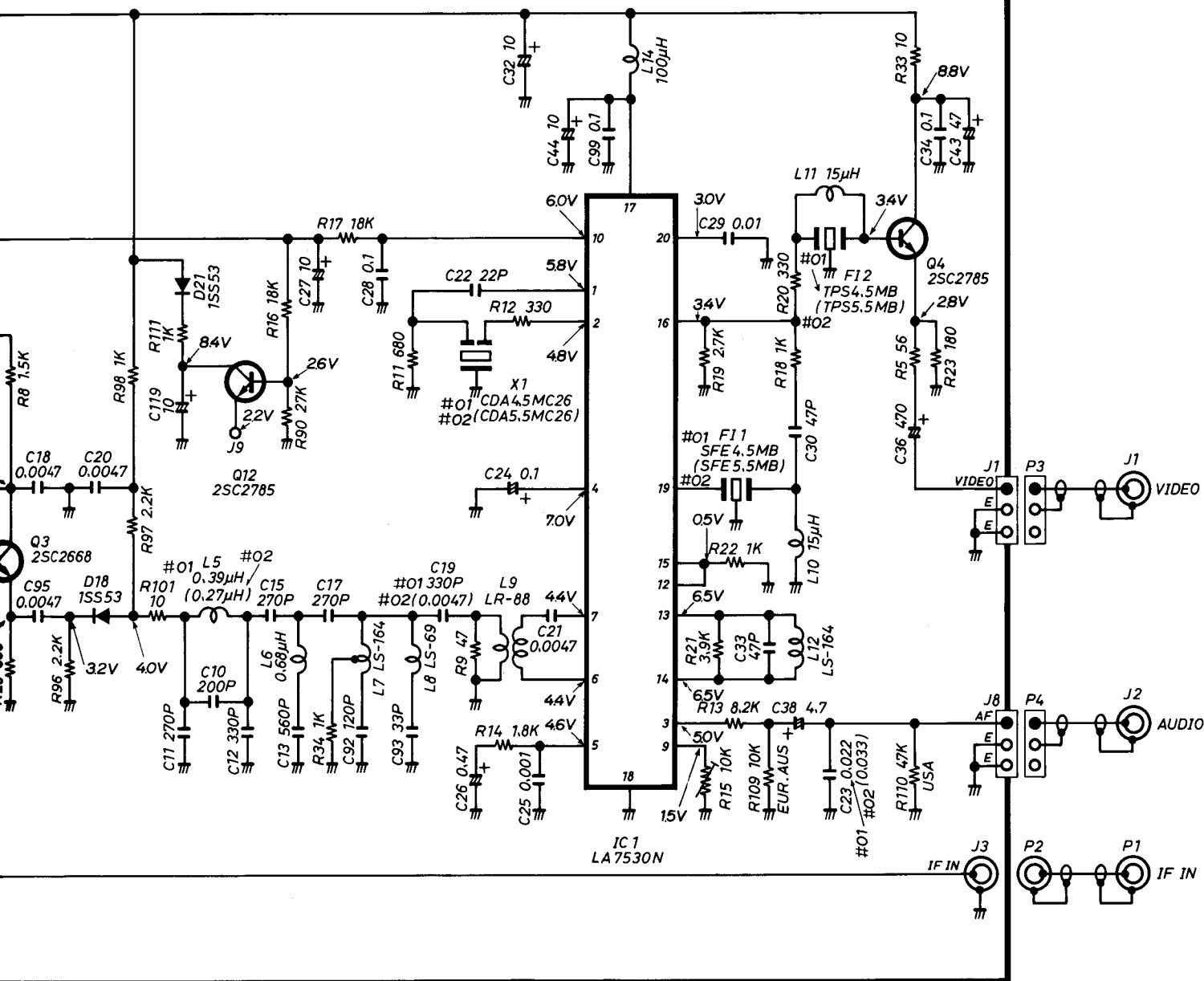
DC-DC UNIT

DL-REG UNIT





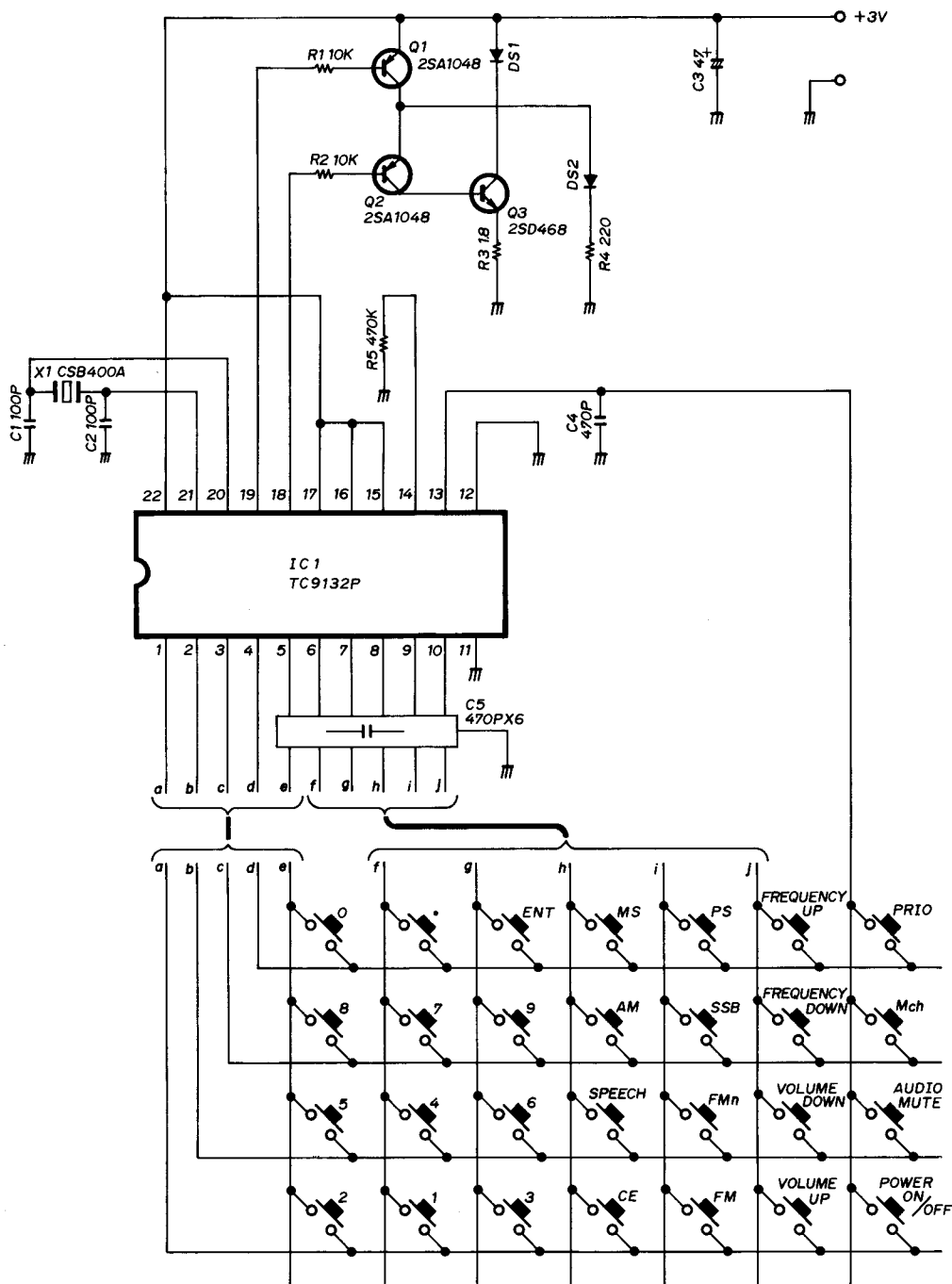




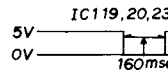
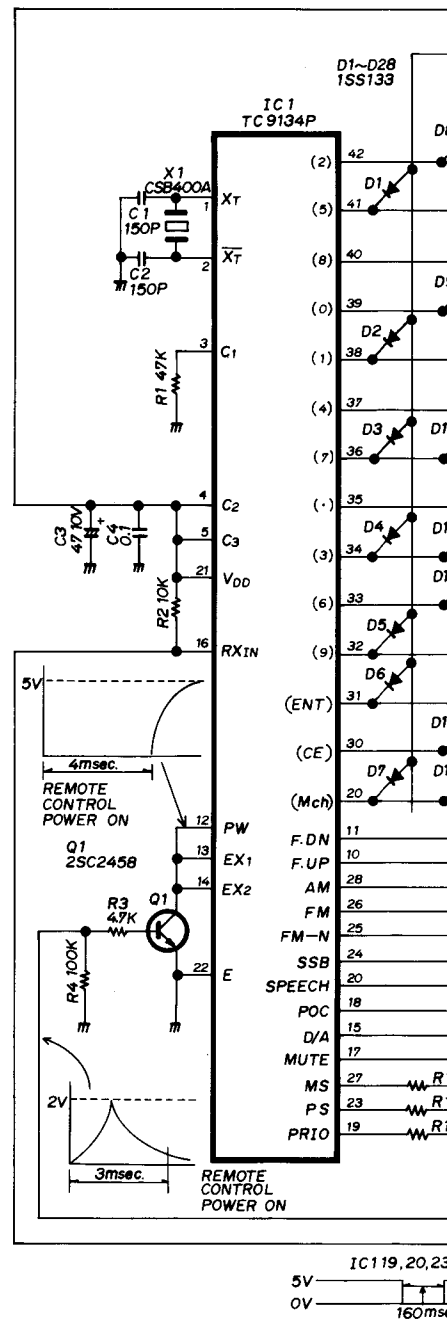
CODE NO.	VERSION	VIDEO CARRIER INPUT FREQUENCY	AUDIO INTERMEDIATE FREQUENCY
#01	U.S.A.	15.2MHz	4.5MHz
#02	EUROPE AND AUSTRALIA	16.2MHz	5.5MHz

9-3 RC-12 (OPTION)

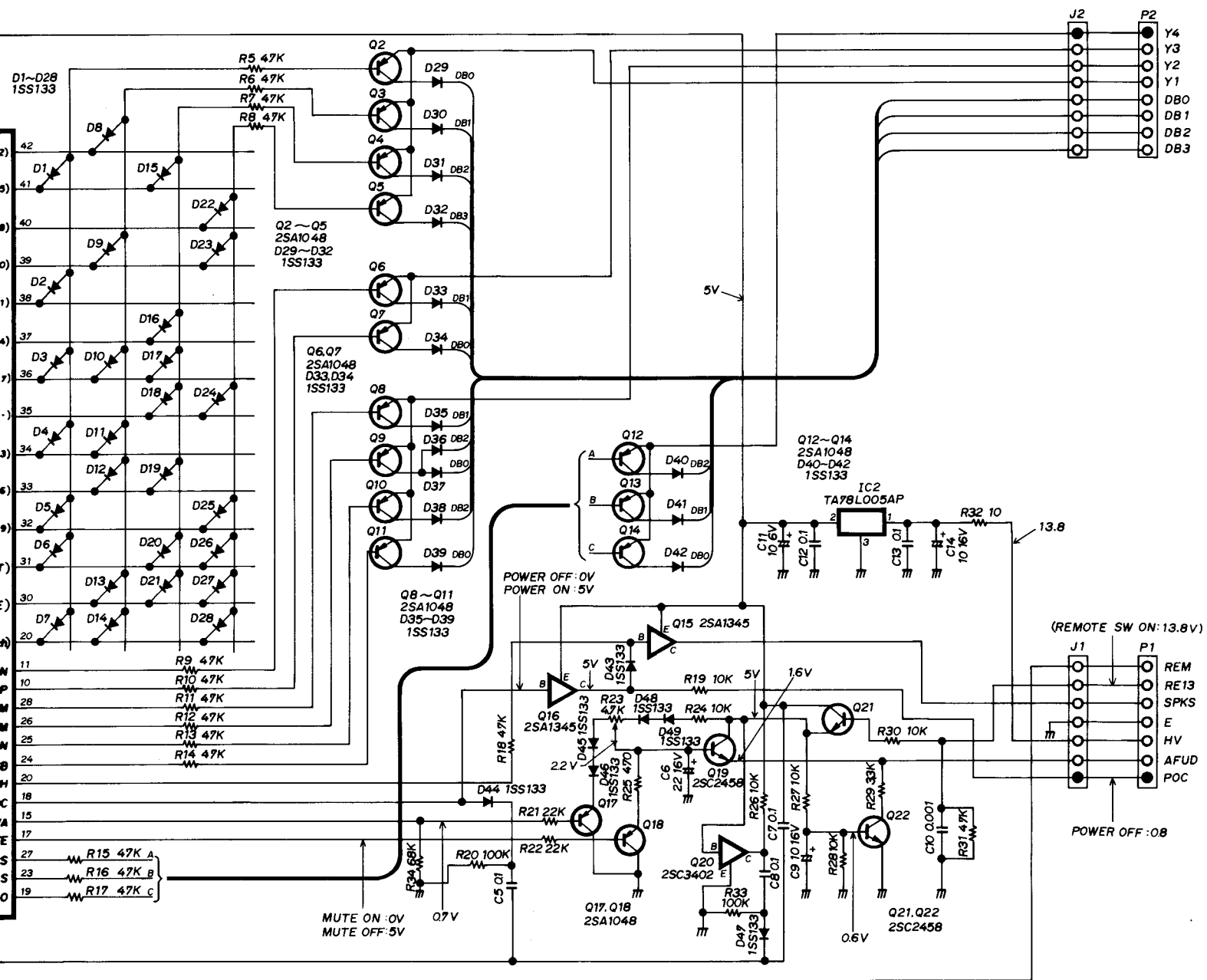
• TRANSMITTER UNIT



• CONTROLLER UNIT

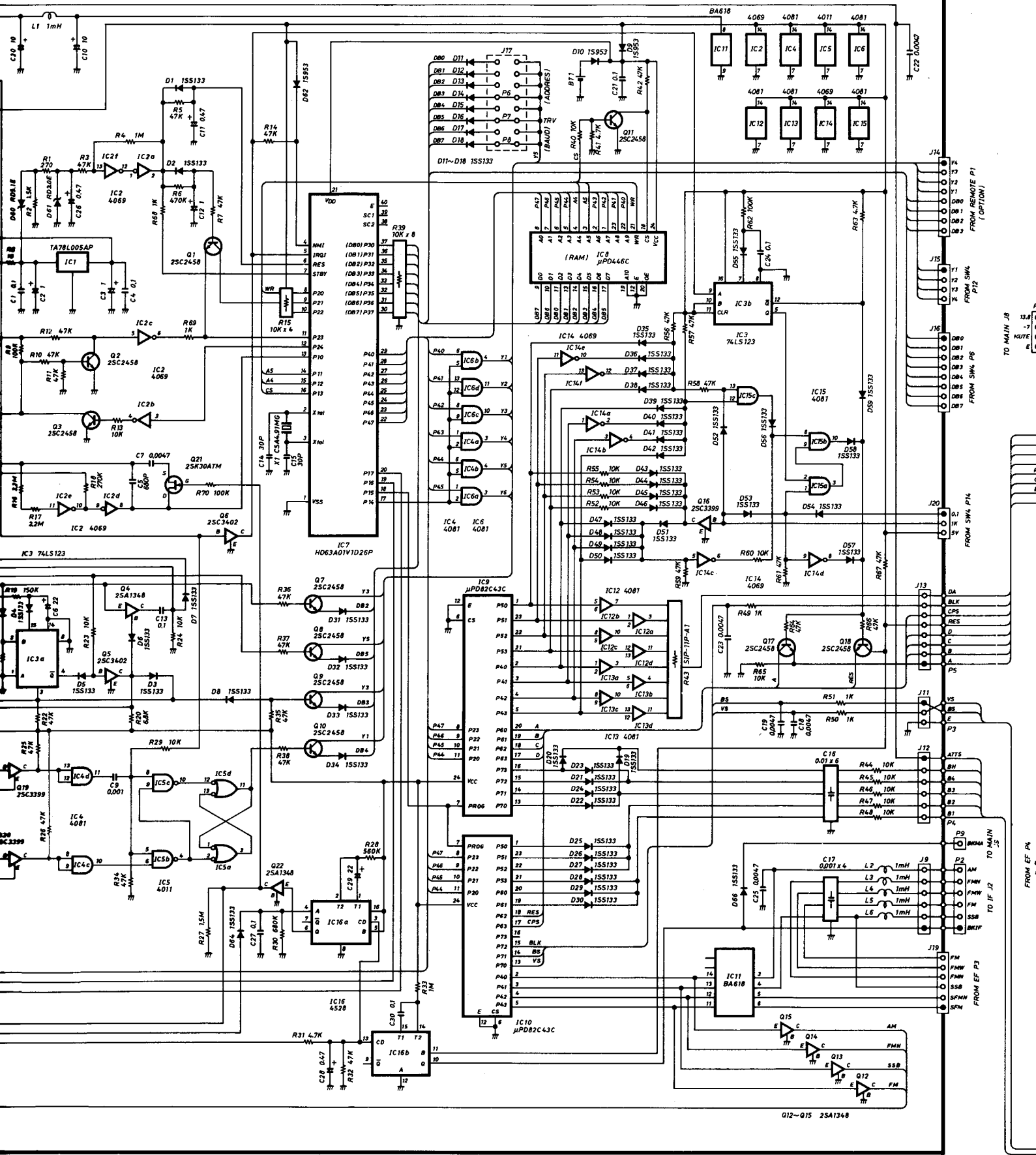


T



SCHEMATIC DIAGRAM

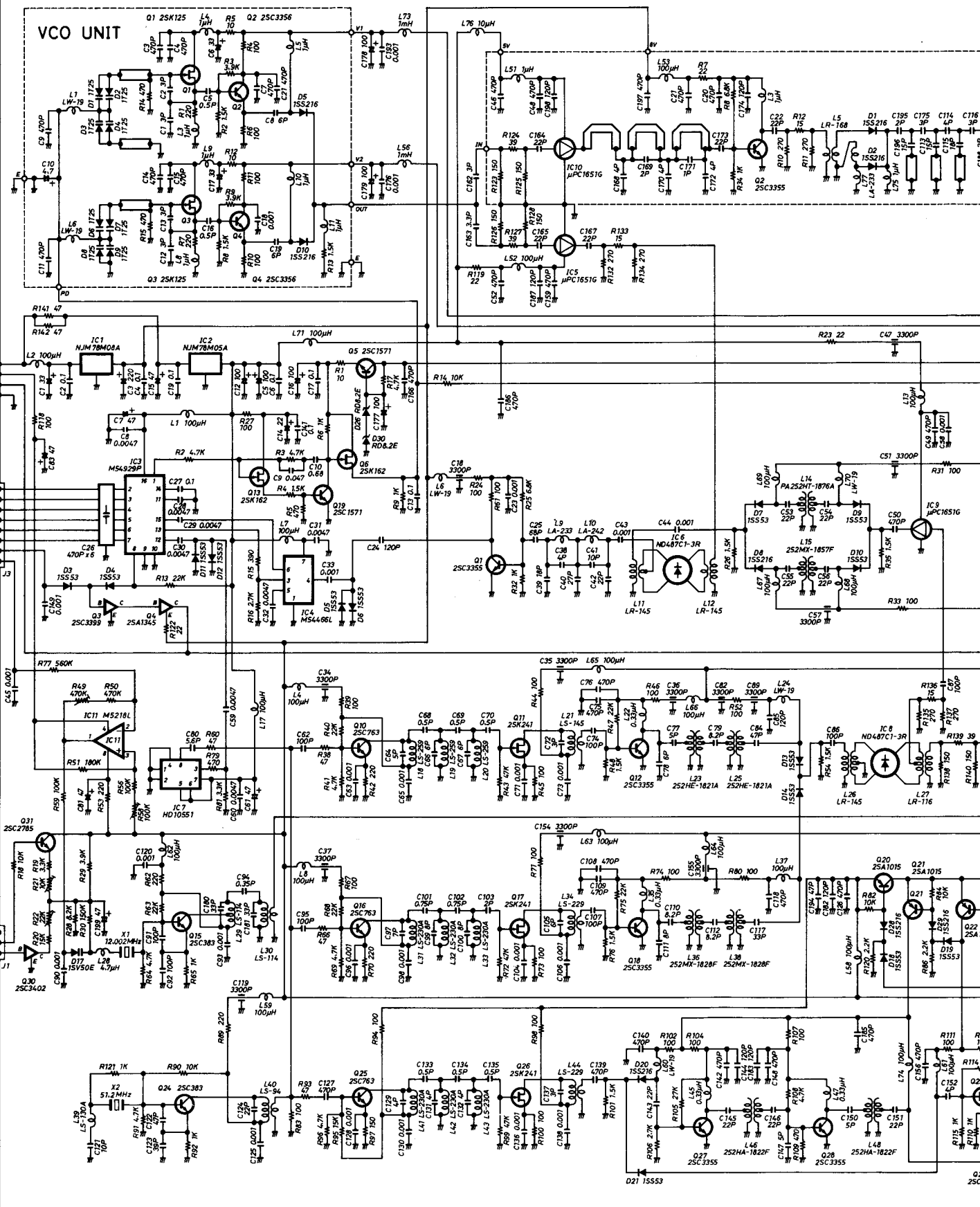
LOGIC UNIT



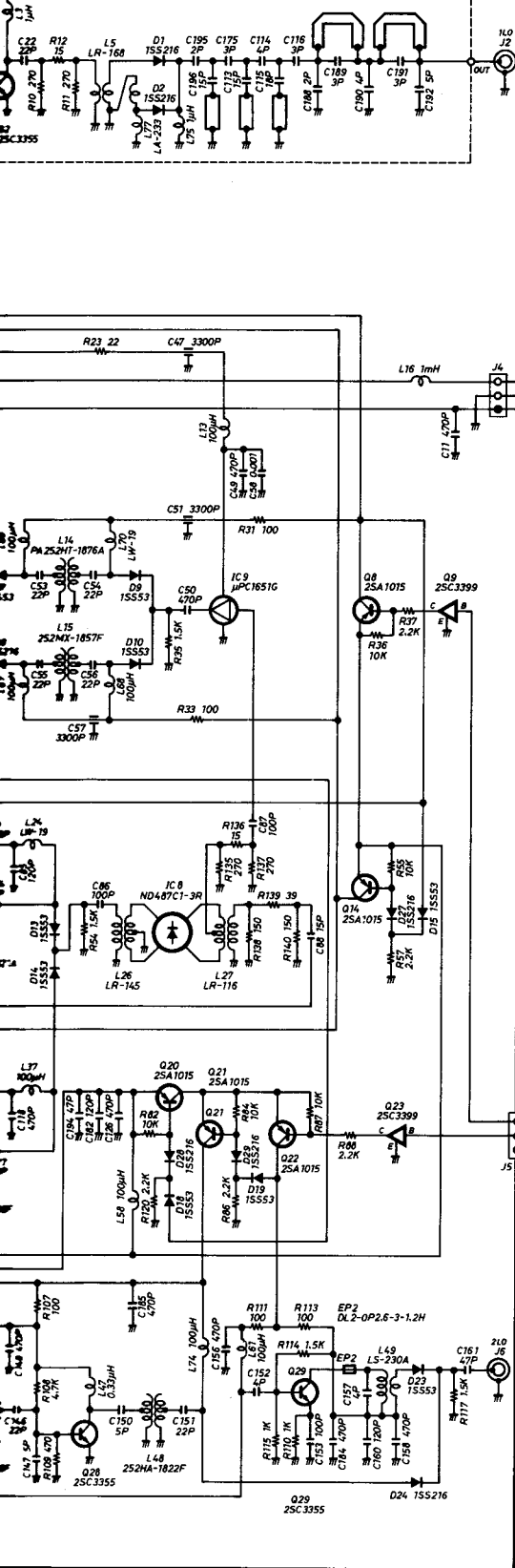
PLL UNIT

VCO UNIT

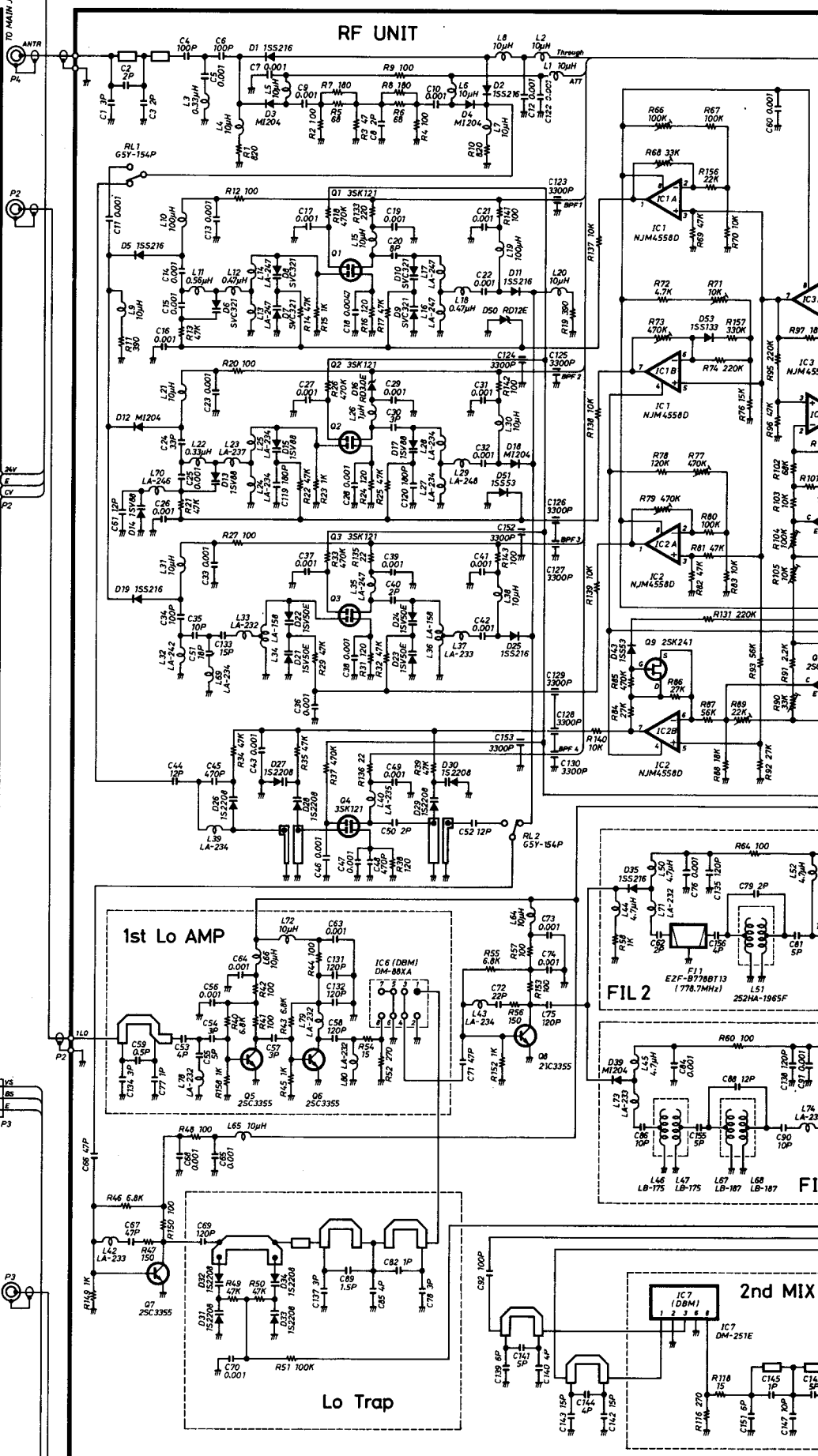
FROM MAIN J8
FROM MAIN J9
FROM MAIN J10
FROM MAIN J11
FROM MAIN J12
FROM MAIN J13
FROM MAIN J14
FROM MAIN J15
FROM MAIN J16
FROM MAIN J17
FROM MAIN J18
FROM MAIN J19
FROM MAIN J20
FROM MAIN J21
FROM MAIN J22
FROM MAIN J23
FROM MAIN J24
FROM MAIN J25
FROM MAIN J26
FROM MAIN J27
FROM MAIN J28
FROM MAIN J29
FROM MAIN J30
FROM MAIN J31
FROM MAIN J32
FROM MAIN J33
FROM MAIN J34
FROM MAIN J35
FROM MAIN J36
FROM MAIN J37
FROM MAIN J38
FROM MAIN J39
FROM MAIN J40
FROM MAIN J41
FROM MAIN J42
FROM MAIN J43
FROM MAIN J44
FROM MAIN J45
FROM MAIN J46
FROM MAIN J47
FROM MAIN J48
FROM MAIN J49
FROM MAIN J50
FROM MAIN J51
FROM MAIN J52
FROM MAIN J53
FROM MAIN J54
FROM MAIN J55
FROM MAIN J56
FROM MAIN J57
FROM MAIN J58
FROM MAIN J59
FROM MAIN J60
FROM MAIN J61
FROM MAIN J62
FROM MAIN J63
FROM MAIN J64
FROM MAIN J65
FROM MAIN J66
FROM MAIN J67
FROM MAIN J68
FROM MAIN J69
FROM MAIN J70
FROM MAIN J71
FROM MAIN J72
FROM MAIN J73
FROM MAIN J74
FROM MAIN J75
FROM MAIN J76
FROM MAIN J77
FROM MAIN J78
FROM MAIN J79
FROM MAIN J80
FROM MAIN J81
FROM MAIN J82
FROM MAIN J83
FROM MAIN J84
FROM MAIN J85
FROM MAIN J86
FROM MAIN J87
FROM MAIN J88
FROM MAIN J89
FROM MAIN J90
FROM MAIN J91
FROM MAIN J92
FROM MAIN J93
FROM MAIN J94
FROM MAIN J95
FROM MAIN J96
FROM MAIN J97
FROM MAIN J98
FROM MAIN J99
FROM MAIN J100



UNIT



RF UNIT



1st Lo AMP

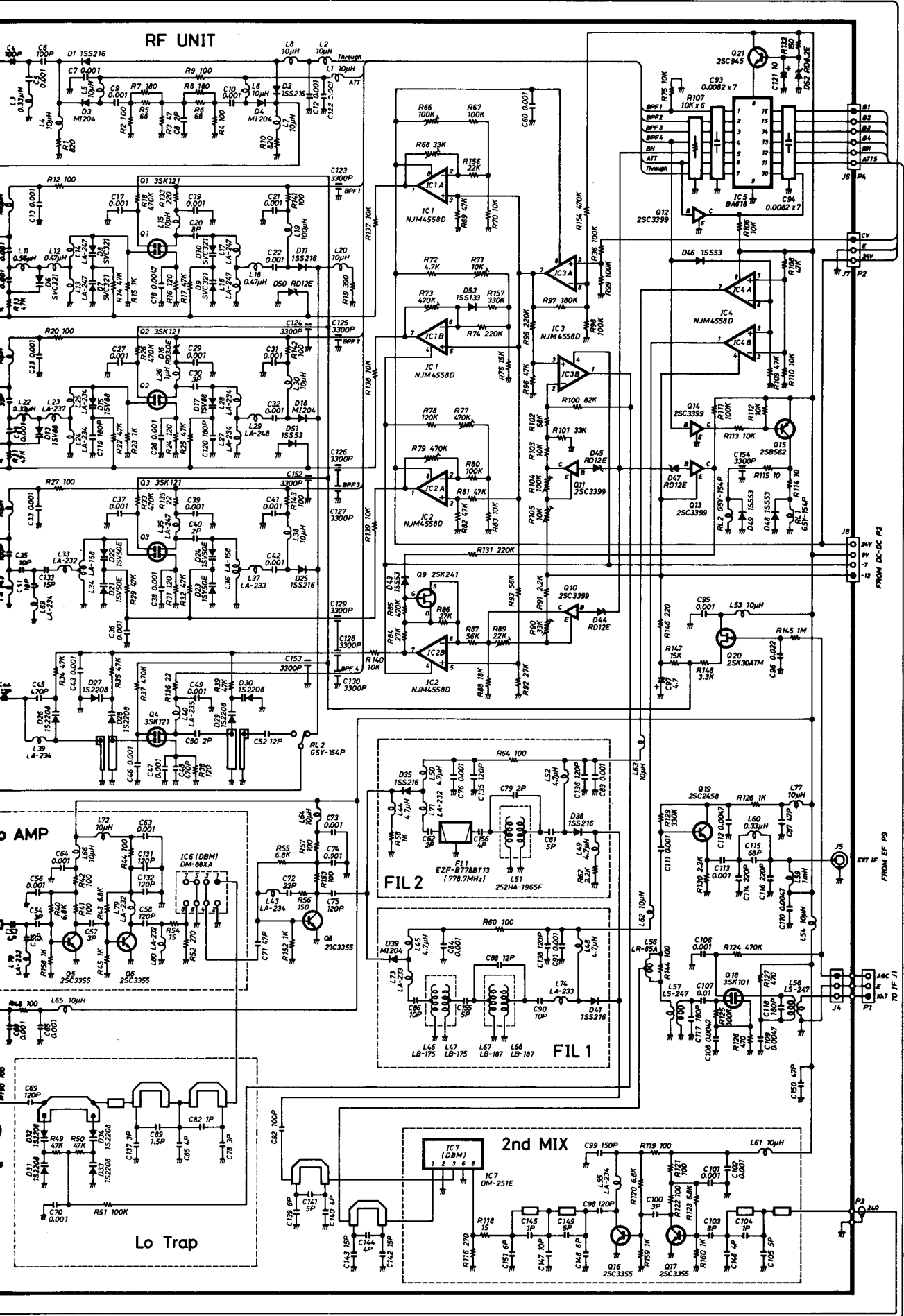
Lo Trap

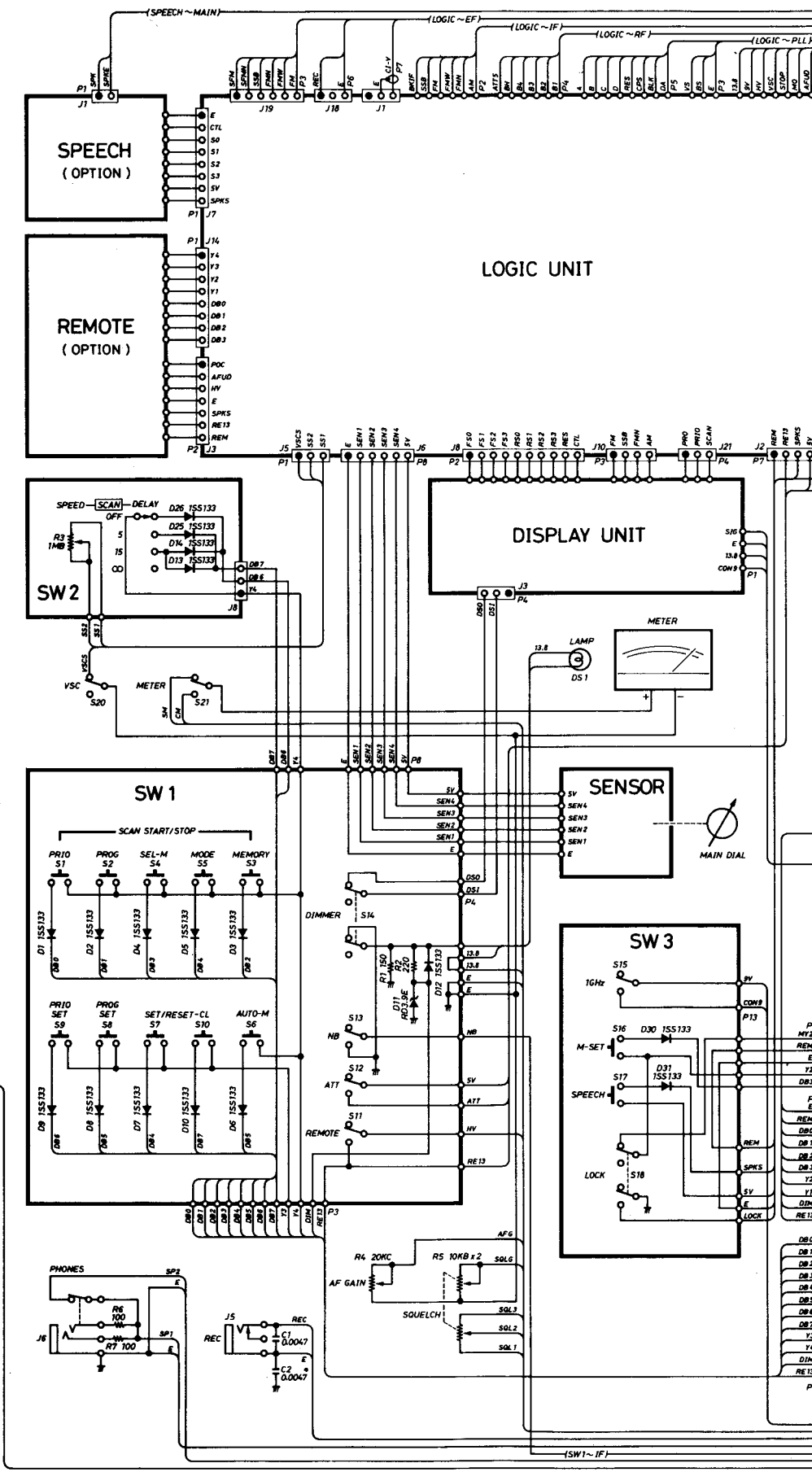
2nd MIX



ICOM ICOM INCORPORATED

To upgrade qu
be subject to





SPEECH (OPTION)

Terminal connections: P1, J1, J7, J19, J18, J1

REMOTE (OPTION)

Terminal connections: P1, J14, J3, J6, J8, J10, J12, J13, J14, J15, J16, J17, J18, J19, J20, J21, J22, J23, J24, J25, J26, J27, J28, J29, J30, J31, J32, J33, J34, J35, J36, J37, J38, J39, J40, J41, J42, J43, J44, J45, J46, J47, J48, J49, J50, J51, J52, J53, J54, J55, J56, J57, J58, J59, J60, J61, J62, J63, J64, J65, J66, J67, J68, J69, J70, J71, J72, J73, J74, J75, J76, J77, J78, J79, J80, J81, J82, J83, J84, J85, J86, J87, J88, J89, J90, J91, J92, J93, J94, J95, J96, J97, J98, J99, J100

LOGIC UNIT

DISPLAY UNIT

Terminal connections: J3, J4, J5, J6, J8, J10, J12, J13, J14, J15, J16, J17, J18, J19, J20, J21, J22, J23, J24, J25, J26, J27, J28, J29, J30, J31, J32, J33, J34, J35, J36, J37, J38, J39, J40, J41, J42, J43, J44, J45, J46, J47, J48, J49, J50, J51, J52, J53, J54, J55, J56, J57, J58, J59, J60, J61, J62, J63, J64, J65, J66, J67, J68, J69, J70, J71, J72, J73, J74, J75, J76, J77, J78, J79, J80, J81, J82, J83, J84, J85, J86, J87, J88, J89, J90, J91, J92, J93, J94, J95, J96, J97, J98, J99, J100

SW 2

Speed control circuit with components: D26, D25, D13, 1SS133, R3, 1MB, T5, CD, VSC, S20, METER, S21, S22, S23, S24, S25, S26, S27, S28, S29, S30, S31, S32, S33, S34, S35, S36, S37, S38, S39, S40, S41, S42, S43, S44, S45, S46, S47, S48, S49, S50, S51, S52, S53, S54, S55, S56, S57, S58, S59, S60, S61, S62, S63, S64, S65, S66, S67, S68, S69, S70, S71, S72, S73, S74, S75, S76, S77, S78, S79, S80, S81, S82, S83, S84, S85, S86, S87, S88, S89, S90, S91, S92, S93, S94, S95, S96, S97, S98, S99, S100

SENSOR

Includes a METER and a 13.8V LAMP (DS1). Terminal connections: S1, S2, S3, S4, S5, S6, S7, S8, S9, S10, S11, S12, S13, S14, S15, S16, S17, S18, S19, S20, S21, S22, S23, S24, S25, S26, S27, S28, S29, S30, S31, S32, S33, S34, S35, S36, S37, S38, S39, S40, S41, S42, S43, S44, S45, S46, S47, S48, S49, S50, S51, S52, S53, S54, S55, S56, S57, S58, S59, S60, S61, S62, S63, S64, S65, S66, S67, S68, S69, S70, S71, S72, S73, S74, S75, S76, S77, S78, S79, S80, S81, S82, S83, S84, S85, S86, S87, S88, S89, S90, S91, S92, S93, S94, S95, S96, S97, S98, S99, S100

SW 1

Control switch assembly with sections: SCAN START/STOP, DIMMER, REMOTE, and various function switches (PRIO SET, PROG SET, SEL-M, MODE, MEMORY, SET/RESET-CL, AUTO-M). Terminal connections: P1, P2, P3, P4, P5, P6, P7, P8, P9, P10, P11, P12, P13, P14, P15, P16, P17, P18, P19, P20, P21, P22, P23, P24, P25, P26, P27, P28, P29, P30, P31, P32, P33, P34, P35, P36, P37, P38, P39, P40, P41, P42, P43, P44, P45, P46, P47, P48, P49, P50, P51, P52, P53, P54, P55, P56, P57, P58, P59, P60, P61, P62, P63, P64, P65, P66, P67, P68, P69, P70, P71, P72, P73, P74, P75, P76, P77, P78, P79, P80, P81, P82, P83, P84, P85, P86, P87, P88, P89, P90, P91, P92, P93, P94, P95, P96, P97, P98, P99, P100

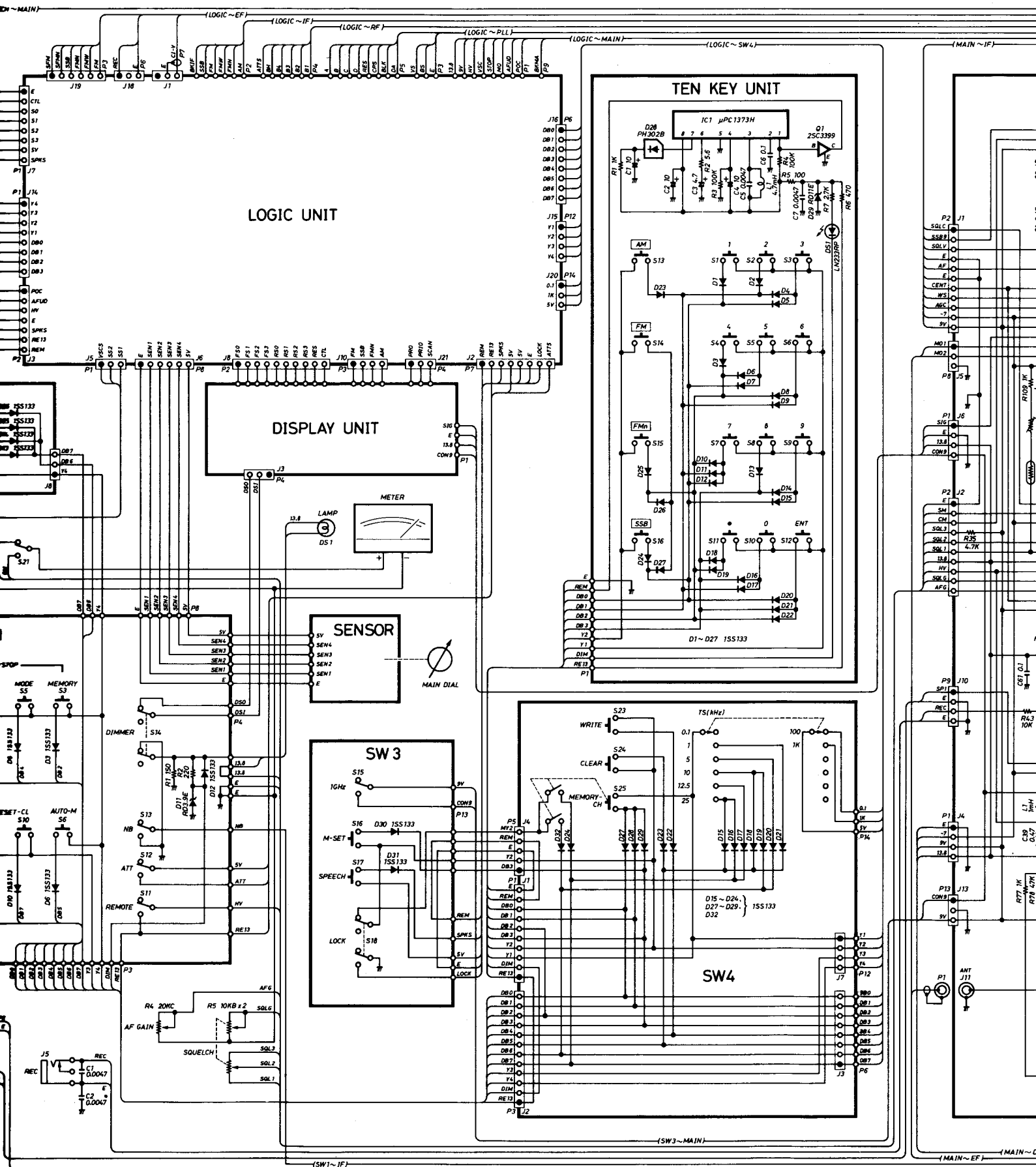
SW 3

Frequency and mode switch assembly with sections: 1GHz, M-SET, SPEECH, LOCK. Terminal connections: S1, S2, S3, S4, S5, S6, S7, S8, S9, S10, S11, S12, S13, S14, S15, S16, S17, S18, S19, S20, S21, S22, S23, S24, S25, S26, S27, S28, S29, S30, S31, S32, S33, S34, S35, S36, S37, S38, S39, S40, S41, S42, S43, S44, S45, S46, S47, S48, S49, S50, S51, S52, S53, S54, S55, S56, S57, S58, S59, S60, S61, S62, S63, S64, S65, S66, S67, S68, S69, S70, S71, S72, S73, S74, S75, S76, S77, S78, S79, S80, S81, S82, S83, S84, S85, S86, S87, S88, S89, S90, S91, S92, S93, S94, S95, S96, S97, S98, S99, S100

PHONES, REC, AF GAIN, SQUELCH, SOL, AF 6, AF 5, AF 4, AF 3, AF 2, AF 1, AF 0

Terminal connections: P1, P2, P3, P4, P5, P6, P7, P8, P9, P10, P11, P12, P13, P14, P15, P16, P17, P18, P19, P20, P21, P22, P23, P24, P25, P26, P27, P28, P29, P30, P31, P32, P33, P34, P35, P36, P37, P38, P39, P40, P41, P42, P43, P44, P45, P46, P47, P48, P49, P50, P51, P52, P53, P54, P55, P56, P57, P58, P59, P60, P61, P62, P63, P64, P65, P66, P67, P68, P69, P70, P71, P72, P73, P74, P75, P76, P77, P78, P79, P80, P81, P82, P83, P84, P85, P86, P87, P88, P89, P90, P91, P92, P93, P94, P95, P96, P97, P98, P99, P100

- P1
- P2
- P3
- P4
- P5
- P6
- P7
- P8
- P9
- P10
- P11
- P12
- P13
- P14
- P15
- P16
- P17
- P18
- P19
- P20
- P21
- P22
- P23
- P24
- P25
- P26
- P27
- P28
- P29
- P30
- P31
- P32
- P33
- P34
- P35
- P36
- P37
- P38
- P39
- P40
- P41
- P42
- P43
- P44
- P45
- P46
- P47
- P48
- P49
- P50
- P51
- P52
- P53
- P54
- P55
- P56
- P57
- P58
- P59
- P60
- P61
- P62
- P63
- P64
- P65
- P66
- P67
- P68
- P69
- P70
- P71
- P72
- P73
- P74
- P75
- P76
- P77
- P78
- P79
- P80
- P81
- P82
- P83
- P84
- P85
- P86
- P87
- P88
- P89
- P90
- P91
- P92
- P93
- P94
- P95
- P96
- P97
- P98
- P99
- P100



LOGIC UNIT

TEN KEY UNIT

DISPLAY UNIT

SENSOR

SW3

SW4

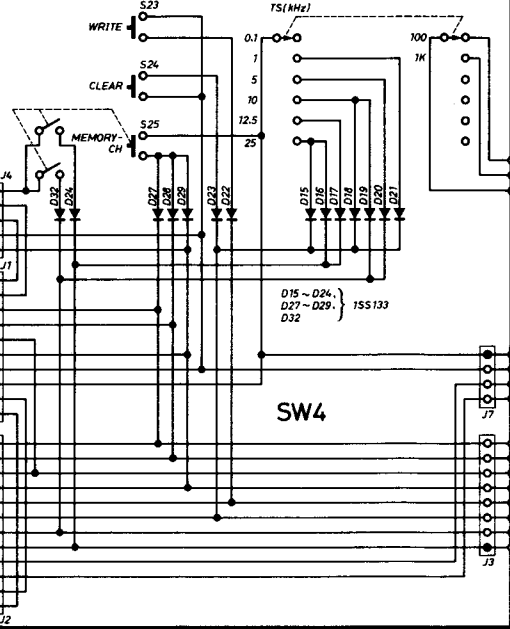
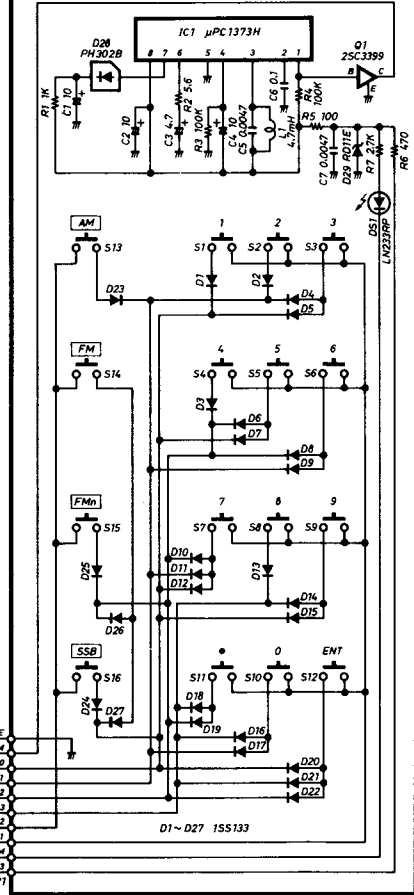
DS1

13.8

LAMP



MAIN DIAL



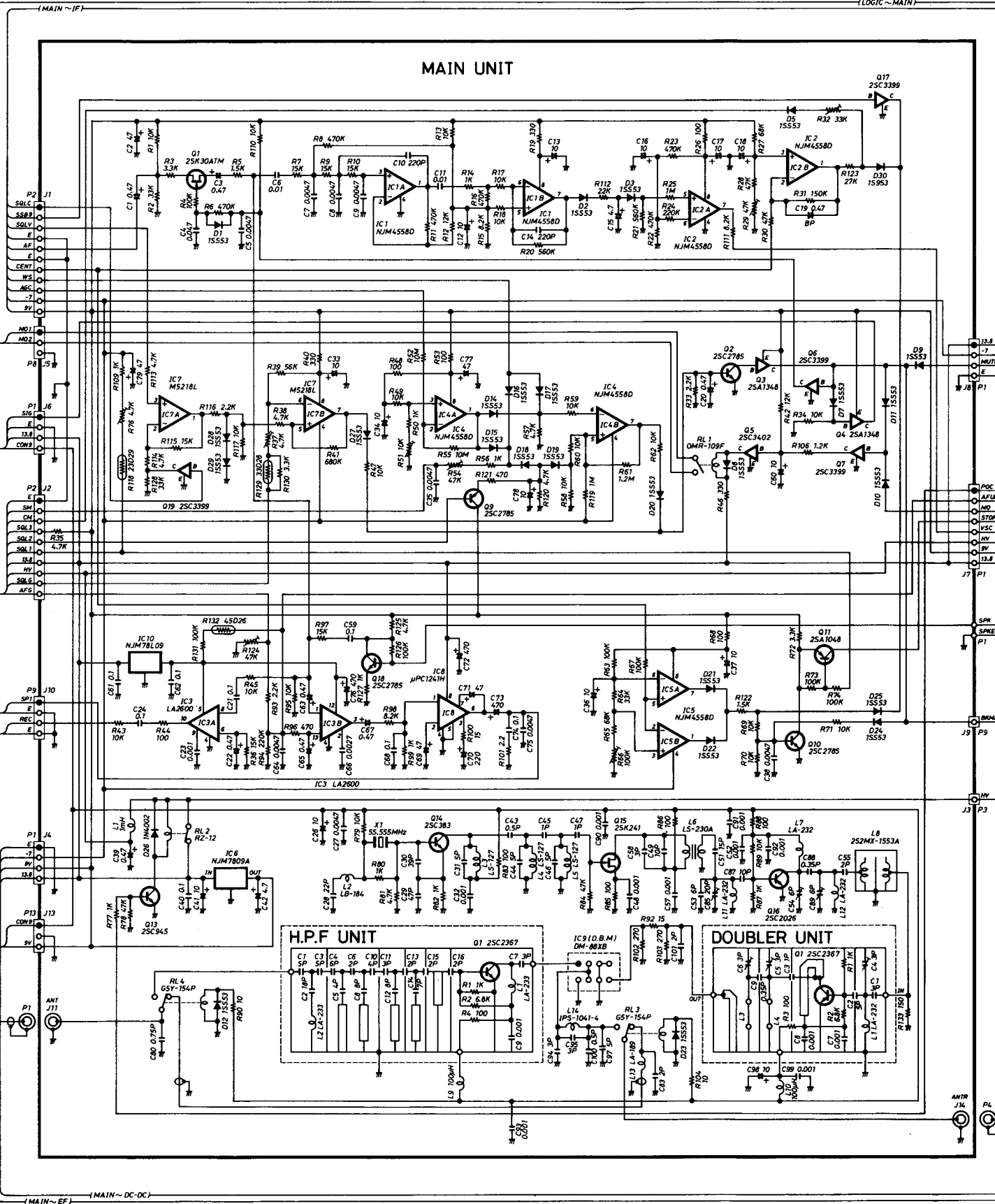
(SW1~IF)

(SW3~MAIN)

(MAIN~EF)

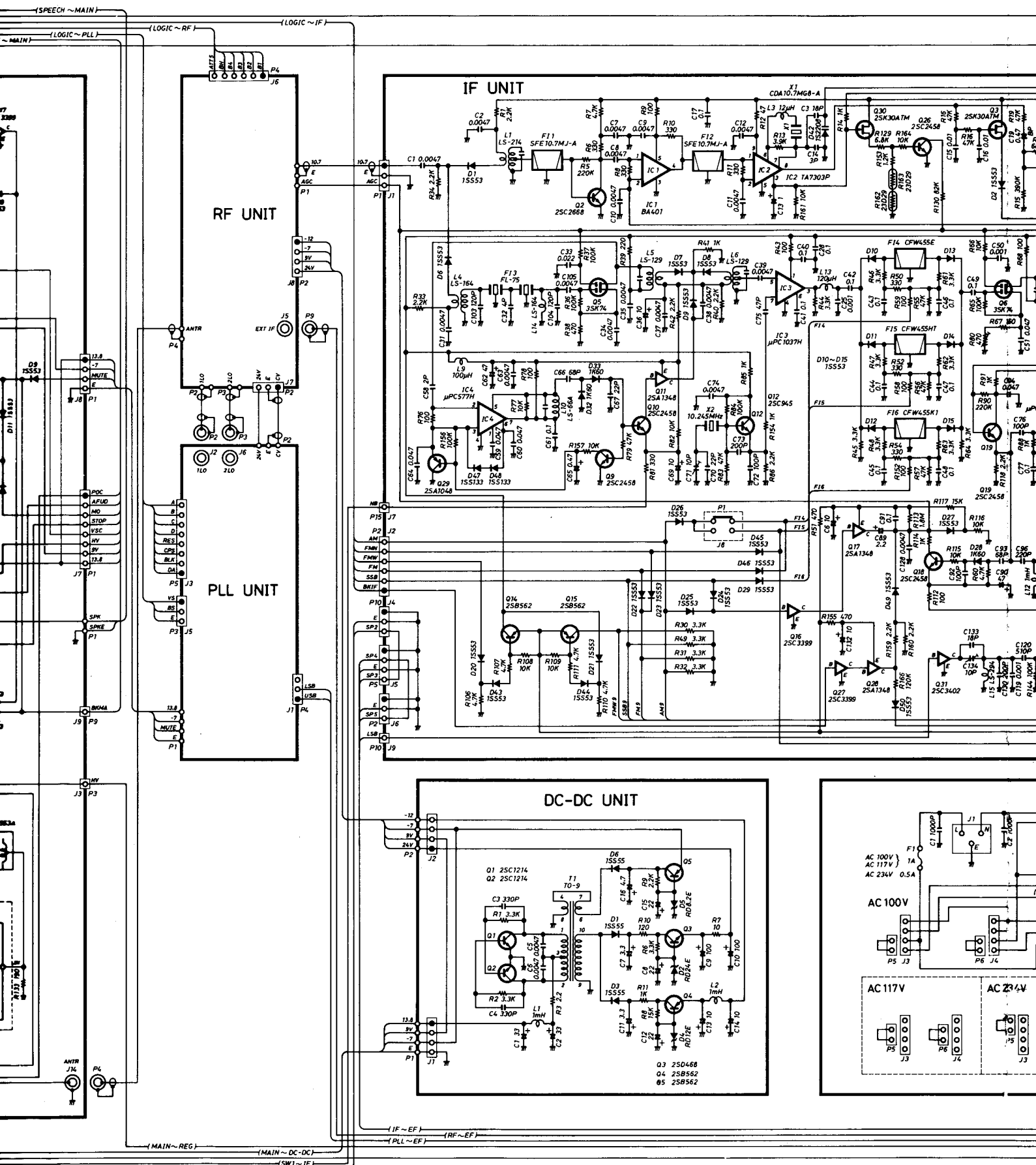
(MAIN~IF)

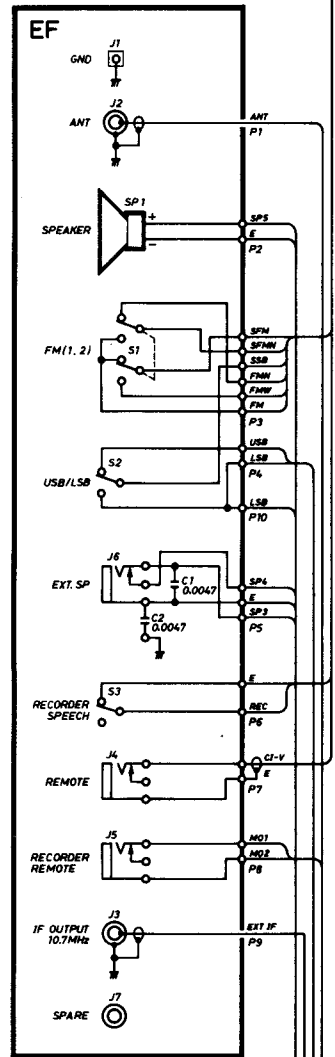
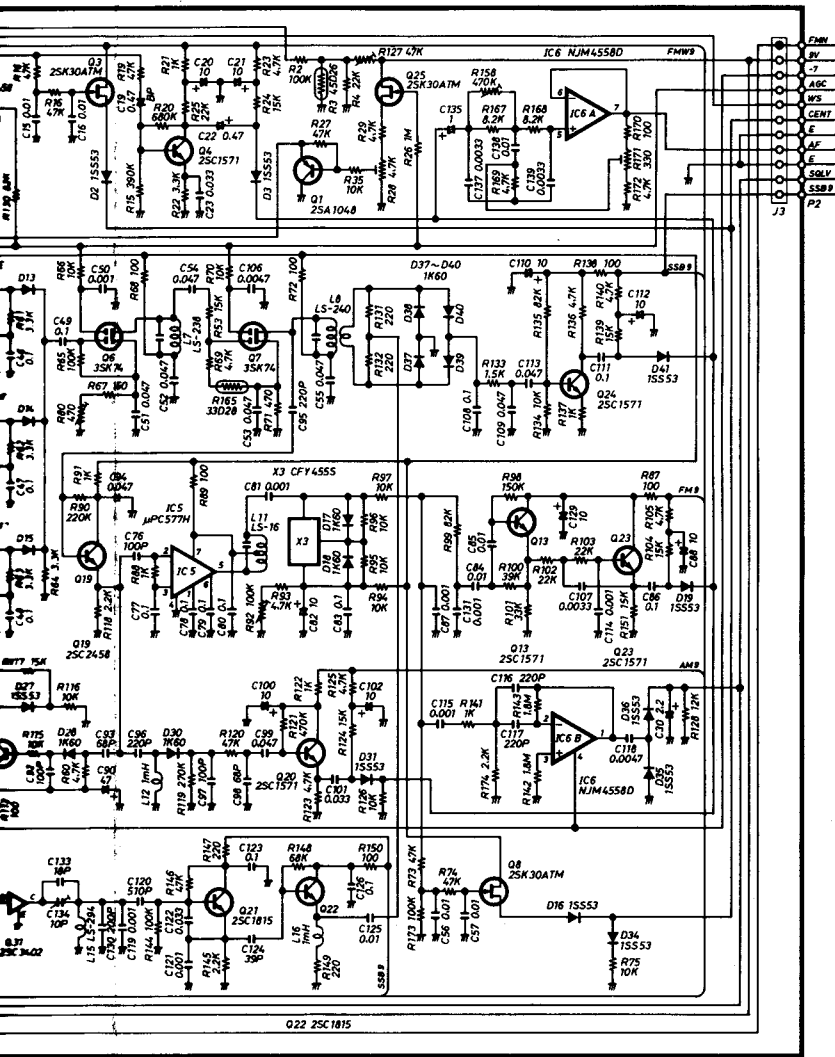
MAIN UNIT



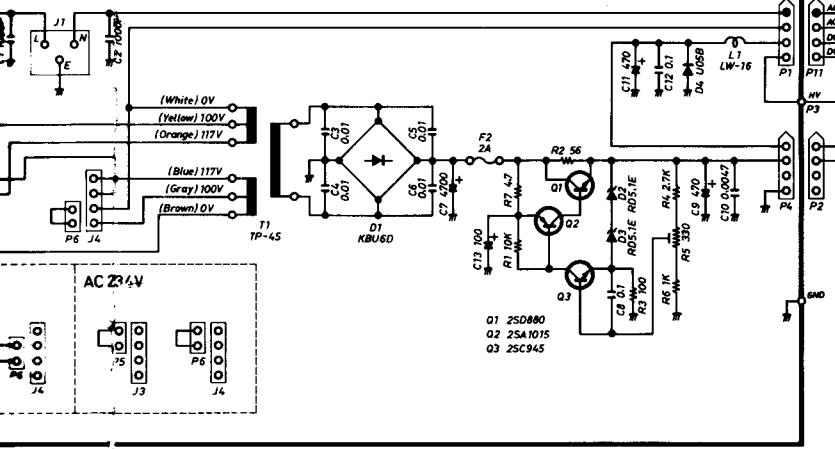
H.P.F. UNIT

DOUBLER UNIT





REG UNIT





ICOM INCORPORATED

1-6-19, Kamikuratsukuri, Hirano-ku, Osaka 547, Japan
Phone: (06) 793-5301
Telex : 05277822 ICOMTR J
Fax : (06) 793-0013

ICOM AMERICA, INC.,
2380 116th Avenue N.E.,
Bellevue, WA 98004
Phone: (206) 454-8155
Telex : 230-152210 ICOM AMER BVUE
Fax : (206) 454-1509

3150 Premier Drive, Suite 126,
Irving, TX 75063
Phone: (214) 550-7525
Fax : (214) 550-7423

1777 Phoenix Parkway, Suite 201,
Atlanta, GA 30349
Phone: (404) 991-6166

ICOM CANADA, LTD.,
3071-#5 Road, Unit 9,
Richmond, B.C.,
V6X 2T4 Canada
Phone: (604) 273-7400
Fax : (604) 273-1900

ICOM (EUROPE) GmbH,
Himmelgeister Strasse 100,
4000 Düsseldorf 1,
West Germany
Phone: 0211-346047
Telex : 41-8588082 ICOM D
Fax : 0211-333639

ICOM AUSTRALIA, PTY., LTD.,
7 Duke Street, Windsor 3181,
Victoria, Australia
Phone: (03) 529-7582
Telex : 71-35521 ICOMAS
Fax : (03) 529-8485