




## Cargo Board User's Information

## Special Messages

- We provide many important safety messages in this manual. For your safety and safety of others, pay special attention to all warnings preceded by this alert symbol . Failure to follow the warnings contained in this manual can result in serious injury or accident.



### **DANGER**

- Indicates that severe personal injury or death will result if instructions are not followed. (Not applicable)



### **WARNING**

- Indicates a strong possibility that serious injury or death may result if instructions are not followed. (Not applicable)



### **CAUTION**

- Indicates a possibility that personal injury may result if instructions are not followed. (Not applicable)

## Other Symbols

- If instructions are preceded by the following symbols, they will give helpful advice or information.



### **ADVICE**

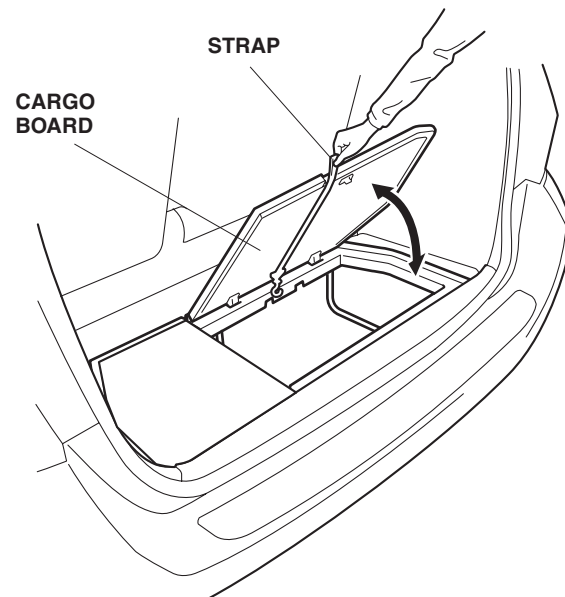
- Gives advice to prevent damage to the product.
- Gives advice to handle emergency situation.



### **INFORMATION**

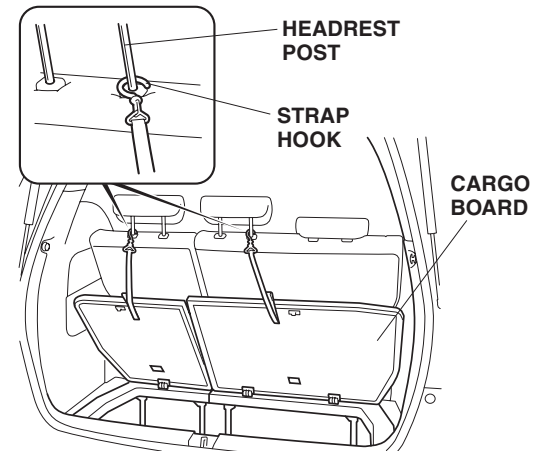
Gives helpful information or instructions to be followed in using the product.

1. Use the strap to open and close the cargo board.



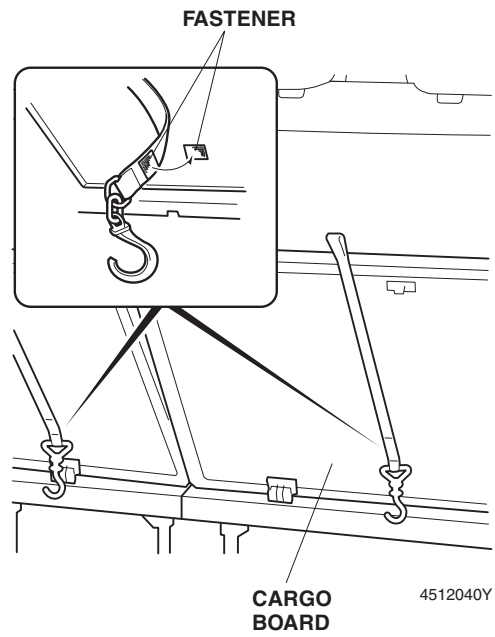
4512020Y

2. The cargo board can be held open by hooking the strap hook on the headrest post as shown. When the cargo board is held open with the strap hook, do not apply force to the cargo board such as by leaning against it.

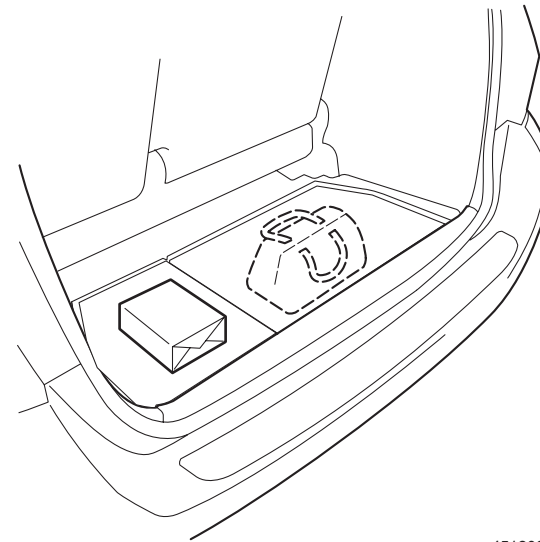


4512030Y

3. When you do not use the strap hook, secure it on the back side of the cargo board with a fastener.

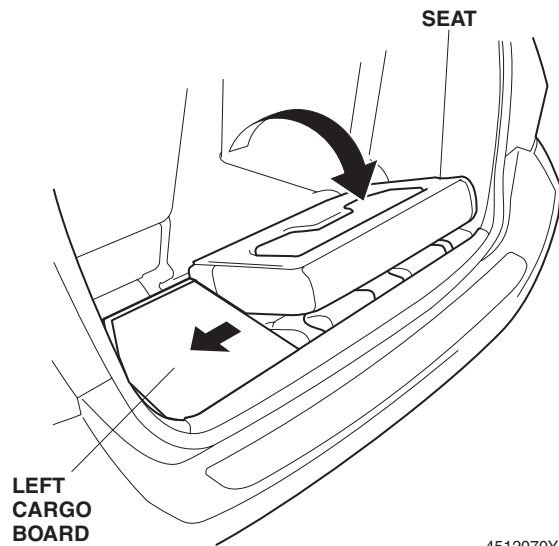


4. Articles can be stored on two decks, i.e. on the outer and inner sides.



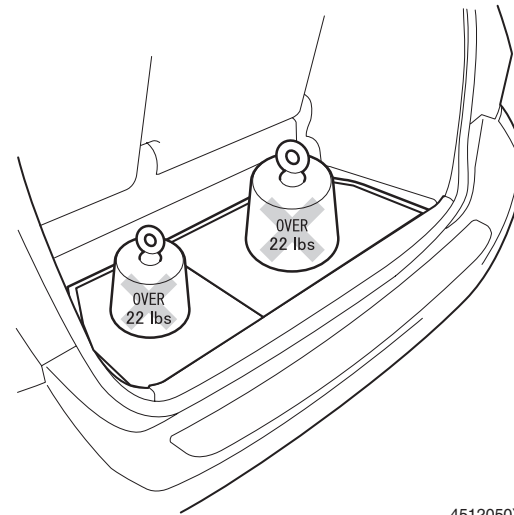
4512060Y

5. Cargo board can be used on either the right or left side only. Remove either right or left cargo board. Push the cargo board in the direction of the arrow and lower the seat slowly to store it.



4512070Y

The maximum weight of the cargo board should no exceed 22 lbs (10 kg).



4512050Y

**HONDA**  
The Power of Dreams