

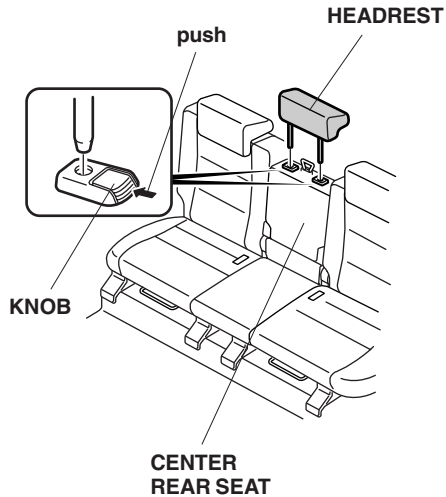


Rear Seat Back Tray User's Information

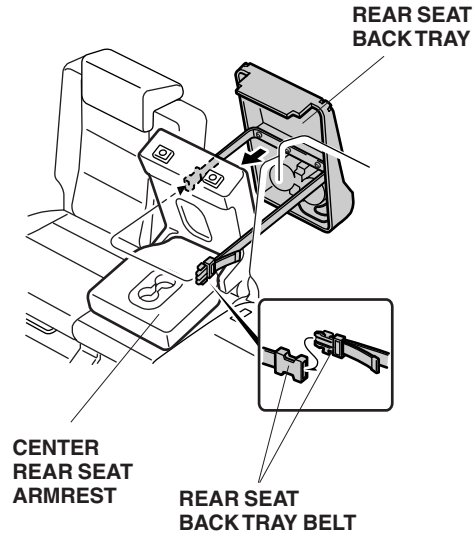
CR-V

Installation

1. Remove the headrest from the center rear seat.



2. Tilt the rear center armrest forward. Align the rear seatback tray with the center rear seat, and install the rear seatback tray belt.

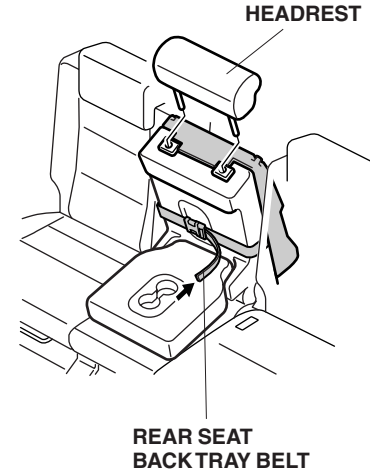


3. Adjust the rear seatback tray belt to secure it to the center rear seat. Reinstall the headrest. Check that the rear seatback tray is secure by moving it forward or backward and right or left. Retighten if necessary.

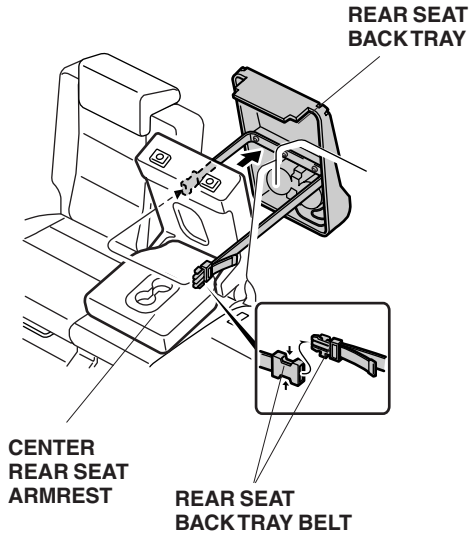


Removal

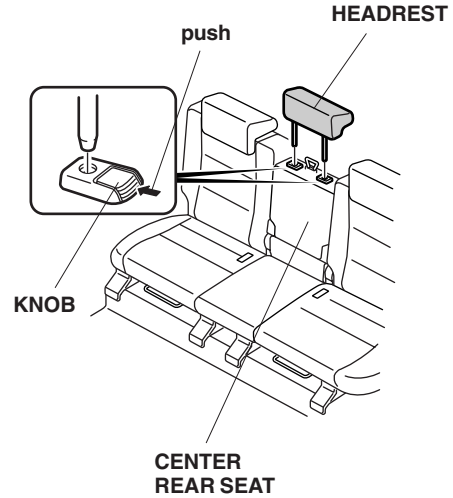
4. Remove the headrest from the center rear seat. Tilt the rear center armrest forward and loosen the rear seatback tray belt.



5. Remove the rear seatback tray belt, and remove the rear seatback tray from the center rear seat.



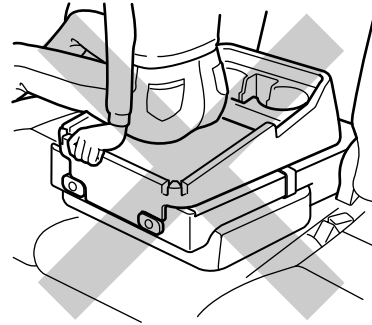
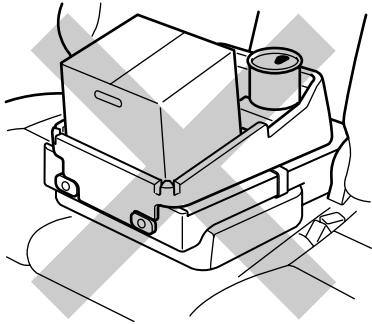
6. Reinstall the headrest in the center rear seat.



NOTE

- Avoid placing movable objects on the table.

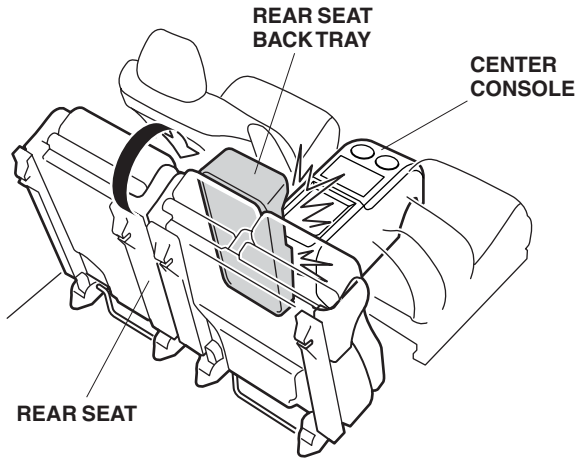
- Do not sit on the table or place heavy objects on the table.



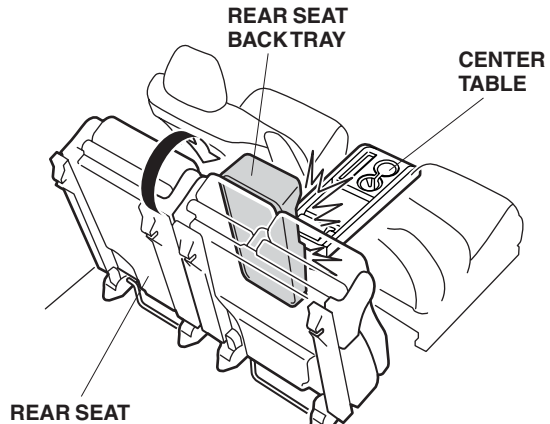
NOTE

- You cannot fold the rear seat with the rear seatback tray installed because the rear seatback tray interferes with the rear seat when folding. Remove the rear seatback tray before folding the rear seat.

CENTER CONSOLE TYPE

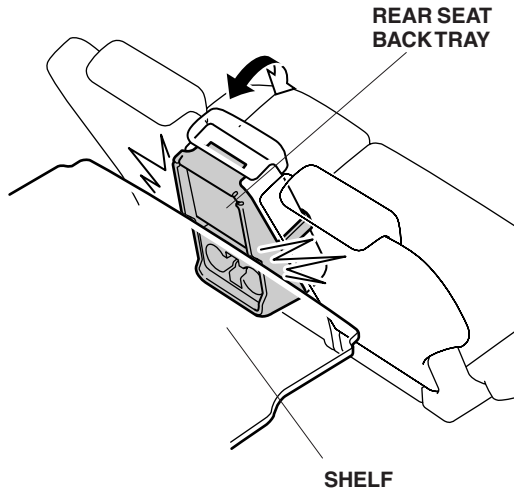


CENTER TABLE TYPE



NOTE

- Be careful tilting the center rear seatback if the vehicle is equipped with a rear shelf.



HONDA
The Power of Dreams