

CHICAGO

COIN

TV PING PONG

(MODEL 424)

PARTS CATALOG

CHICAGO DYNAMIC INDUSTRIES, INC.

1725 DIVERSEY BOULEVARD CHICAGO, ILLINOIS 60614 PHONE (312) 935-4600

INTRODUCTION

THIS PARTS CATALOG HAS BEEN COMPILED TO HELP THE SERVICEMAN IN SELECTING THE PARTS NECESSARY FOR PROPER MAINTENANCE OF CHICAGO COIN GAMES.

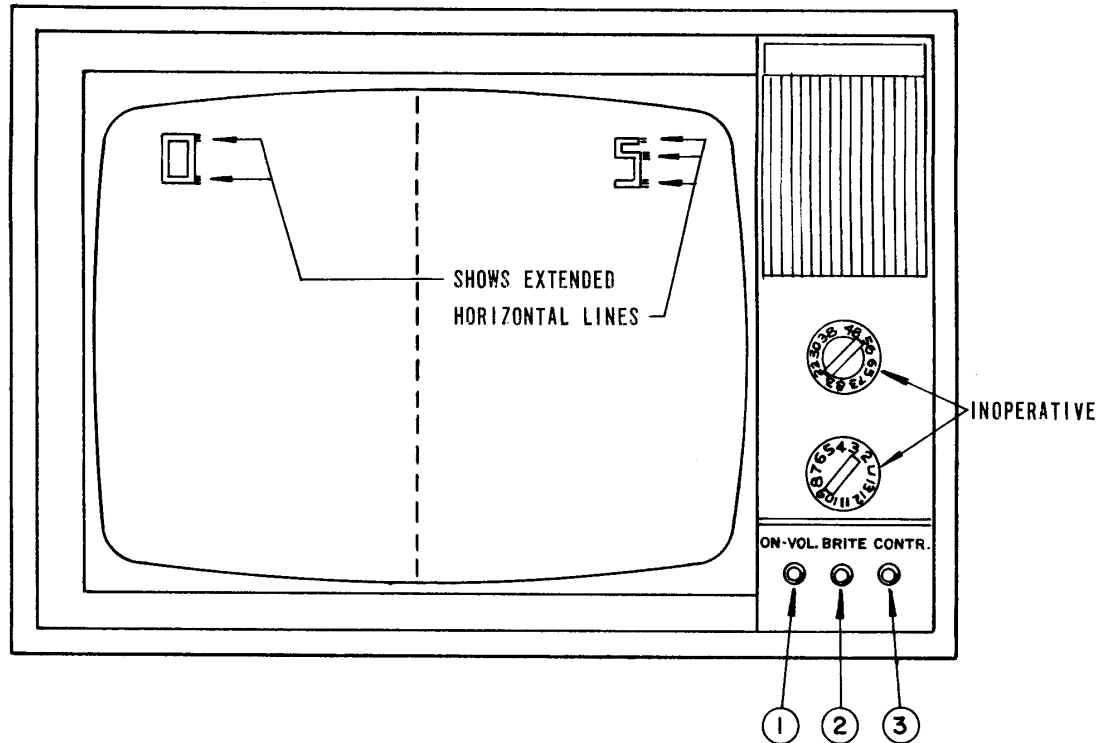
WHEN ORDERING PARTS ALWAYS SPECIFY NAME OF UNIT, PART NUMBERS AND A DESCRIPTION OF THE PART AS SHOWN IN THIS CATALOG.

WARRANTY

CHICAGO COIN WARRANTS THE SOLID STATE MODULE No. 424-2500 TO BE FREE FROM DEFECTS IN MATERIAL AND WORKMANSHIP ARISING FROM NORMAL USAGE FOR 6 MONTHS FROM DATE OF ORIGINAL CONSUMER PURCHASE. WARRANTY COVERS REPLACEMENT OR REPAIR OF THIS MODULE THROUGH AN AUTHORIZED CHICAGO COIN DISTRIBUTOR. * ONLY UNDER THE CONDITION THAT IT HAS NOT BEEN TAMPERED WITH. TRANSPORTATION CHARGES ARE THE OBLIGATION OF OWNER.

ADJUSTMENTS

ADJUSTMENT FOR FRONT T.V. CONTROLS
(to be adjusted only if necessary)



1. OFF-ON VOLUME CONTROL
SWITCH MUST BE LEFT ON.
SET VOLUME FOR LOCATION.
2. BRIGHTNESS CONTROL
SET TO MAXIMUM (CLOCKWISE) AND BACK OFF (COUNTER CLOCKWISE) JUST WHEN BACKGROUND GOES BLACK.
3. CONTRAST CONTROL
SET TO MAXIMUM (CLOCKWISE) AND BACK OFF CONTRAST CONTROL JUST TO THE POINT THAT THE RIGHT SIDE OF THE HORIZONTAL BARS IN THE SCORE LINES UP WITH THE VERTICAL BARS. (THE PICTURE ABOVE SHOWS TOO MUCH CONTRAST).

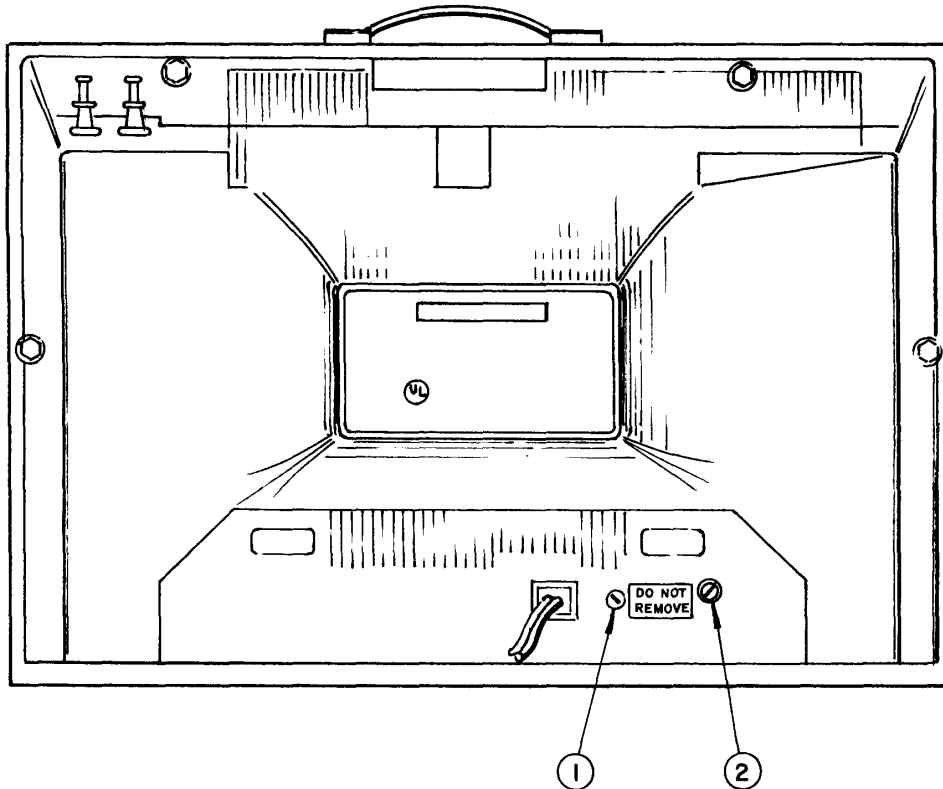
NOTE: CHANNEL CONTROLS ARE INOPERATIVE. THEIR POSITION HAS NO EFFECT.

CHICAGO DYNAMIC INDUSTRIES

PARTS CATALOG

PAGE 2

ADJUSTMENT FOR T.V. REAR CONTROLS
(to be adjusted only if necessary)



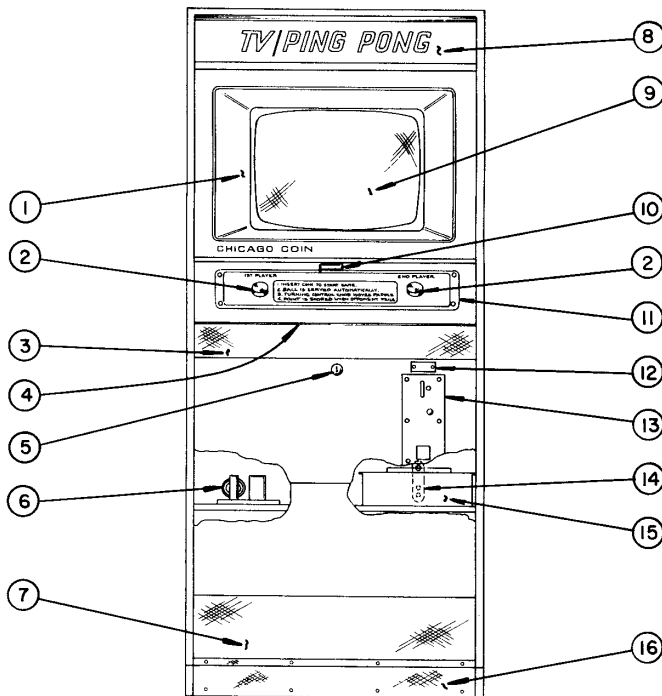
1. THE VERTICAL HOLD CONTROL COMPENSATES FOR CHANGES WHICH CAUSE THE PICTURE TO ROLL. TURN THE VERTICAL HOLD KNOB IN EITHER DIRECTION UNTIL THE PICTURE LOCKS FIRMLY IN POSITION.
2. THE HORIZONTAL HOLD CONTROL IS USED TO STEADY THE PICTURE WHEN A SERIES OF DIAGONAL BARS OR A SIDEWAYS MOTION IS PRESENT. TURN THE CONTROL IN EITHER DIRECTION UNTIL THE SIDEWAYS MOVEMENT OR BARS ARE ELIMINATED AND THE PICTURE IS STEADY ON THE SCREEN.



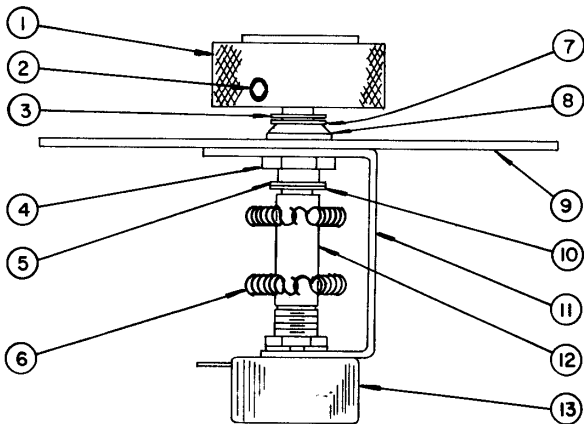
HORIZONTAL HOLD ADJUSTMENT NEEDED

CHICAGO DYNAMIC INDUSTRIES
PARTS CATALOG

CABINET (FRONT)



ITEM	PART NO.	DESCRIPTION
1	424-800	T.V. SCREEN SHIELD
2		SEE BELOW
3	424-507	TRIM PLATE
4	424-506	CONTROL PANEL TRIM
5	#6720	LOCK (KEYED AT RANDOM)
6		TRANSFORMER BOARD (SEE PAGE 8)
7	424-502	KICK PLATE
8	424-350-S	FRONT GLASS (22" x 26" x 3/16")
	344-506-A	GLASS LIFT CHANNEL
	344-800-G	PLASTIC GLASS CHANNEL (TOP)
	344-800-M	PLASTIC GLASS CHANNEL (2 SIDES)
9	424-300	19" T.V. SET
10	424-303	WINDOW
	424-304	INSTRUCTION CARD
11	424-2503	CONTROL PLATE ASS'Y
12	424-303	WINDOW
	424-305	COIN DENOMINATION CARD
13	424-301	COIN CHUTE & PLATE ASS'Y
14	326-543-A	CASH BOX LOCK BRACKET
15	424-500	CASH BOX
	424-2501	CASH BOX COVER ASS'Y
16	424-511	KICK PLATE (FORMED)

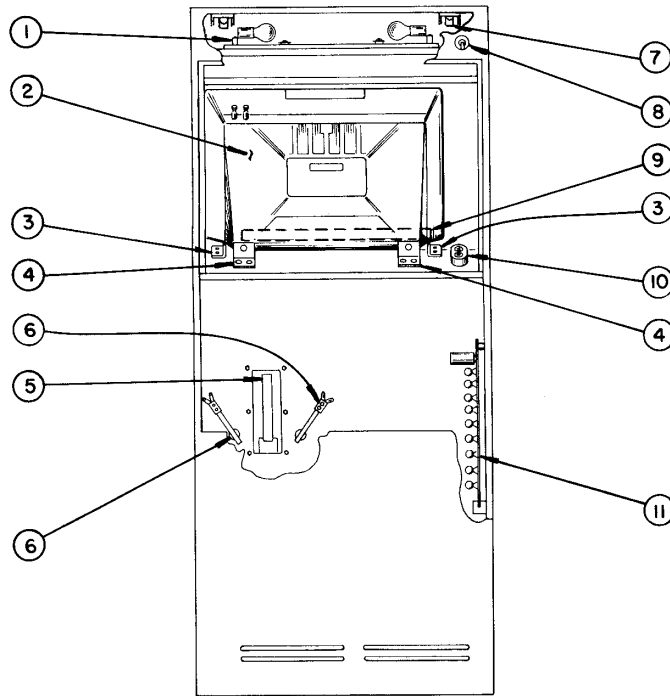


ITEM	PART NO.	DESCRIPTION
1	424-1500	RACQUET CONTROL KNOB
2		#8-32 x 3/8" LG. CUP POINT SOCKET
		HD. SET SCREW
		#8-32 x 1/4" LG. CONE POINT SOCKET
		HD. SET SCREW
3	#6722-25	RET. RING
4	#6783	1/8-27 PAL NUT
5	#5330	WASHER
6	300-900-A	TENSION SPRING
7	#5330	WASHER
8	290-1504	BUSHING
9	424-2503	CONTROL PLATE ASS'Y
10	#6722-25	RET. RING
11	424-513	CONTROL SHAFT BRACKET
12	424-307	CONTROL COUPLER
13	#5611-E	A.B. POT TYPE J 5K-0HM

CHICAGO DYNAMIC INDUSTRIES

PARTS CATALOG

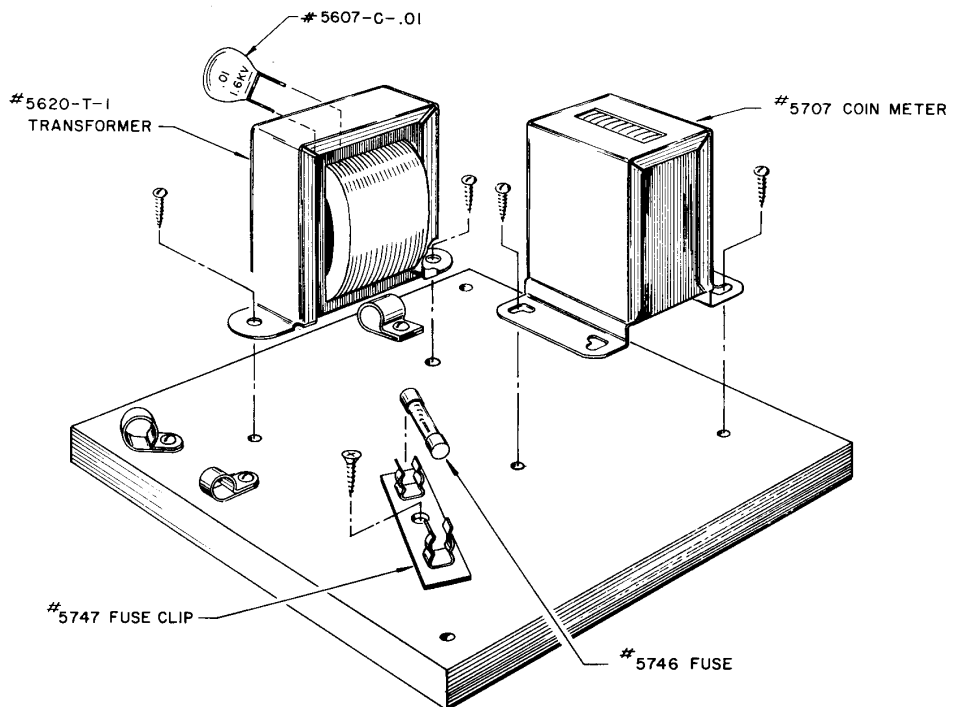
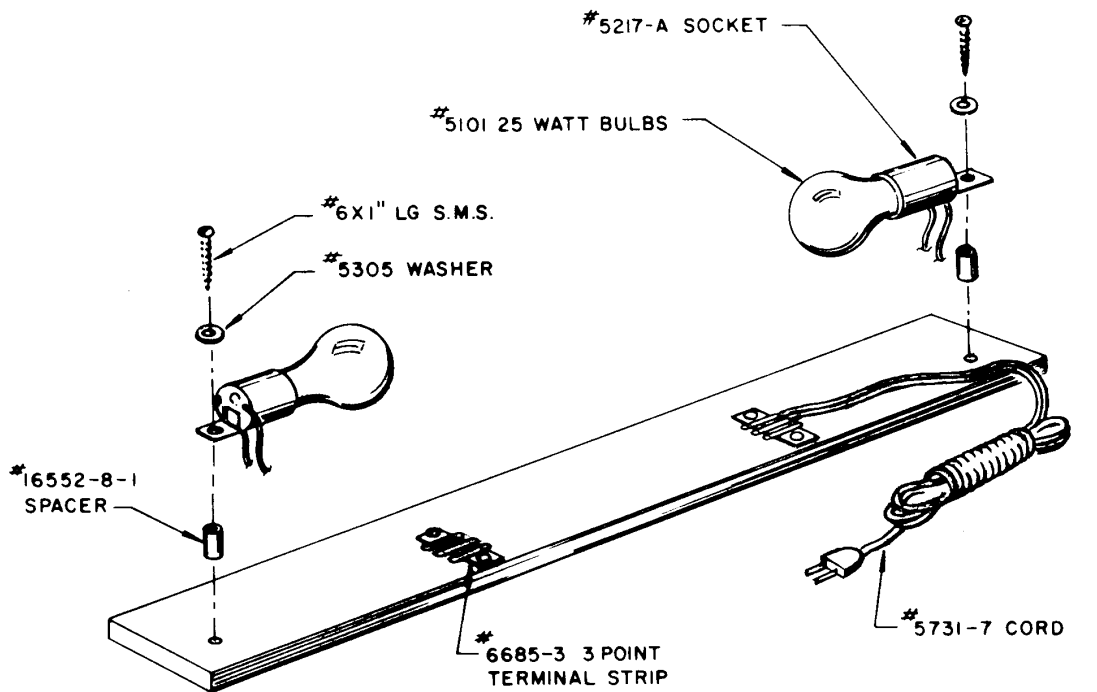
CABINET (REAR)



ITEM	PART NO.	DESCRIPTION
1		LIGHT BOARD ASSEMBLY (SEE PAGE 8)
2	424-300	19" T.V. SET
3	424-504	T.V. SIDE RETAINER BRACKET
4	378-579-A	HOLDING BRACKET
5	424-301	COIN CHUTE & PLATE ASS'Y (SPECIFY COIN)
6	#302	ANTI-CHEAT SWITCH
7	424-503	GLASS LOCK BOLT (14" LG.)
	216-530	SAFETY LATCH
8	#5700	TOGGLE SWITCH
9	424-505	T.V. FRONT RETAINER BRACKET
10	#5701-D	PARALLEL POLARIZED CONVENIENCE OUTLET
11	424-2500	SOLID STATE MODULE (SEE PAGES 4 & 5)

CHICAGO DYNAMIC INDUSTRIES
PARTS CATALOG

LIGHT & TRANSFORMER BOARD ASSEMBLY



CHICAGO DYNAMIC INDUSTRIES

PARTS CATALOG

T.V. PING PONG

(MODEL 424)

