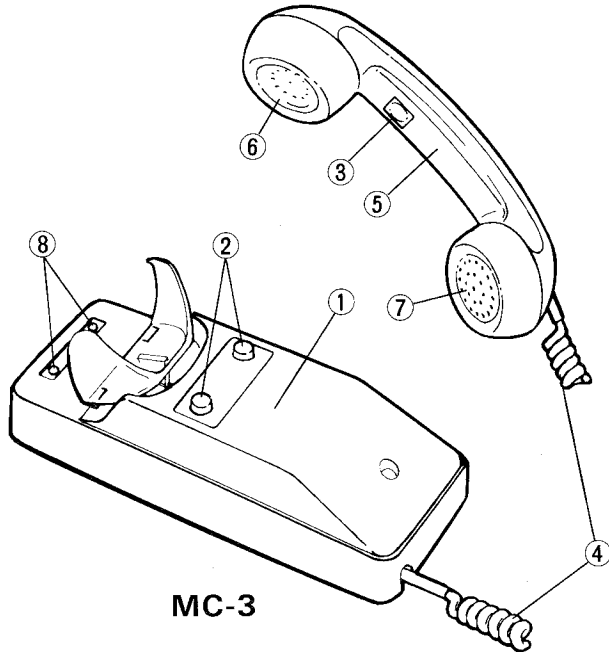


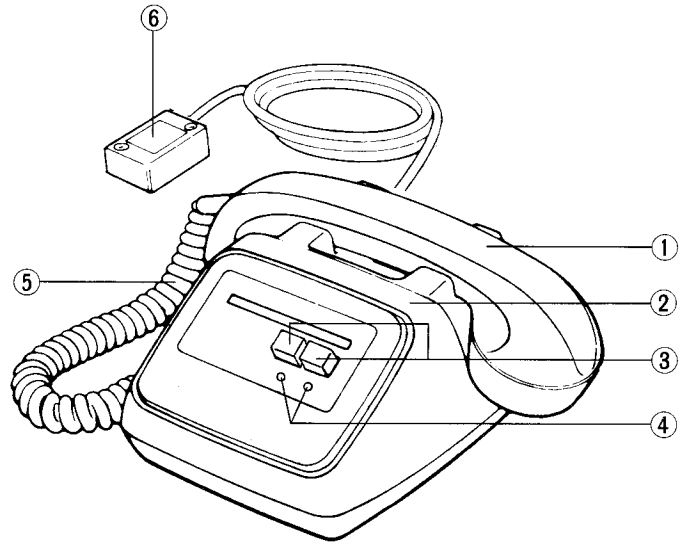
# MARKET-COM

**MODELS;** **MC-3** (Master station, wall-mount)  
**MC-3B** (Master station, desk-use)

## INSTRUCTIONS



**MC-3**



**MC-3B**

NOTE: The MC-3B handset assembly is exactly the same as MC-3's.

## 1 NAMES AND FUNCTIONS

### MC-3

- ① Case
- ② Channel selector buttons
- ③ PAGE button
- ④ Coil cord
- ⑤ Handset
- ⑥ Receiver
- ⑦ Microphone
- ⑧ Channel occupied LED #1 & #2 (red & green)

### MC-3B

- ① Handset
- ② Case
- ③ Channel selector buttons
- ④ Channel occupied LED #1 & #2 (red & green)
- ⑤ Coil cord
- ⑥ Terminal box & cord of approx. 1.4 m (4'-7-1/8")

## 2 FEATURES

- \* Two separate talk channels.
- \* Two LEDs illumination indicates channels in use.
- \* Common talk on either channel.
- \* Page button built in handset.
- \* Rubber mounted ECM (Electret Condenser Microphone) with amplifier built in handset.
- \* Back mounting plate for use with a single gang electrical box for wall mounting.
- \* MC-3 station divided in two sections with a positive contact plug connecting each half.
- \* MC-A adaptor allows MC-3 stations to be connected to background music and a paging amplifier system.
- \* Channel selector buttons self-cancel.
- \* Station-to-station communication separate from paging.

# 3

## BEFORE YOU INSTALL AND OPERATE THE EQUIPMENT

### — Prohibitions and precautions —

#### \* Installation;

1. DO NOT CONNECT ANY TERMINAL ON ANY UNIT TO AC POWER LINES.
2. Select the installation locations that would not be exposed to temperature/humidity extremes, water, oil, dust, iron dust, inflammable & chemical products, etc.
3. Be sure not to plug power supply into AC receptacle until you complete wiring connections, and unplug before opening the unit.

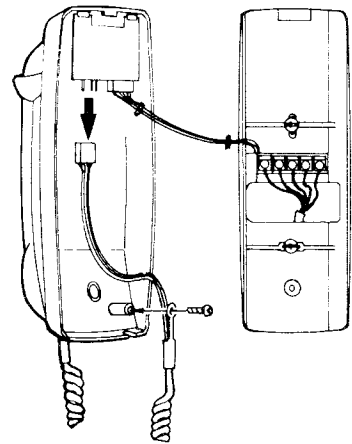
#### \* Maintenance;

1. Clean your equipment with a soft cloth dampened with neutral household cleanser. Never use thinner nor benzine, etc.

### 2. How to replace major parts;

#### \* HANDSET

- 1) Remove a large screw located on front case of MC-3.
- 2) Gently lift top section of MC-3 case and turn it over.
- 3) Remove the phillip screw holding coil cord to lower section of the MC-3 top case.
- 4) Unplug the female section of the three prong positive connector (i.e. small male plug).
- 5) Remove handset assembly.
- 6) Plug in the replacement handset's three plug positive connector.
- 7) Screw the coil cord into place.
- 8) Gently replace top section of MC-3 case on to bottom section.
- 9) Re-screw the large screw on bottom front case of MC-3 to secure.

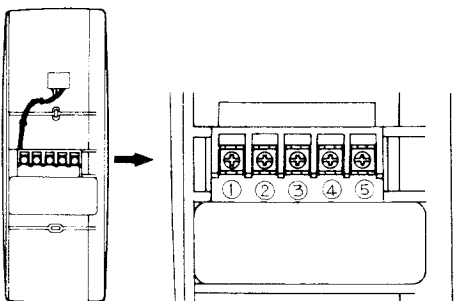


- \* NOTE: The handset assembly is a complete entity consisting of handset, body, earpiece, mouthpiece, PCB amplifier, electret condenser microphone, 50-H1 receiver, three conductor 103S2 coil cord, and female section of three prong positive contact plug.

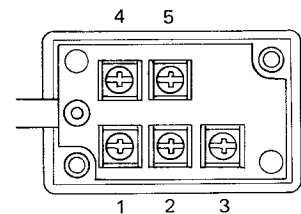
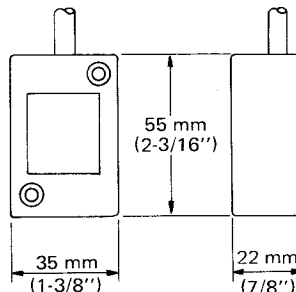
# 4

## INSTALLATION

### (1) ACTUAL TERMINAL LOCATIONS



MC-3 BOTTOM CASE INSIDE VIEW



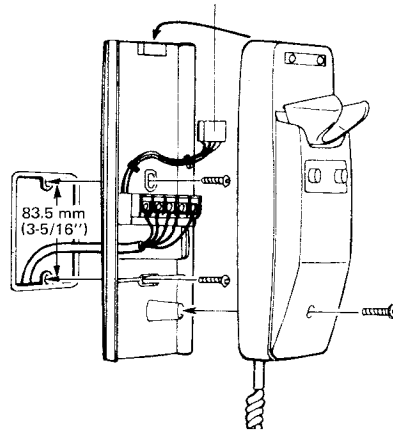
MC-3B TERMINAL BOX INSIDE VIEW

## (2) MC-3 WALL-MOUNTING INSTALLATION

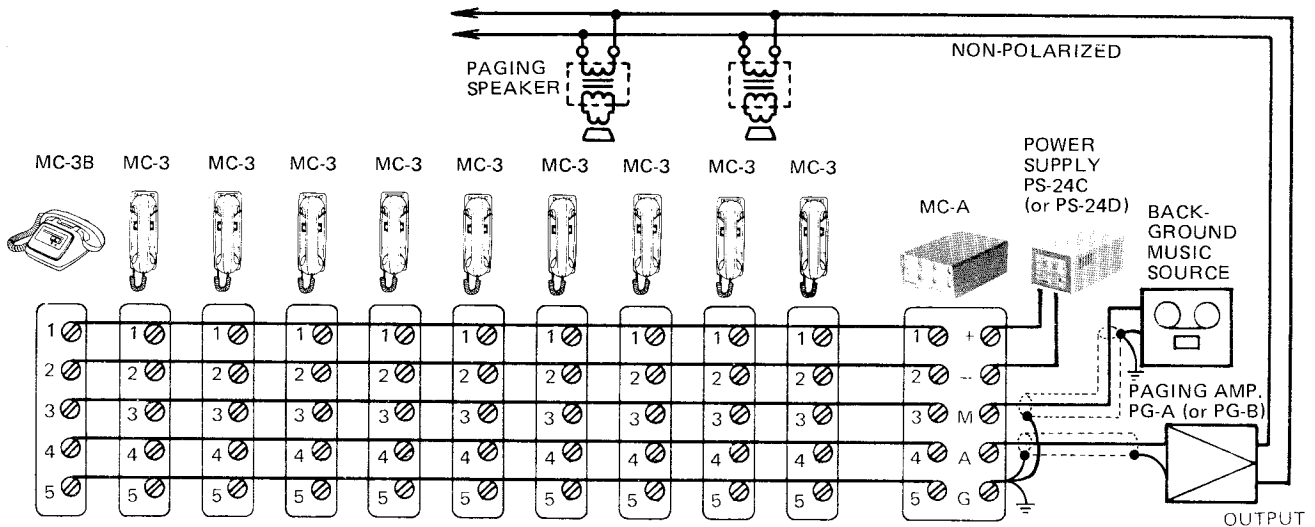
### WALL MOUNTING INSTALLATION

- 1) Remove a large screw located on front case of MC-3.
- 2) Gently lift top section of MC-3 case and turn it over.
- 3) Unplug the female section of the five prong positive connector (i.e. large male plug), and separate top case from bottom case.
- 4) Attach bottom case to a single gang electrical box with screws.
- 5) Connect wires and gently replace top section of MC-3 case on to bottom section.
- 6) Re-screw the large screw on bottom front case of MC-3 to secure.

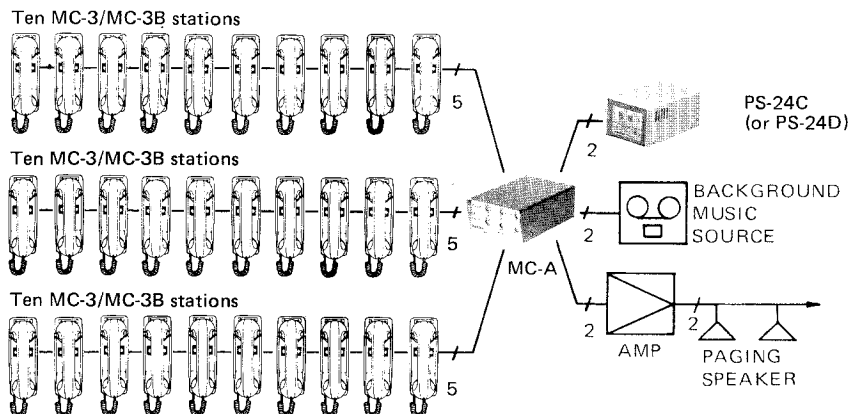
### FIVE PRONG CONNECTOR



# 5 WIRING DIAGRAM



**NOTE:** Be sure each block does not exceed ten MC-3/MC-3B stations. Up to three blocks (thirty MC-3/MC-3B stations) may be installed per system. Refer to the drawing below.



# 6

## OPERATION

### \* Calling;

Pick up handset, and depress either channel selector button red or green to reserve your channel. Then, page the desired party by pushing PAGE button in handset. When paging, state which channel to use.

### \* Receiving a call;

When paged to a specific channel, pick up handset and depress a selector button red or green whichever is illuminated. You are now connected to a calling party. When the conversation is concluded, hang up handset and the channel selector button self-cancels.

# 7

## SPECIFICATIONS

- \* Power source: DC 24V. Use an Aiphone's power supply PS-24C, UL/CSA approved (or PS-24D standard power supply available everywhere except in N. America).
- \* Current consumption: 30 mA maximum per station.
- \* Calling: By paging.
- \* Paging: Use a paging amplifier in conjunction with MC-A.
- \* Wiring: Five wires per station in parallel to each station block.
- \* Wiring distance: between MC-A to block of MC-3 stations;

AWG	24AWG	22AWG	20AWG	18AWG
Distance	1,000'	1,700'	2,500'	4,000'
Diameter	0.5 mm	0.65 mm	0.8 mm	1.0 mm
Distance	300 m	500 m	750 m	1,200 m

- \* Maximum number of stations: 30
- \* Maximum number of stations per block: 10
- \* Temperature range: 14°F ~ 131°F (-10°C ~ 55°C)
- \* Dimensions & weight:
  - MC-3; W: 90 mm (3-9/16") x H: 235 mm (9-1/4") x D: 105 mm (4-1/8");  
Approx. 600 g (1.3 lbs.)
  - MC-3B; W: 143 mm (5-5/8") x H: 102 mm (4-1/32") x D: 190 mm (7-1/2");  
Approx. 1,000 g (2.2 lbs.)

### WARRANTY

Aiphone warrants its products to be free from defects of material and workmanship under normal use and service for a period of one year after delivery to the ultimate user and will repair free of charge or replace at no charge, should it become defective upon which examination shall disclose to be defective and under warranty. Aiphone reserves unto itself the sole right to make the final decision whether there is a defect in materials and/or workmanship; and whether or not the product is within the warranty.

This warranty shall not apply to any Aiphone product which has been subject to misuse, neglect, accident, or to use in violation of instructions furnished, nor extended to units which have been repaired or altered outside of the factory.

This warranty does not cover batteries or damage caused by batteries used in connection with the product.

This warranty covers bench repairs only, and any repairs must be made at the shop or place designated in writing by Aiphone. Aiphone will not be responsible for any costs incurred involving on site service calls.

Aiphone Co., Ltd., Nagoya, Japan  
Aiphone Corporation, Bellevue, Washington



INTERCOM SYSTEMS  
**AIPHONE**  
HOME, BUSINESS, INDUSTRY

Printed in Japan (E)