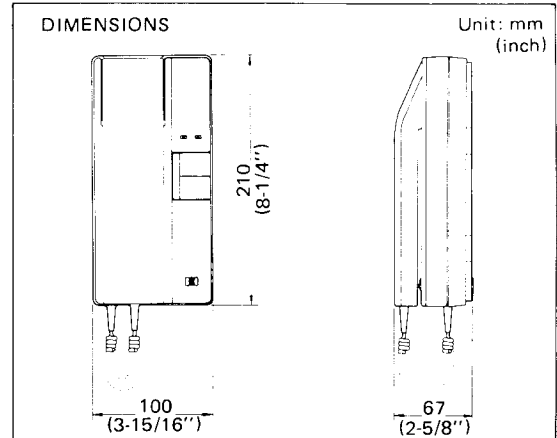
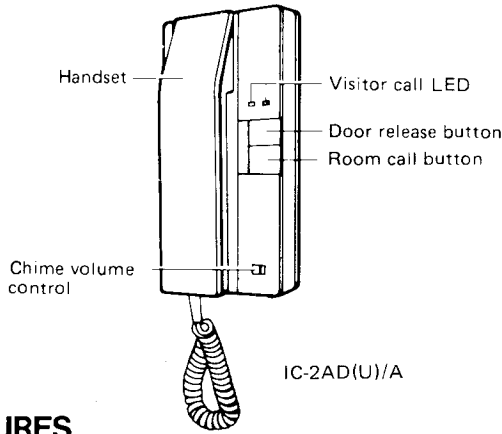


CHIME TONE INTERCOM

Type: 2 DOORS-3 ROOMS

MODEL: IC-2AD(U) TYPE A (AC12-16V, 50/60Hz, or DC12-24V)

— INSTRUCTIONS —



FEATURES

- * Simultaneous communication system for up to 2 door stations, 3 room stations and one door release.
- * Can be powered by a single bell transformer for both communication and door release.
- * **May be combined with MC-D/MC-U Video Intercom System (hanging up handset shuts off video monitor).**
- * Incoming call from door is announced by electronic chime (with volume control) and LED.
- * 4-stroke chime (DING-DONG, DING-DONG) from door station # 1, 2-stroke chime (DING-DONG) from door station # 2.
- * Simply pick up handset to reply, which automatically connects to a calling door station.
- * Call extension to announce a chime call from any door in a place remote from room station(s).
- * Chime call can be cut off at ICH-1CD/A sub room station, if desired.
- * **Can be used as video monitor system for up to 3 locations, using MCW-P3 adaptor.**

SPECIFICATIONS

- * Power source: IC-2AD(U)/A; May be powered by a bell transformer AC12-16V, 200mA or more OR a power supply DC 12-24V, 320mA or more.
- * Current consumption: 200 mA maximum (AC12-16V) 320 mA maximum (DC12-24V)
- * Wiring and communication distance: Single pair of wires (non-polarized) between IC-2AD(U)/A and door station.
6 wires between room stations (less 2 wires if door release is not required).
Refer to the chart below and select the proper wire gauge to meet your requirements;

Diameter of wire	0.5 mm	0.65 mm	0.8 mm	AWG	24 AWG	22 AWG	20 AWG
Door station -IC-2AD(U)/A	90 m	150 m	230 m	Door station -IC-2AD(U)/A	300'	500'	750'
IC-2AD(U)/A-ICH-1CD/A	45 m	75 m	115 m	IC-2AD(U)/A-ICH-1CD/A	150'	250'	380'

- * Door release: Use a door release EL-9S (AC12V, 250 mA) or of other manufacture, which does not exceed AC12-16V, 500 mA, when powered by a system's bell transformer.
- * Bell transformer for both communication and door release: AC12-16V, 450 mA or more (for EL-9S). AC12-16V, 700 mA or more (for other manufacture's).

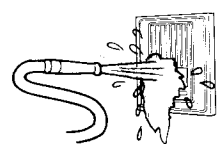
BEFORE YOU INSTALL AND OPERATE THE EQUIPMENT – Prohibitions and precautions –

- * Operation;
 1. **DO NOT HOLD HOOK SWITCH DOWN WHILE PICKING UP HANDSET. THE CHIME TONE SOUNDS THROUGH THE HANDSET RECEIVER ELEMENT AND COULD CAUSE HEARING DAMAGE.**
- * Installation;
 1. **DO NOT CONNECT ANY TERMINAL ON ANY UNIT TO AC POWER LINES.**
When you mount IC-2AD(U)/A in place of existing bell or chime, be sure to disconnect wires from the present transformer.
 2. **BE SURE TO DISCONNECT WIRES FROM BELL TRANSFORMER (OR POWER SUPPLY) BEFORE YOU OPEN THE IC-2AD(U)/A UNIT OR MAKE WIRING CONNECTIONS.**
 3. Avoid running the connecting wires through doors, windows or between furniture, which may pinch and disconnect the wires.
 4. IC-2AD(U)/A equipment must be installed in as dry and dust-free environment as possible.
- * Maintenance;
 1. Clean your IC-2AD(U)/A equipment with a soft cloth dampened with neutral household cleanser. Never use thinner nor benzine, etc.
 2. Do not splash water on the door station by hose, etc.

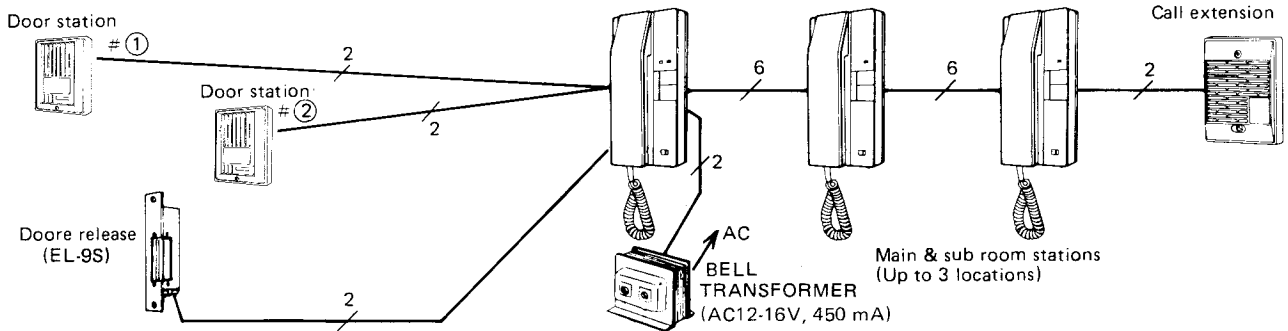
NEVER



NEVER



SYSTEM LAYOUT



A SINGLE BELL TRANSFORMER CAN SUPPLY POWER FOR BOTH COMMUNICATION AND DOOR RELEASE (EL-9S).

COMPONENTS AVAILABLE

* Room stations:



IC-2AD(U)/A: Main room station.
Desk/wall mount.



ICH-1CD/A: Sub room station.
Desk/wall mount
(up to 2 units per system).

* Door stations: Select either type from the IC/ID series door stations:

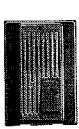


ID-DA With plastic & anodized aluminum cover, surface mount.

ID-NC — do —, semi-flush mount.

IC-DC With plastic cover, surface mount. (*)

IC-NA — do —, semi-flush mount.



ID-DA

ID-NC

IC-RA With metal cover, semi-flush mount.

IC-KA — do —, semi-flush mount.

IC-JA With stainless steel cover, flush-mount.

IC-FY With aluminum cover, flush-mount. (*)

IC-DA-R With plastic cover, surface mount.



IC-D1 With anodized aluminum panel, surface mount, 1-call. (*)

IC-D2 — do —, 2-call. (*)

IC-D3 — do —, 3-call. (*)



IC-D1

IC-DL1 — do —, 1-call, with illumination lamp.

IC-DL2 — do —, 2-call.

IC-DL3 — do —, 3-call.



IC-D2

(*) Not available in U.S.A.

* Options:



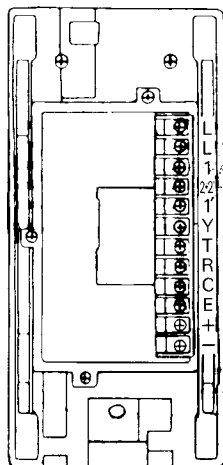
ICR-1: Call extension.
Announces a call from door by chime in a place remote from IC-2AD(U)/A (one per system).



EL-9S: Electric door release.
AC12V, 250 mA. May be powered by a system's bell transformer (one per system).

Note: Your IC-2AD(U)/A unit can also work with the existing models: IB-DA, IB-NA, IB-RA, IB-RAG, IB-JA, IB-FY and IBR-1/A.

ACTUAL TERMINAL LOCATION



IC-2AD(U)/A
BACK VIEW



: For electric door release.



: Connect to door station #1 (non-polarized)



: Connect to door station #2 (non-polarized)



: Used only when MCW-P3, 3-camera adaptor is used.



: For transmitting.



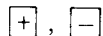
: For receiving.



: For receiving call signal.



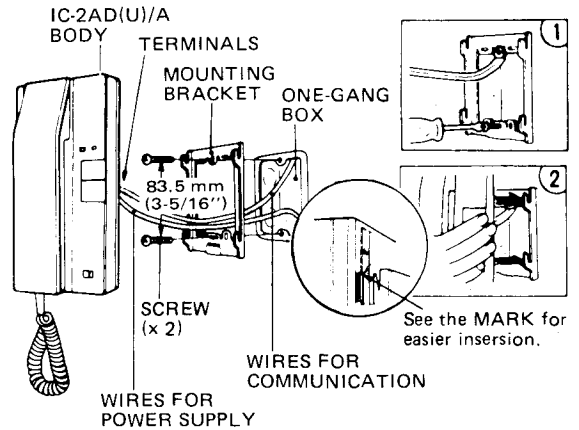
: For common line.



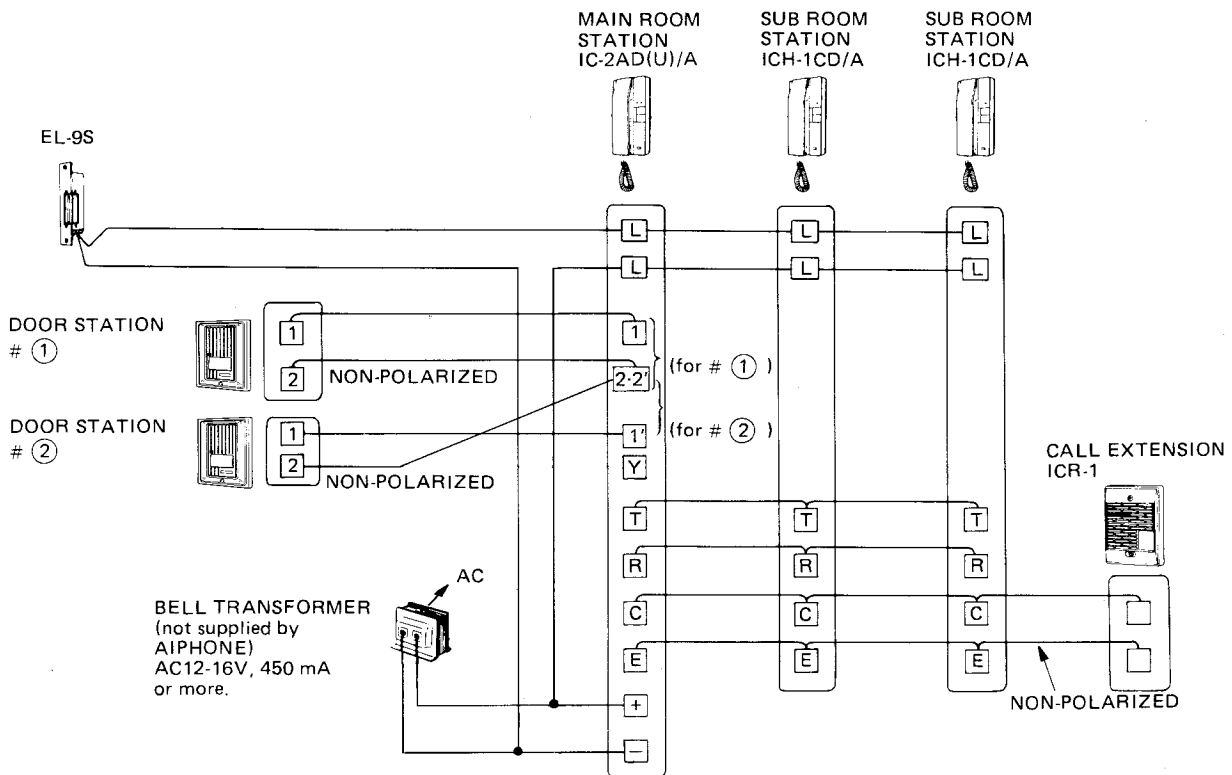
: For power supply.

WALL MOUNTING INSTALLATION

Attach the mounting bracket to wall or one-gang box. Insert the prongs of the bracket into the holes of the body and pull the body downward. Be careful not to attach the bracket upside down.



WIRING DIAGRAM

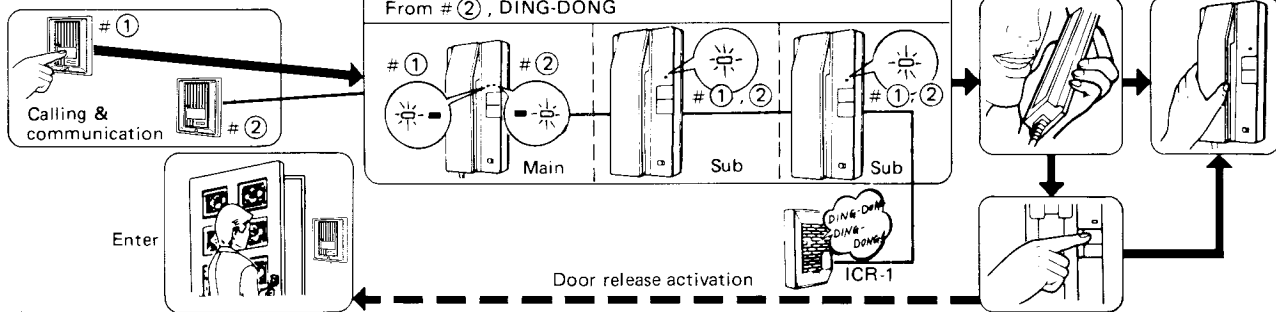


NOTES:

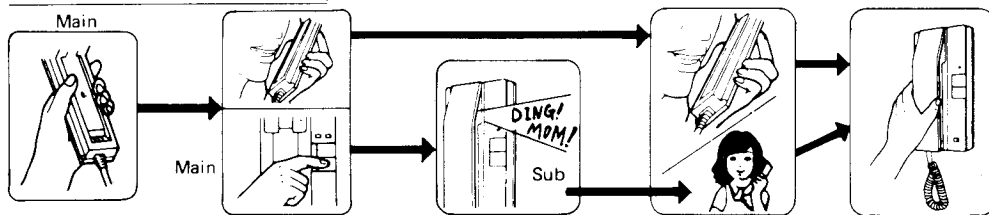
- (1) Door station; Wiring is non-polarized. Connect either terminal **1** or **2-2'** on IC-2AD(U)/A to either terminal **1** or **2** on each door station.
- (2) Door release; As shown in the above diagram, EL-9S can be powered by a system bell transformer.
- (3) Call extension; Wiring is non-polarized. Extend one pair of wires from ICR-1 to either IC-2AD(U)/A or ICH-1CD/A.
- (4) Bell transformer; It is suggested that the bell transformer should be located close to the IC-2AD(U)/A station.
Connect either output wire on bell transformer AC12-16V to either terminal **+** or **-** on IC-2AD(U)/A.
Note: When using a power supply (DC12-24V), observe polarity carefully.

OPERATIONS

Door stations;



Room-to-room communication;



* For a system with MCW-P3, refer to the Instructions packed with MCW-P3 unit.

1. Communication:

At door station: Momentarily depress CALL button. After room station replies, talk handsfree.

At room station: Incoming call is announced by electronic chime tone and LED at all the room stations and at ICR-1, if installed.

* 4-stroke chime & illuminated LED (left) when called by door station # 1.

* 2-stroke chime & illuminated LED (right) when called by door station # 2.

To reply, simply pick up handset at any room station while LED is lit. After communication, hang up handset onto its cradle properly.

2. To operate electric door release:

Depress and hold door release button on your room station.

The visitor may open the door while buzzing sound is heard.

3. Room-to-room communication:

(a) Calling from IC-2AD(U)/A; Pick up handset and call by voice depressing ROOM CALL button. The sub room stations receive a call with pre-tone and voice.

Calling from ICH-1CD/A; Pick up handset and call by tone depressing ROOM CALL button. It is recommended to determine in advance the call signal for each room station.

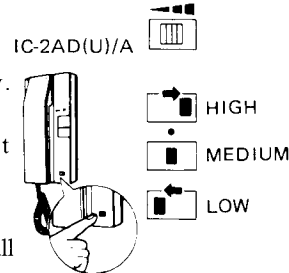
Example; ■■■ ■■■ to call room #1, ■ ■ ■ ■ ■ to call room #2, ■ ● ■ ■ ■ to call room #3.

(b) When called by other room station:

To reply, simply pick up handset. After communication, hang up handset onto its cradle properly.

(c) When called by door station during internal communication:

Incoming call is announced by chime tone softly through your handset receiver. Hang up handset at both stations and visitor call LED illuminates. To reply, repick up handset at either station.



4. Adjusting chime volume:

Adjust chime call volume to 3 levels as desired by the switch on IC-2AD(U)/A while chime call volume at ICR-1 remains unchanged. Chime call at ICH-1CD/A can be cut off, if desired.

WARRANTY

Aiphone warrants its products to be free from defects of material and workmanship under normal use and service for a period of one year after delivery to the ultimate user and will repair free of charge or replace at no charge, should it become defective upon which examination shall disclose to be defective and under warranty. Aiphone reserves unto itself the sole right to make the final decision whether there is a defect in materials and/or workmanship; and whether or not the product is within the warranty.

This warranty shall not apply to any Aiphone product which has been subject to misuse, neglect, accident, or to use in violation of instructions furnished, nor extended to units which have been repaired or altered outside of the factory.

This warranty does not cover batteries or damage caused by batteries used in connection with the product.

This warranty covers bench repairs only, and any repairs must be made at the shop or place designated in writing by Aiphone. Aiphone will not be responsible for any costs incurred involving on site service calls.

Aiphone Co., Ltd., Nagoya, Japan
Aiphone Corporation, Bellevue, Washington

INTERCOM SYSTEMS

AIPHONE
HOME, BUSINESS, INDUSTRY

Printed in Japan (E)