

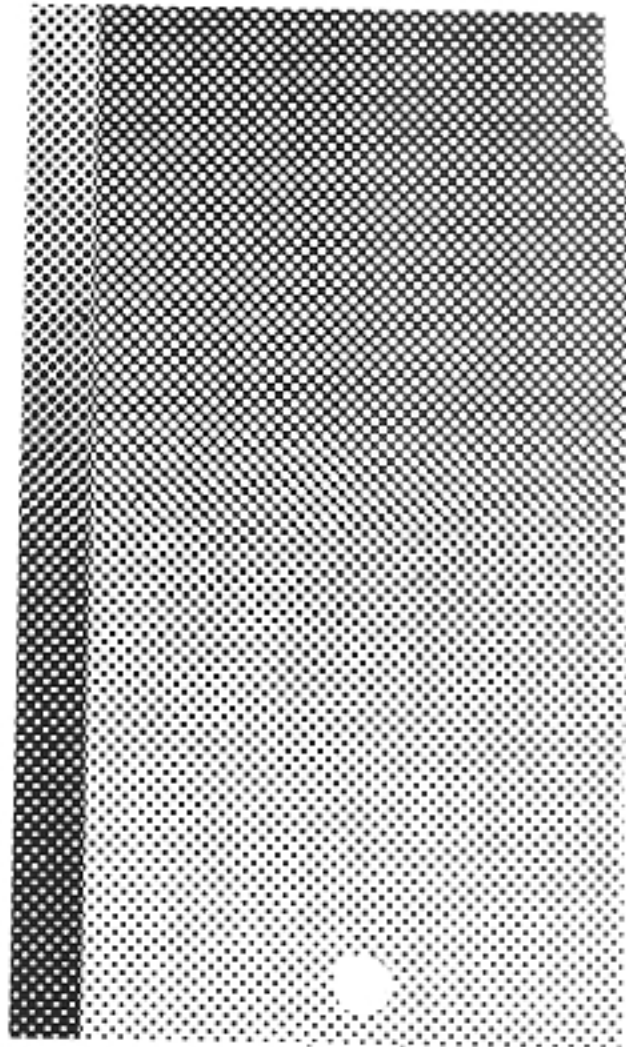


999-300-2591S

AT&T UNIX™ PC

Model 3B/1

Hardware Installation Guide



Contents

©1986 AT&T
All Rights Reserved
Printed in USA

NOTICE

The information in this document is subject to change without notice. AT&T assumes no responsibility for any errors that may appear in this document.

Introduction	1
--------------	---

Unpacking the UNIX PC Before You Begin	3
Unpacking the Shipping Carton	3
Unpacking the Keyboard Box	4
Checking Your Equipment	6
	7

Installing the UNIX PC Hardware	9
Installing the Mouse	9
Installing the Keyboard	10
Attaching the Power Cord	12
Attaching Your Telephone	13
Removing the Floppy Shipping Card	15
Adjusting the Screen Brightness	16
Positioning the Console Screen	17
What Next?	18

Introduction

This AT&T UNIX™ PC Hardware Installation Guide shows you how to unpack and set up your AT&T UNIX PC Model 3B1 computer. You do not need any tools or any special computer experience to follow the instructions. You will be shown everything you need to know.

This Hardware Installation Guide is divided into the following sections:

- o **Unpacking the UNIX PC**
This section shows you how to unpack the UNIX PC shipping carton and prepare the UNIX PC for installation.
- o **Installing the UNIX PC Hardware**
This section shows you how to connect the parts of your UNIX PC together and prepare the UNIX PC for software installation.

Note

Save your packing materials and this Hardware Installation Guide. You will find them very useful if you ever need to re-pack your system, or update your system software.

This section of the Hardware Installation Guide shows you how to unpack the UNIX PC shipping carton. You may find it easier if you have someone help you move the shipping carton and unpack the UNIX PC.

Before You Begin

Before you begin to unpack the shipping carton, you should position the shipping carton on the floor or on a large table near the work area or desk where you plan to place the UNIX PC. You should also make sure you have enough space to place the UNIX PC on your desktop or work area.

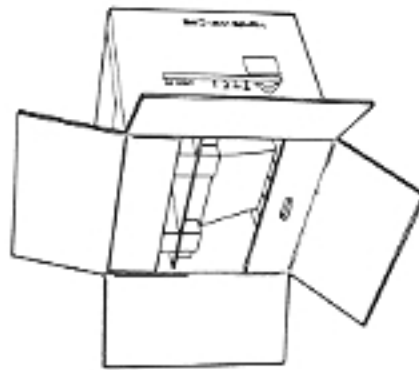
The UNIX PC is approximately 20 inches high by 18 inches deep by 18 inches wide. Make sure you:

- o Place the UNIX PC at least 2 inches from the nearest wall or shelf.
- o Place the UNIX PC near your telephone wall jack.
- o Place the UNIX PC near a three-hole grounded wall socket.

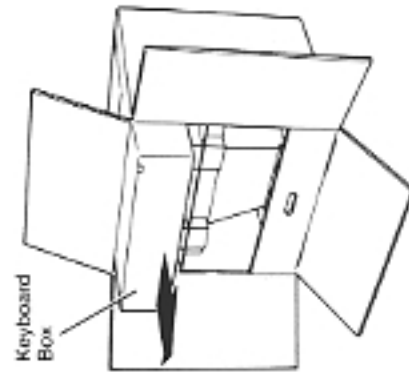
Unpacking the Shipping Carton

To unpack the UNIX PC shipping carton:

- 1 Place the shipping carton as shown in the following illustration:

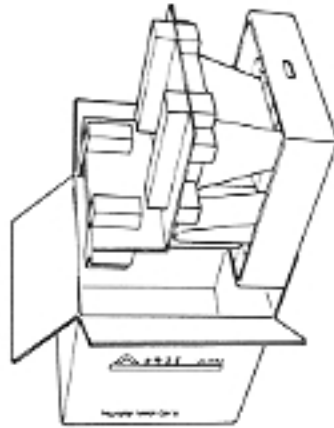


- 2 Pull out the cardboard box that contains the keyboard and accessories, and set it aside.

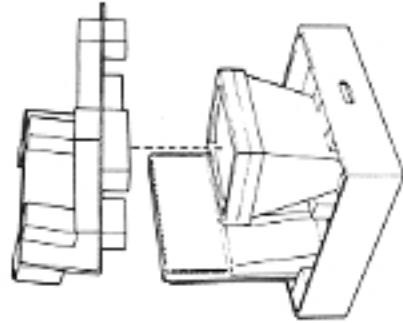


- 3 Slide the UNIX PC main unit out of the shipping carton as shown below.

You may find it easier if one person holds the box while the other pulls the UNIX PC main unit out of the shipping carton.



- 4 Remove the packing foam from the UNIX PC main unit.



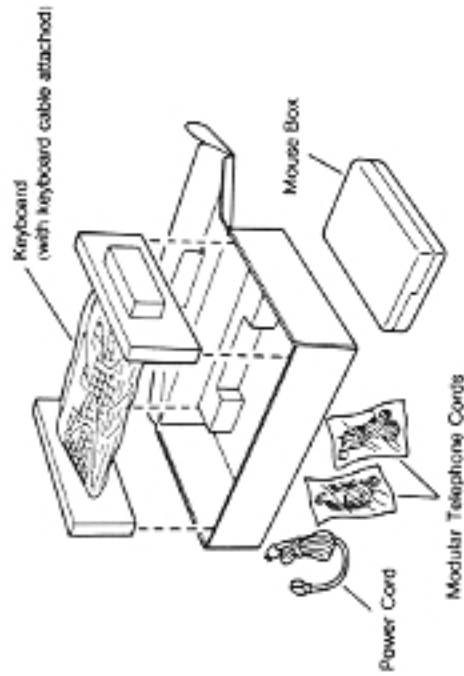
- 5 Lift the UNIX PC main unit off the cardboard and foam and set the unit on your desk or work area.

- 6 Place all the shipping foam back into the shipping carton.

Unpacking the Keyboard Box

To unpack the keyboard box:

- 1 Open the cardboard box by placing your fingers into the finger tabs and lifting up.



- 2 Lift the keyboard out of the cardboard box.
- 3 Remove the packing from the sides of the keyboard and remove the plastic cover.
- 4 Remove the two modular telephone cords and the black power cord and set them aside.
- 5 Remove the styrofoam box that contains your mouse and set it aside.
- 6 Place the packing materials back in the cardboard box, and then place the cardboard box back inside the shipping carton.

Checking Your Equipment

After replacing all of your shipping foam and packing back into the shipping carton, gather all your equipment and accessories in one location. Use the following checklist to make sure you have all the required equipment:

- UNIX PC Main Unit
- UNIX PC Keyboard and Attached Cord
- Styrofoam Mouse Box
Open the styrofoam container to make sure it contains the mouse and a tracking ball.
- Black power cord
- Two modular telephone cords sealed in plastic.

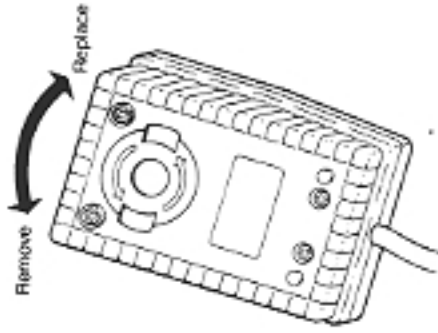
If you are missing any of the equipment, contact your authorized AT&T computer dealer or, if purchased directly from AT&T Information Systems, your AT&T Account Executive.

Installing the UNIX PC Hardware

This section of the Hardware Installation Guide shows you how to set up your UNIX PC hardware.

Installing the Mouse

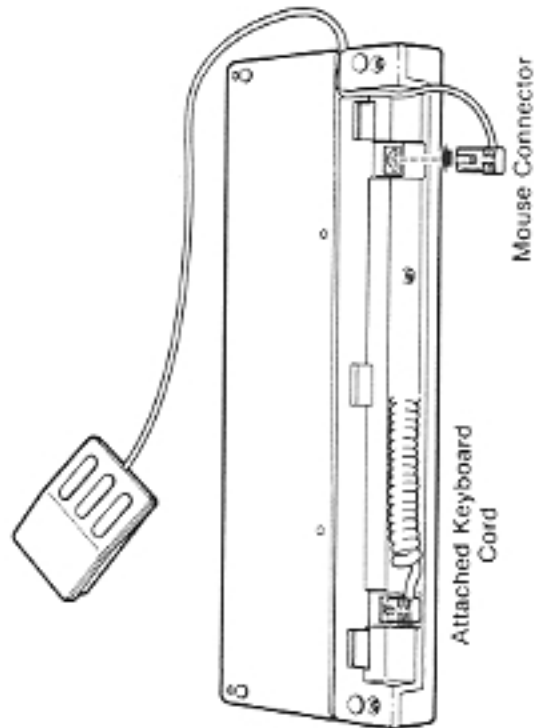
- 1 Take the mouse out of the styrofoam box.
- 2 Turn the mouse over and remove the ball cover latch as shown below:



- 3 Remove the black tracking ball from the styrofoam box and place it in the socket on the underside of the mouse.
- 4 Replace the ball cover latch as shown in the previous illustration.

Installing the Keyboard

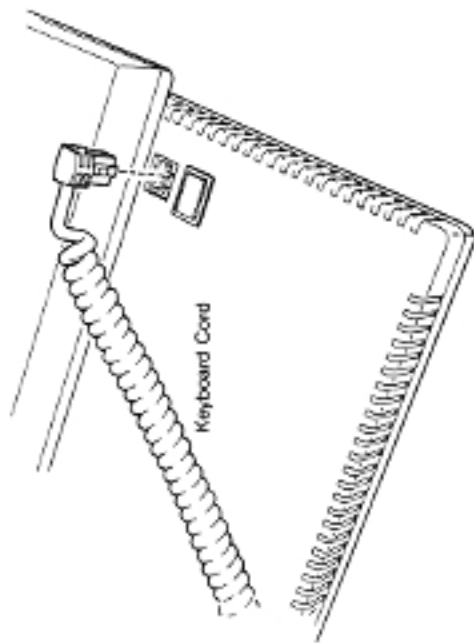
- 1 Locate your keyboard.
- 2 Look at the keyboard cord on the back of the keyboard. Notice that one end of the cord is attached to the keyboard.
- 3 Turn your keyboard upside-down and attach the mouse cord as shown in the following illustration:

**Note**

The previous illustration shows you how to route the mouse cord through the slot on the right side of the keyboard. You can also route the mouse cord through the slot across the bottom of the keyboard to the left. This may be more convenient for left-handed users.

- 4 Turn the keyboard over.

- 5 Plug the loose end of the keyboard cord into the socket located in the upper right-hand corner of the keyboard storage pad, as shown in the following illustration:

**Caution**

Do not unplug the keyboard or mouse cord when POWER IS ON. Doing so may cause an interruption in operation and require you to reset the system.