



**AT&T**

**Users Guide  
470/471, 475/476  
Printers**

999-700-3031S  
Issue 2, November 1984  
Printed in Japan

## Ordering Information

Additional copies of this document may be ordered as follows:

### Customers

**By Calling:**  
800-432-6600 (for price quote—All orders shipped on prepaid basis)

### By writing:

AT&T Customer Information Center  
Commercial Sales Representative  
P.O. Box 19901  
Indianapolis, IN 46219

(Orders are acknowledged with a written price quote. All orders are shipped on a prepaid basis.)

### AT&T Information Systems Sales

**By calling the AT&T Information Systems Sales  
Hotline—800-526-0735**

## Preface

This User Guide provides information on the installation, general operation, and routine maintenance of the 470/471 and 475/476 dot matrix printers.

The specific operation of the 470/471 and 475/476 printers is dependent on the system application and is not covered in this manual. For instructions on operating your printer with a computer or workstation, refer to the applicable user manual. For details on how to service this printer, refer to Sections 3 through 8 of this Manual.

This user guide is arranged as follows:

### Chapter 1—Introduction

This chapter describes the 470/471 and 475/476 dot matrix printers.

### Chapter 2—Installation Procedures

This chapter provides installation procedures for the printer.

### Chapter 3—Printer Operation

This chapter discusses general operating procedures for the printer.

### Chapter 4—Routine Maintenance

This chapter covers routine maintenance procedures for the printer.

### Appendix A—470/471 and 475/476 Printer Specifications

### Appendix B—470/471 and 475/476 Printer Character Set

### Appendix C—470/471 and 475/476 Printer Command Set

### Appendix D—470/471 Printer Connector Pin Assignments

### Appendix E—475/476 Printer Connector Pin Assignments

### Appendix F—475/476 DIP Switch Function List (Serial Data)

# Table of Contents

Chapter 1/ Introduction	Chapter 4/ Routine Maintenance
The 470/471 and 475/476 Printers . . . . .	Introduction . . . . .
1-1	4-1
Chapter 2/ Installation	Cleaning Procedures . . . . .
Introduction . . . . .	4-1
2-1	Replacing The Printhead . . . . .
Unpacking The Printer . . . . .	4-2
2-1	Replacing The Fuse . . . . .
Installing The Ribbon Cassette . . . . .	4-5
2-3	
Loading Paper . . . . .	Appendix A/ 470/471 And 475/476 Printer Specifications . . . . .
2-4	A-1
Installing Pin Feed Paper (Fan Folded) . . . . .	Appendix B/ 470/471 And 475/476 Printer Character Sets . . . . .
2-4	B-1
Installing Friction Feed Paper (Cut Sheet Operation) . . . . .	Appendix C/ 470/471 And 475/476 Printer Command Set . . . . .
2-7	C-1
Adjusting For Paper Thickness . . . . .	
2-8	Appendix D/ 470/471 Printer Connector Pin Assignments . . . . .
Testing The Printer . . . . .	D-1
2-9	
Connecting The Printer To Your Computer or Workstation . . . . .	Appendix E/ 475/476 Printer Connector Pin Assignments . . . . .
2-10	E-1
Chapter 3/ Printer Operation	Appendix F/ 475/476 DIP Switch Function List (Serial Data) . . . . .
Introduction . . . . .	F-1
3-1	
470/471 and 475/476 Printer Operating Indicators And Switches . . . . .	
3-1	
470/471 and 475/476Printer DIP Switches3-3	
Troubleshooting The Printer . . . . .	
3-11	

## Chapter 1/Introduction

The 470/471/475 and 476 printers are lightweight desk top dot matrix serial impact printers that print a maximum of 120 characters per second, at 10 characters per inch. The 470/475 can print up to 80 characters per line (Up to 132 characters for compressed printing). The 471/476 can print up to 132 char/line (Up to 218 characters for compressed printing). The printers use fan-folded sprocket paper or single sheet paper and a black inked ribbon cartridge.

The printer connects to your computer or workstation via an interface connector:

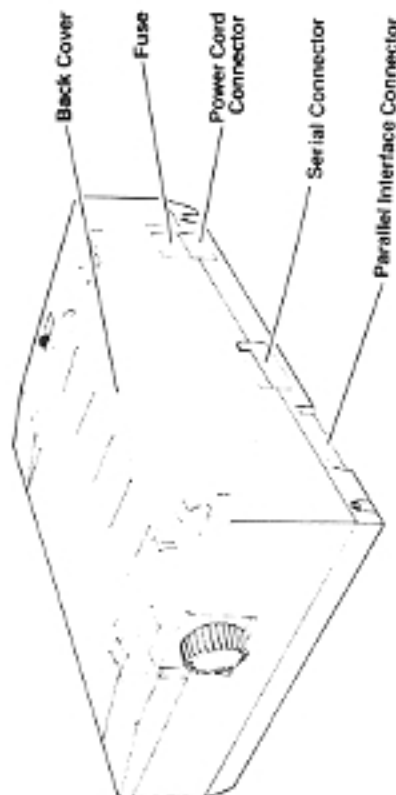
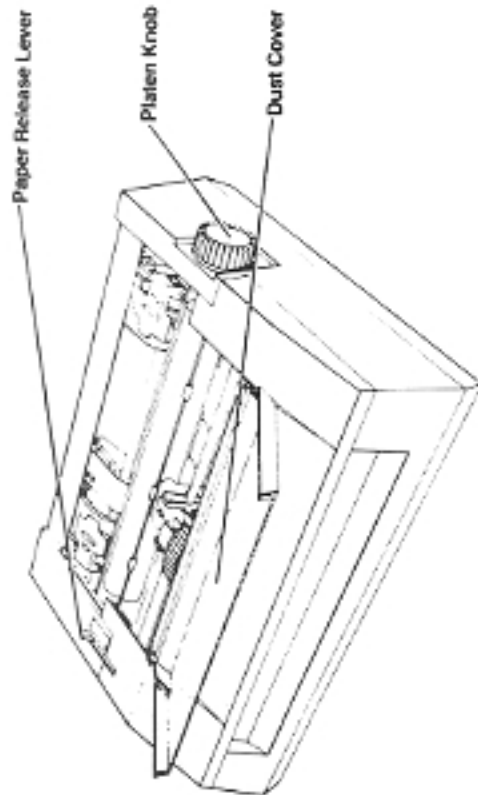
**If you have a 470/471 printer, your printer uses a Centronics Parallel Interface connector.**

**If you have a 475/476 printer, your printer uses an EIA RS232-C Serial Interface connector.**

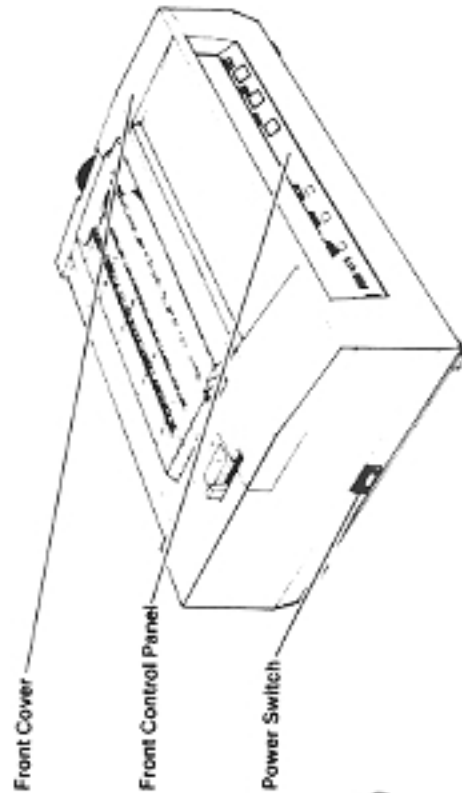
If you are uncertain as to which of the printers you have, simply look at the front left side of the printer. The identifying model number or product name is shown to the right side of the AT&T logo.

### THE 470/471/475 AND 476 PRINTER

Before you begin to set up your printer, take a moment to familiarize yourself with the main parts.



**CAUTION:** Do not make any connections to AC Power or to your computer or workstation until Installation and Testing instructions have been followed.



## Chapter 2/Installation

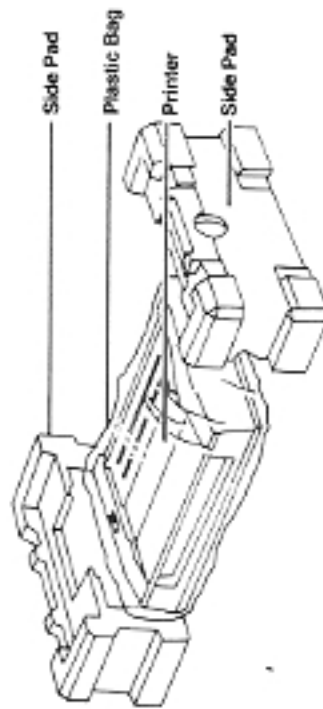
### INTRODUCTION

This chapter presents installation procedures for the 470/471/475 and 476 printers. You will learn how to remove the printer from its shipping carton, install the ribbon cassette, load paper, run a self-test to verify that it is operating correctly, and connect it to your computer or workstation.

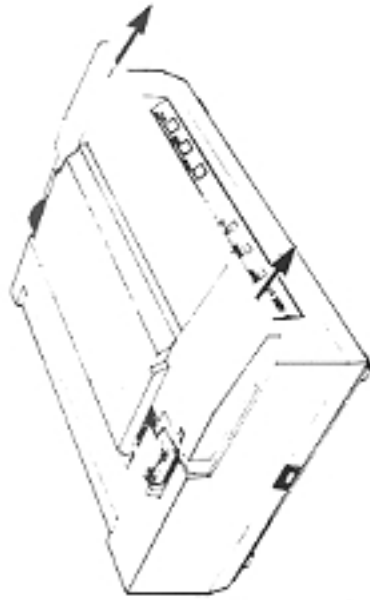
### UNPACKING THE PRINTER

Remove your printer from its shipping carton as follows:

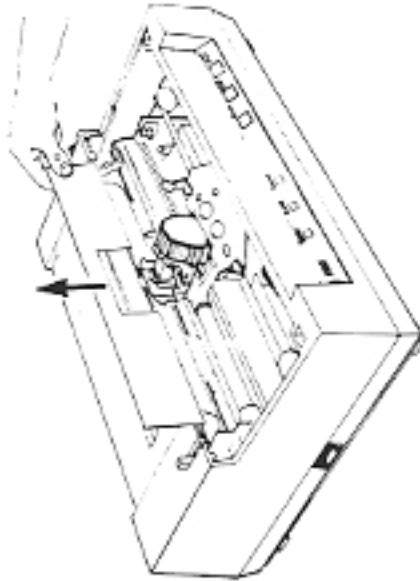
1. Remove the ribbon cassette, power supply cord, and the interface cable from the cardboard tray.
2. Lift the cardboard tray out of the carton.
3. Carefully remove the printer from the carton using both hands. Remove the styrofoam sides; DO NOT lift the printer by the knob on the side.
4. Carefully remove the clear plastic bag from the printer.
5. Remove the blue cellophane protecting the top cover.



6. Remove the front top cover.



7. Remove the cardboard printhead retainer.



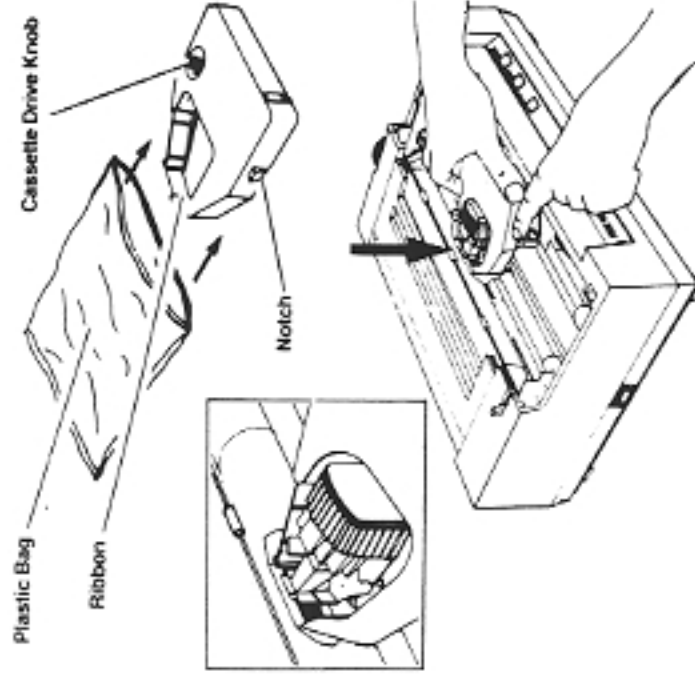
8. Move the carriage by hand and make sure it moves freely from left to right and right to left. You are now ready to set up the printer.

**CAUTION:** Make sure the printer's AC power cord is not connected. Do not plug in the power cord and switch on the printer until Installation and Testing instructions have been followed.

## INSTALLING THE RIBBON CASSETTE

Install the ribbon cassette as follows:

1. Remove the front top cover.
2. Remove the ribbon cassette from its wrapper. Turn the cassette drive knob in the direction of the arrow (clockwise) to take up slack in the ribbon.



3. Holding the cassette, carefully insert the ribbon end behind the ribbon guide plate and push the cassette down on the ribbon deck until it snaps into place—you will hear it click.
4. After the ribbon cassette is firmly in place, turn the cassette drive knob in a clockwise direction to make sure the cassette and ribbon drive gears are locked together properly.
5. Replace the front top cover.

To order additional ribbon cassettes, see "Ordering Supplies" on page 4-6.